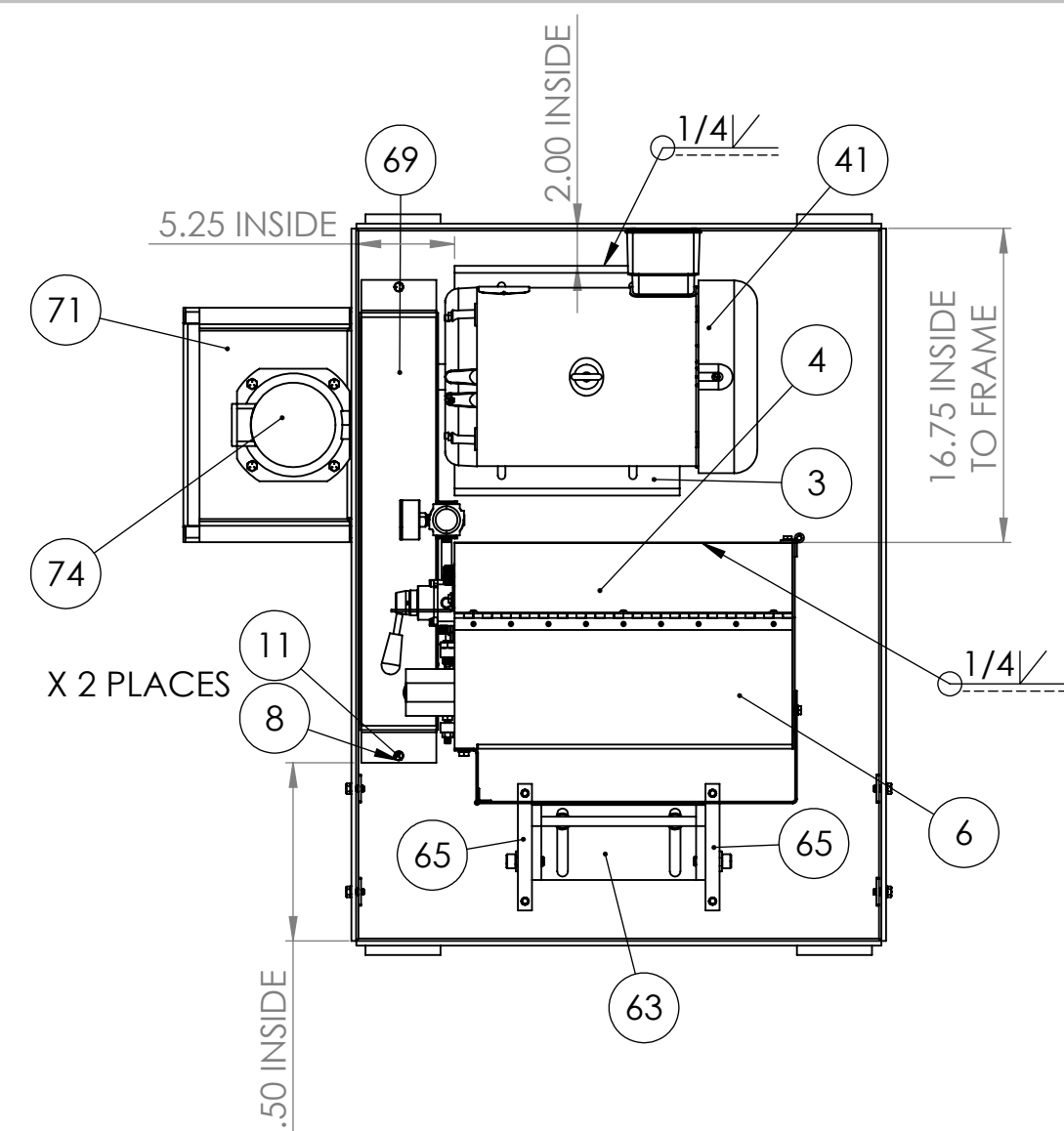
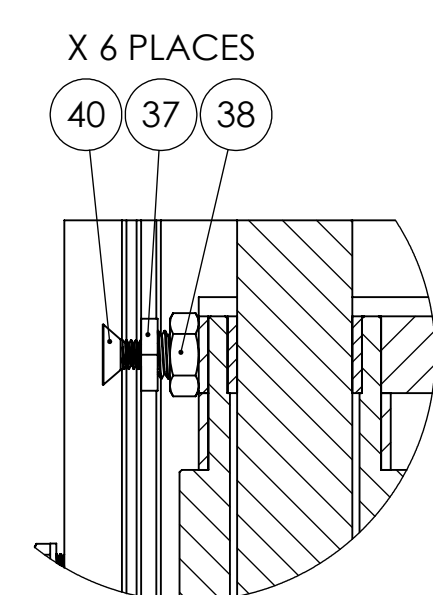


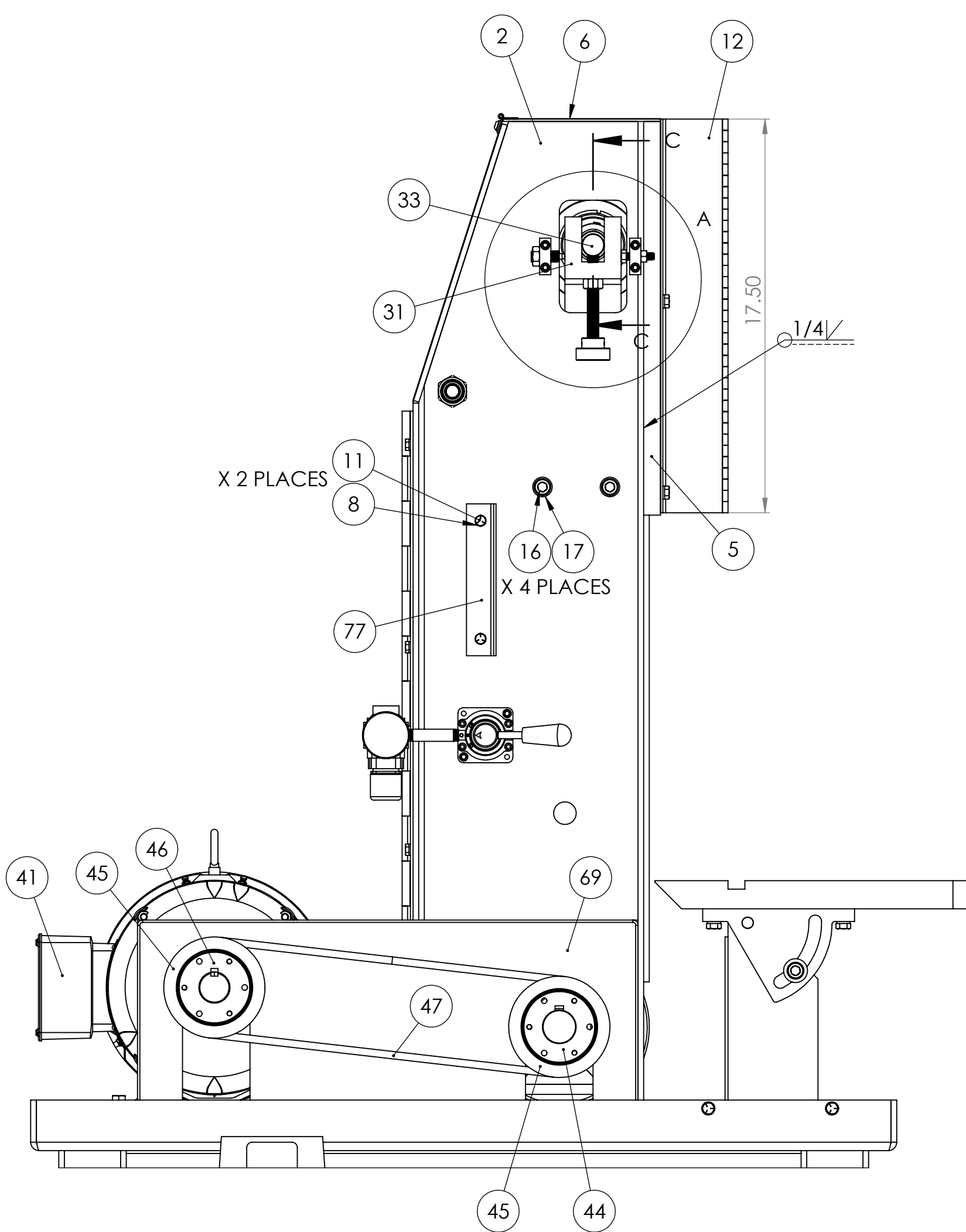
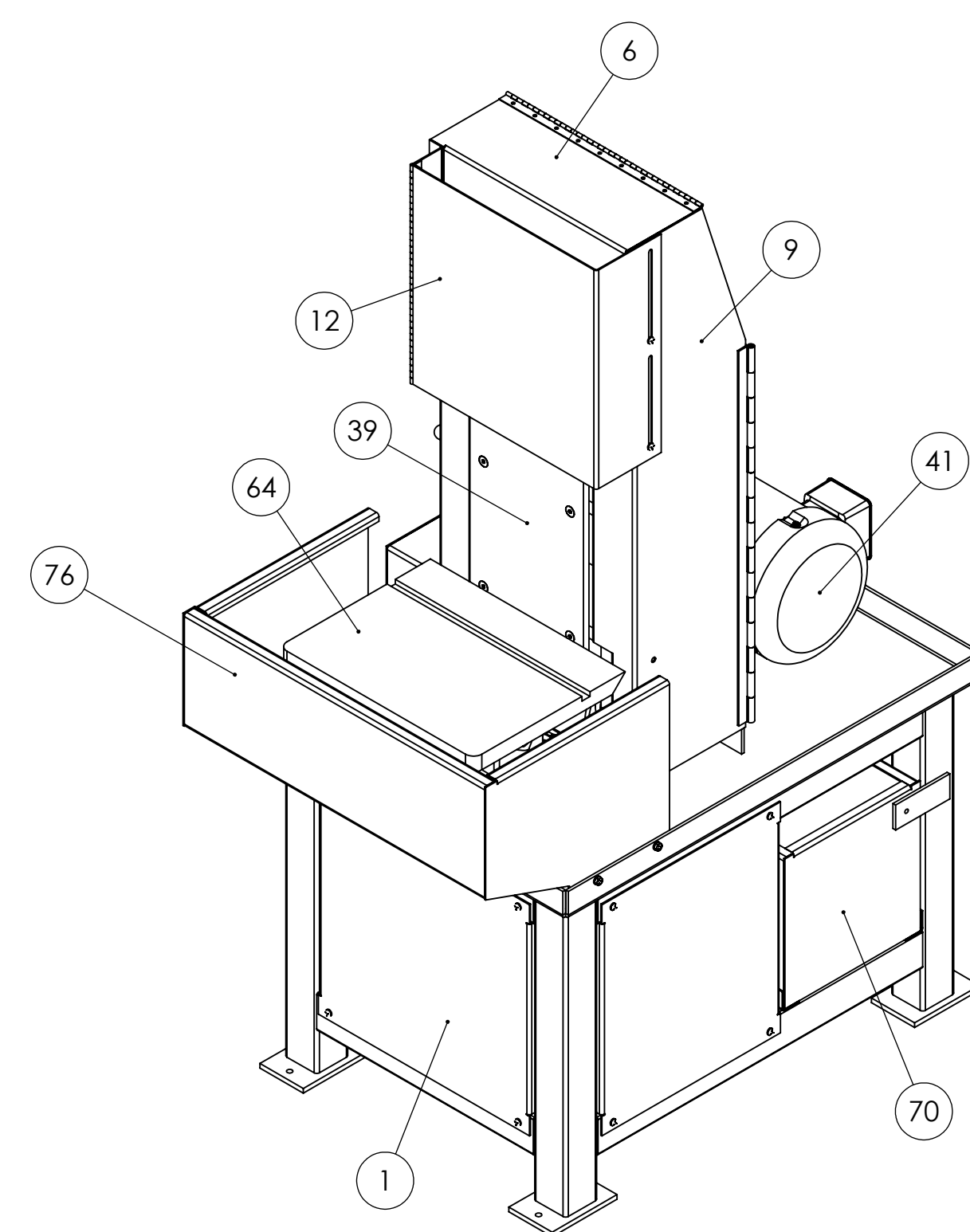
DETAIL A  
TRACKING DETAILS



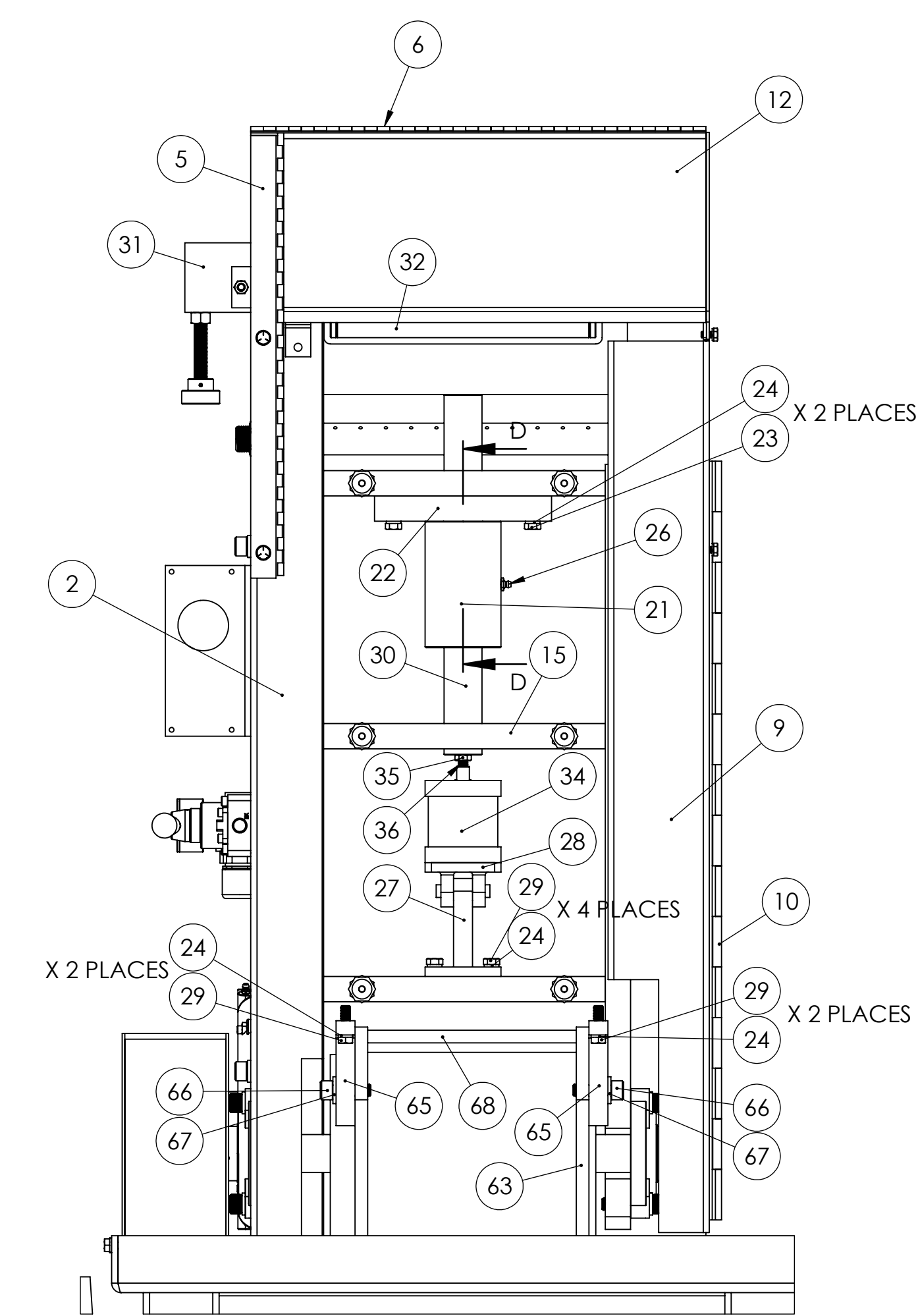
FLOOR PAN, MAIN FRAME  
AND MOTOR MOUNT WELDING  
LAYOUT



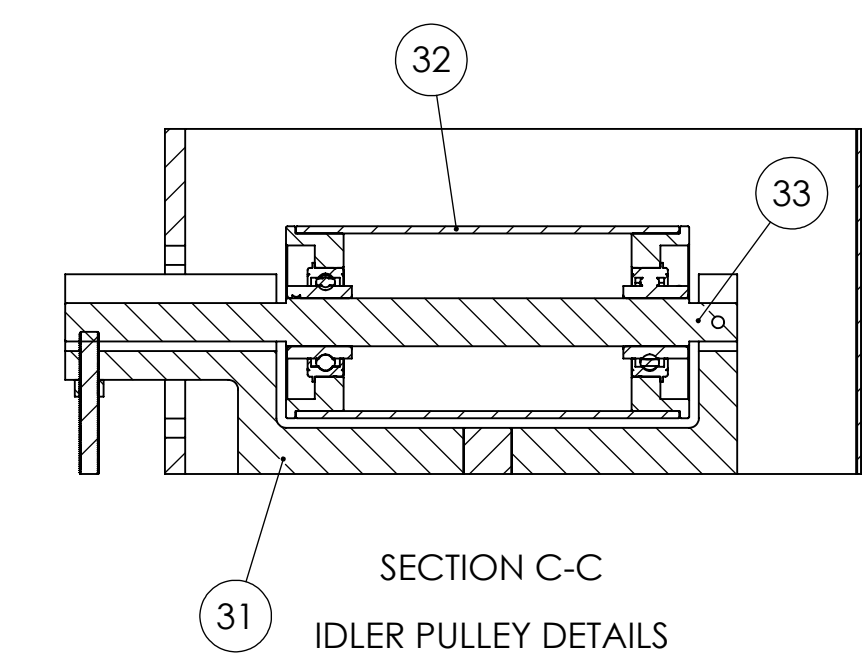
DETAIL E  
SCALE 2 : 5  
PLATEN LEVELING  
DETAILS



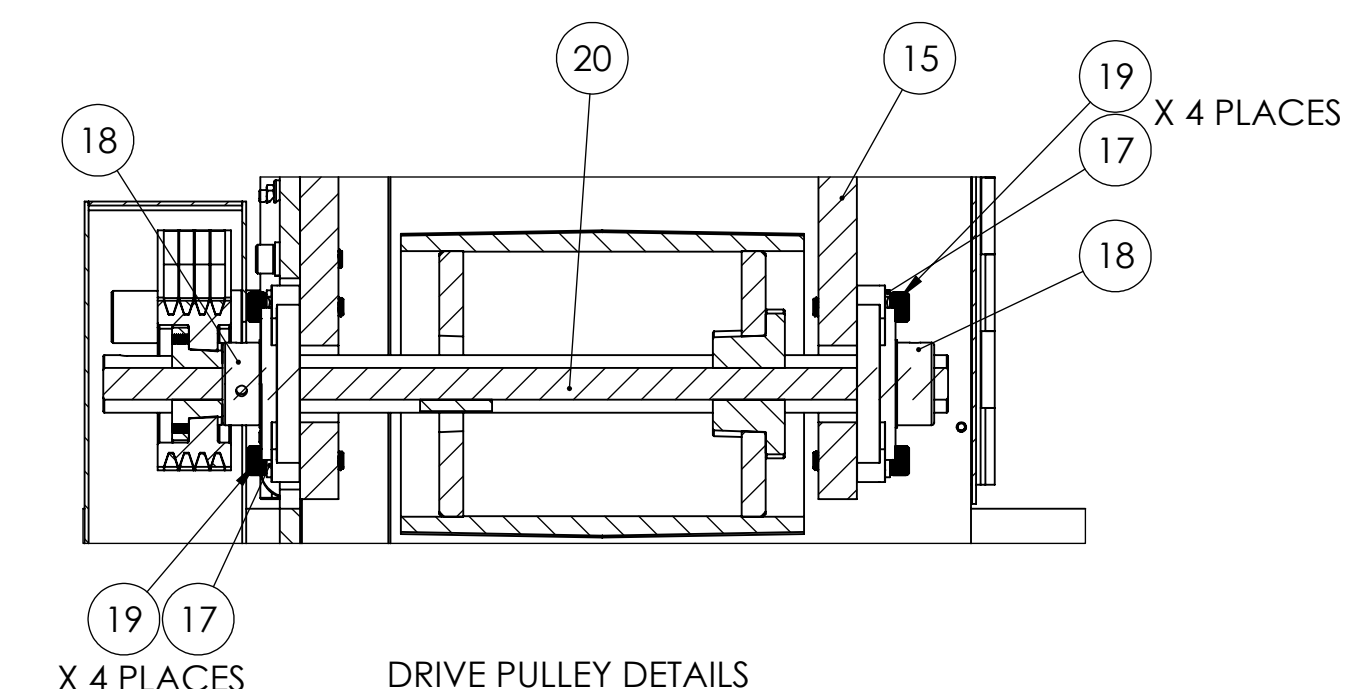
INTERIOR VIEW OF  
BELTS AND PULLEYS



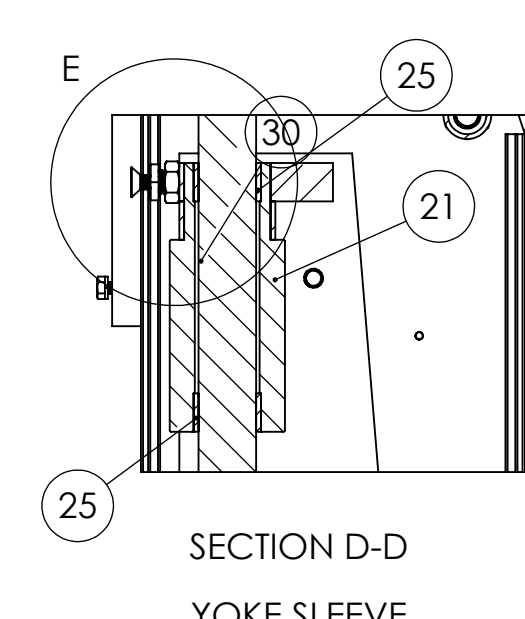
INTERIOR FRONT VIEW  
OF MAIN FRAME



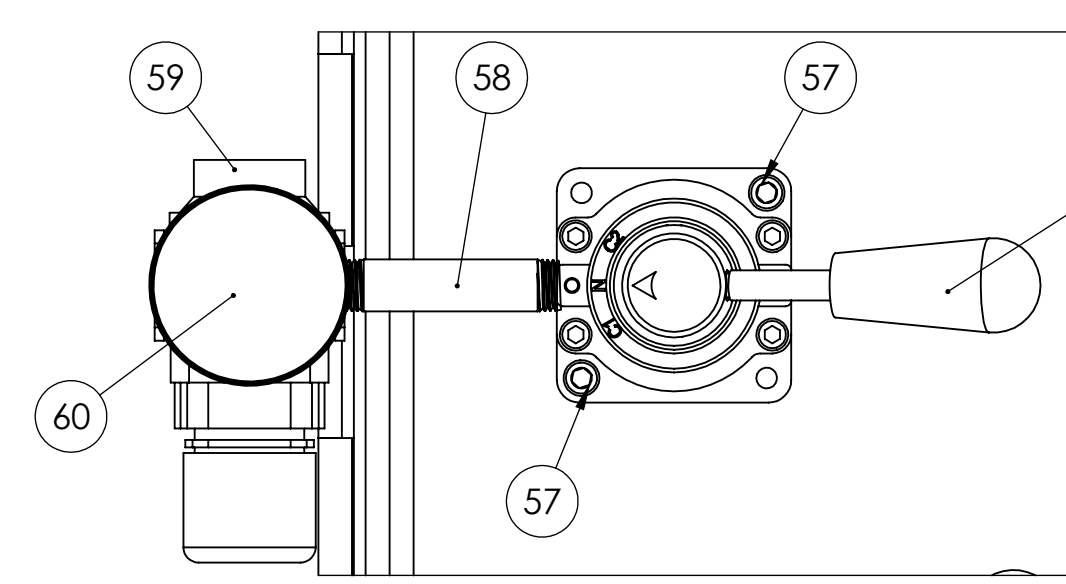
SECTION C-C  
IDLER PULLEY DETAILS



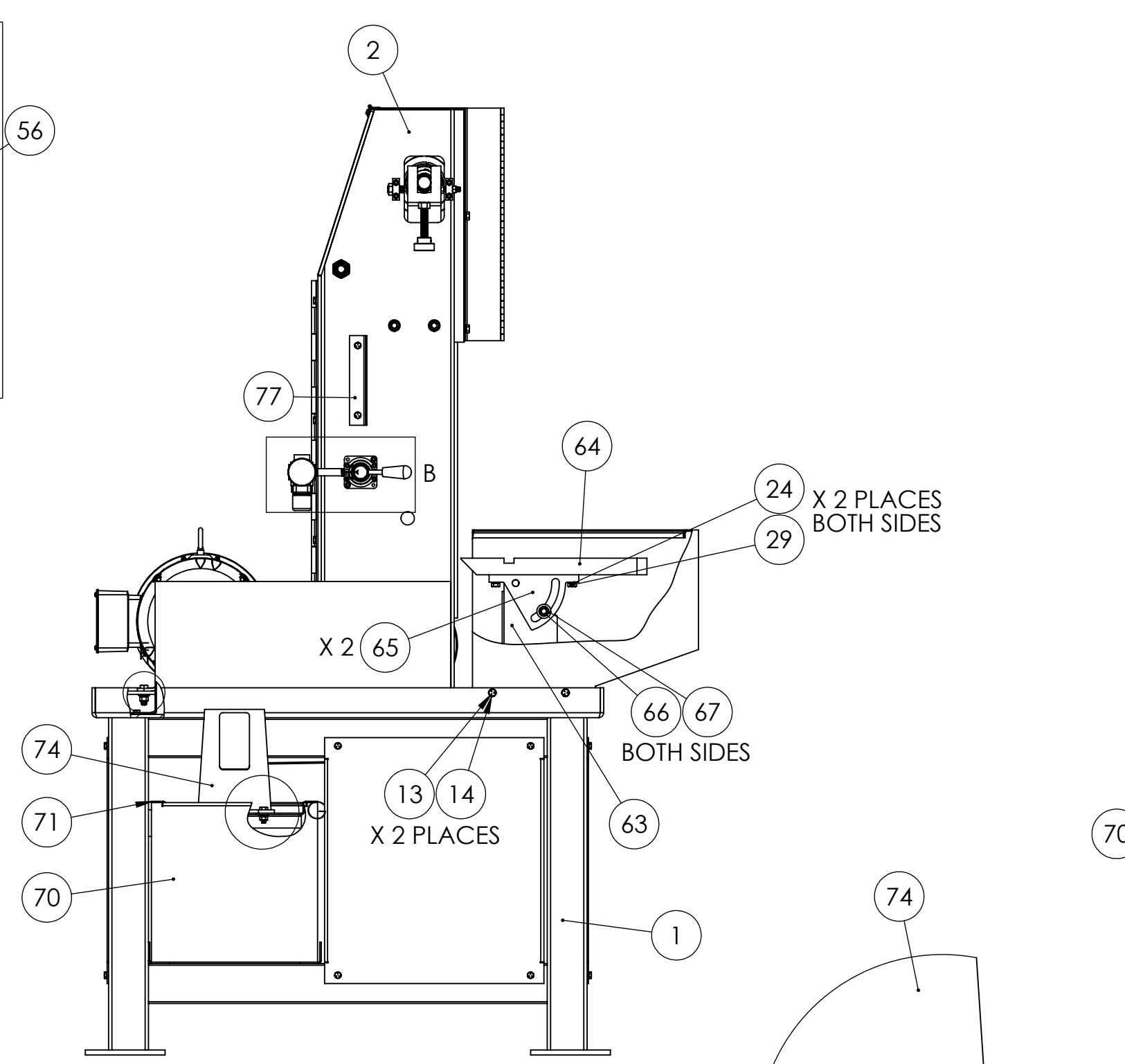
X 4 PLACES  
DRIVE PULLEY DETAILS



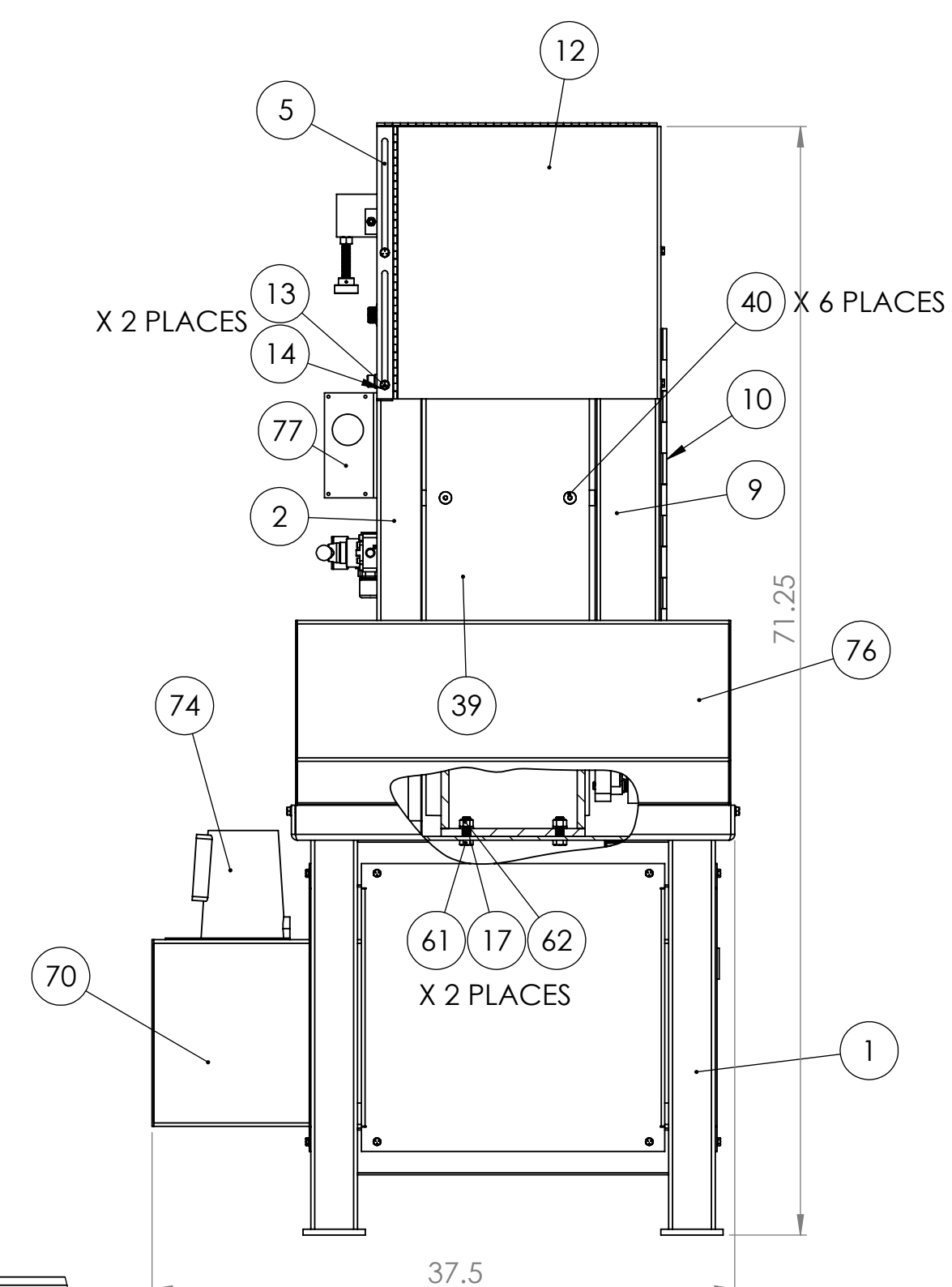
SECTION D-D  
YOKE SLEEVE  
DETAILS



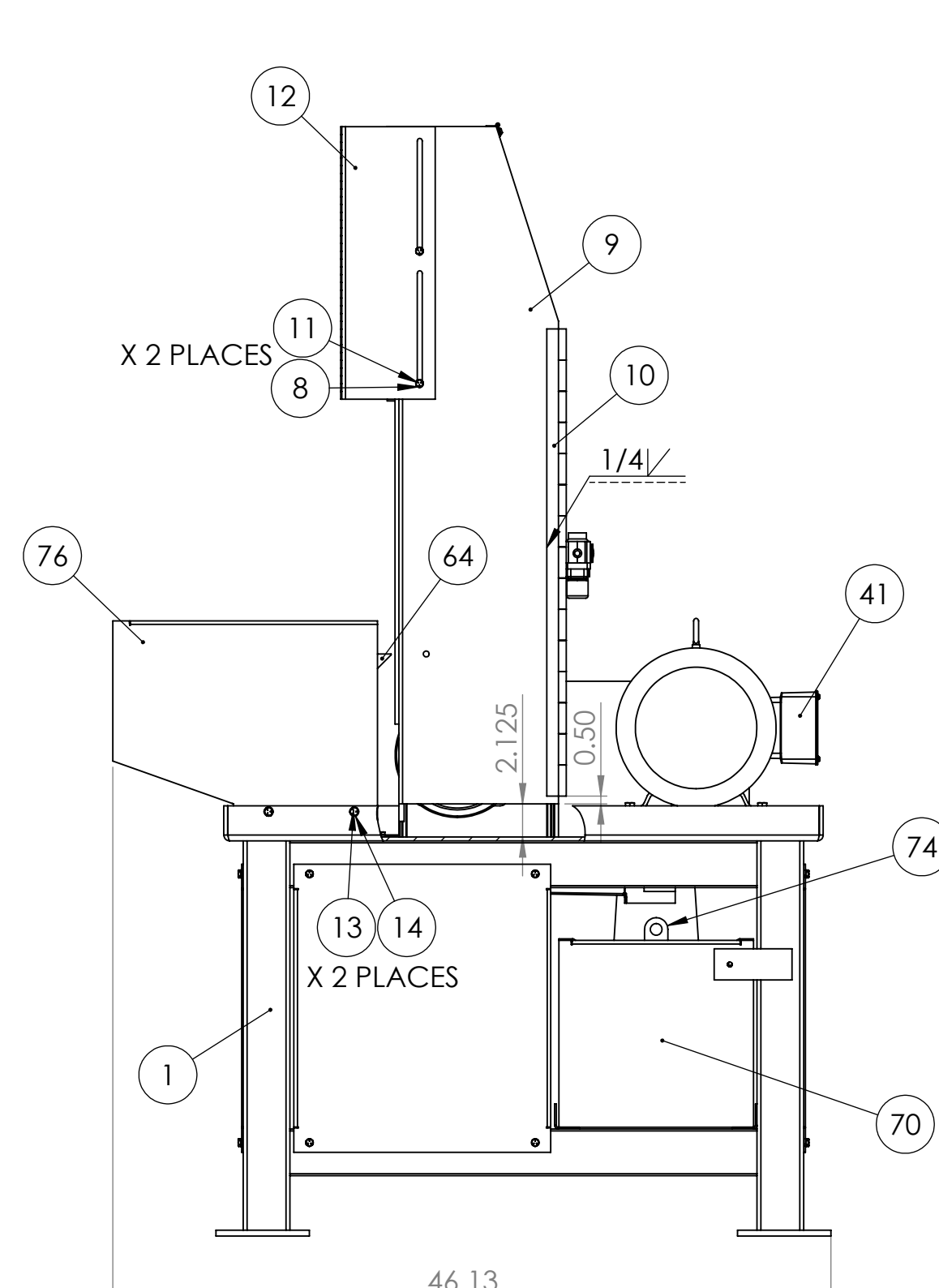
DETAIL B  
PNEUMATIC DETAILS  
SCALE 1 : 2



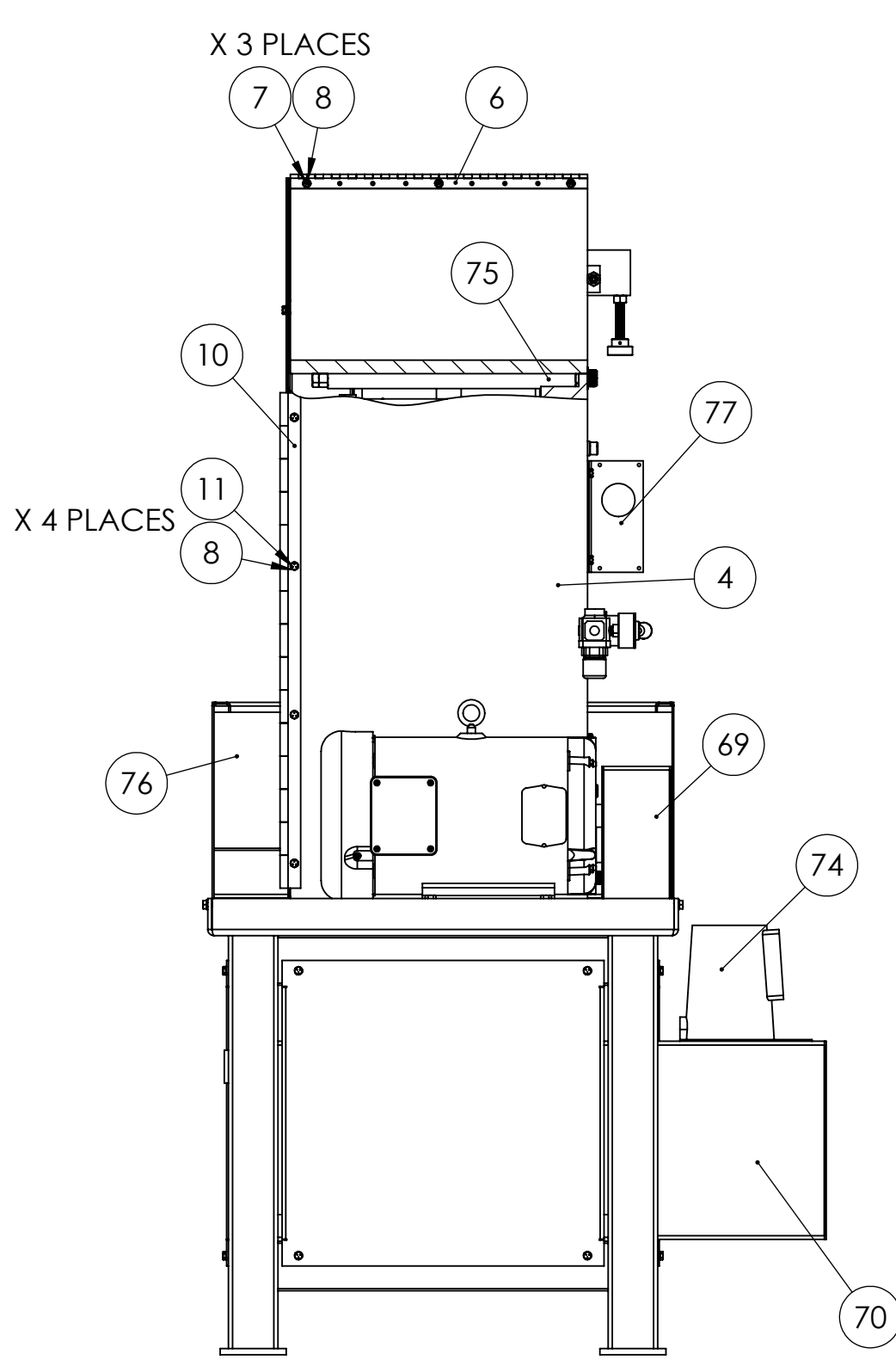
LEFT SIDE VIEW



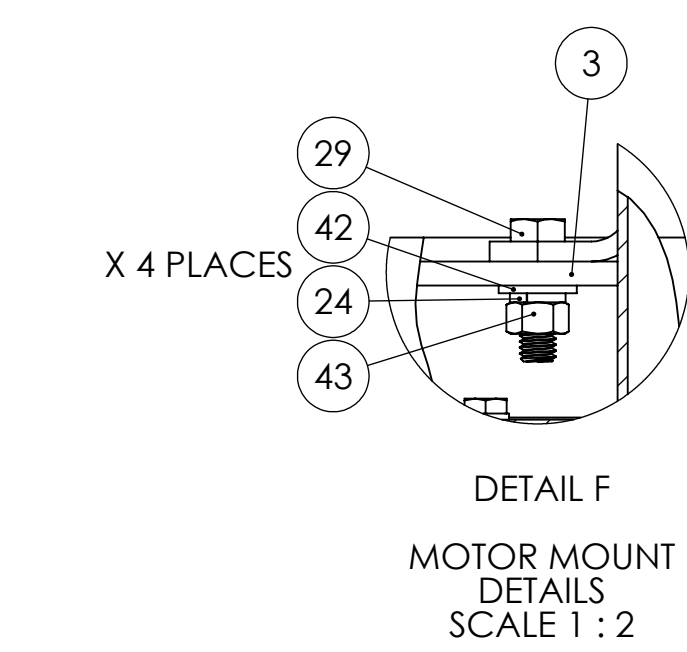
FRONT VIEW



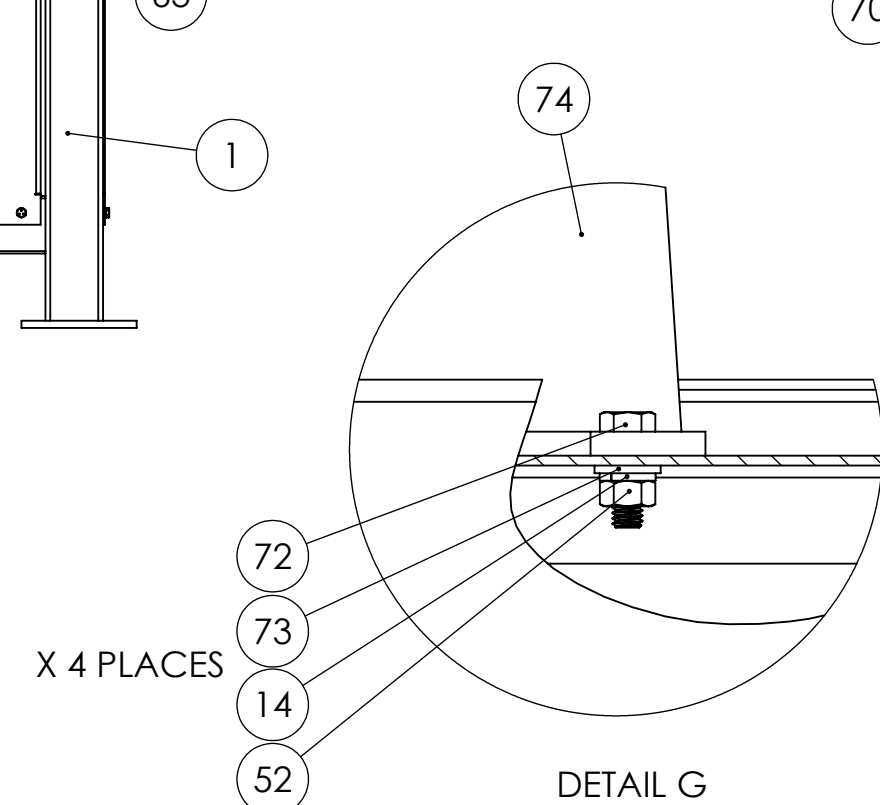
RIGHT SIDE VIEW



BACK VIEW



DETAIL F  
MOTOR MOUNT  
DETAILS  
SCALE 1 : 2



DETAIL G  
COOLANT PUMP  
MOUNT DETAILS  
SCALE 1 : 2

ITEM NO.	PART NUMBER	DESCRIPTION	QTY.
1	716-005W	STAND, FOR S10W SANDER	1
2	125-003VERT	CHANNEL, FRAME SUPPORT FOR S10D AND S10W SANDERS	1
3	556-068	MOTOR PLATE FOR S10D AND S10W SANDERS	1
4	125-003A	BACK GUARD PLATE/FRAME SUPPORT FOR S10D AND S10W SANDERS	1
5	342-153POST	POST FOR S10W UPPER SPLASH GUARD	1
6	342-148W	GUARD, TOP FOR S10W SANDER	1
7	BSCA025008	1/4-20 X 1/2 SHCS	3
8	SLW2025	1/4 SPLIT L/W Z	13
9	147-006W	SIDE DOOR FOR S10W	1
10	147-006HINGE	HINGE FOR S10D SIDE DOOR	1
11	HHC5025008	1/4-20 X 1/2 HHCS GR5 Z	10
12	342-153	UPPER SPLASH GUARD ASSEMBLY FOR S10W	1
13	HHC5031012	5/16-18 X 3/4 HHCS GR5 Z	6
14	SLW2031	5/16 SPLIT L/W Z	10
15	291-032	MAIN FRAME FOR S10D SANDER	1
16	SHCA050028	1/2-13 X 1-3/4 SHCS	4
17	SLW2050	1/2 SPLIT L/W Z	14
18	044-013	4 BOLT FLANGE BRG 1-1/2 IN FOR S10, S14 DRIVE PULLEY	2
19	SHCA050032	1/2-13 X 2 SHCS	8
20	560-055	DRIVE PULLEY ASSEMBLY FOR S10 SANDERS	1
21	714-005	SLEEVE, YOKE SHAFT FOR S10, S14	1
22	556-047	PLATE, SLEEVE BUSHING FOR S10 AND S14	1
23	HHC5037032	3/8-16 X 2 HHCS GR5 Z	2
24	SLW2037	3/8 SPLIT L/W Z	12
25	RLB AA-1704-15	AA-1704-15 BRONZE BUSHING 1-1/2 X 1-3/4 X 1	2
26	ZERK012000	1/8-27 X 11/16 STRT LUBE FITTING	1
27	041-119	T-BRACKET, FOR CYLINDER PIVOT ON S10D	1
28	151-003	CLEVIS, AIR CYLINDER FOR S10 SANDER	1
29	HHC5037020	3/8-16 X 1-1/4 HHCS GR5 Z	10
30	700-031	SHAFT, YOKE FOR S10 SANDERS	1
31	960-018	YOKE FOR S10D SANDERS	1
32	560-054	IDLER PULLEY W BEARINGS FOR S10D SANDERS	1
33	701-042	SPINDLE, IDLER FOR S10D SANDERS	1
34	131-010	MINI PAK CYLINDER FOR S8, S10 SANDERS	1
35	FJNZ038	3/8-24 F H JAM NUT	1
36	709-010A	3/8-24 X 1-1/4 STUD FOR S8D SANDERS	1
37	696-018	SCREW, LEVELING FOR S14 SANDERS	6
38	FJNZ062	5/8-11 F H JAM NUT Z	6
39	563-025	PLATEN FOR S10D SANDERS	1
40	FSCA037016	3/8-16 X 1 FSHCS	6
41	486-040	10HP MOTOR FOR S10 SANDERS	1
42	UFW2037	3/8 USS F/W Z	4
43	FHN5037	3/8-16 FHN GR5 Z	4
44	049-069	MOTOR AND SPINDLE PULLEY BUSHING FOR S10 AND S14 SANDERS	1
45	560-058	SPINDLE PULLEY SHEAVE FOR K20SF-20HP AND KM20-22/20HP, MOTOR AND SPINDLE PULLEY SHEAVE FOR S10 AND S14 SANDERS	2
46	049-003	MOTOR PULLEY BUSHING FOR FOR K16-18, KM16-18, K20SF-15, K20RS-15, K20SW-15, KM20-22-15HP, KM20-22W-15 FOR K16-18, KM16-18, K20SF-15, K20RS-15, K20SW-15, KM20-22-15HP, KM20-22W-15	1
47	051-010	V-BELT FOR S10D AND S10W	4
48	053-009	TRACKING BLOCK- 5/16 THREADED HOLE	1
49	053-009B	TRACKING BLOCK- 1/2-13 THREADED HOLE	1
50	SHCA025016	1/4-20 X 1 SHCS	4
51	HHC5031020	5/16-18 X 1-1/4 HHCS GR 5 Z	1
52	FHN5031	5/16-18 FHN GR5 ZINC	5
53	SPPA050020	1/2-13 X 1-1/4 SPRING PLUNGER W BROWN DELRIN NOSE ALLOY	1
54	FJNZ050	1/2-13 F H JAM NUT Z	1
55	441-016ASSY	TRACKING KNOB ASSEMBLY FOR S8 AND S10 SANDERS	1
56	912-014	VALVE, ROTARY HAND VALVE	1
57	SHCA025024	1/4-20 X 1-1/2 SHCS	2
58	02530040BLN	02530040BLN 1/4 X 3 BLACK PIPE NIPPLE	1
59	R72G2AKRMN	1/4" REGULATOR	1
60	18-013-212	18-013-212 1.5- 1/8 CBM-O-160	1
61	HHC5050024	1/2-13 X 1-1/2 HEX HEAD CAP SCREW	2
62	FHN5050	1/2-13 FHN GR5 Z	2
63	711-013	SUPPORT, TABLE S10 AND S14 SANDERS	1
64	829-023	TABLE, WORK FOR S10 AND S14 SANDERS	1
65	831-014	TRUNNION, TABLE FOR S14 SANDERS	2
66	SHCA050024	1/2-13 X 1-1/2 SHCS	2
67	UFW2050	1/2 USS F/W Z	2
68	RND-0.5CF1018X10.75	10-3/4 INCHES OF 1/2 RND CRS C1018	1
69	342-149	GUARD, BELT FOR S10 HORIZONTAL SANDERS	1
70	716-035	18 GALLON COOLANT TANK 1/4 TO 1/2 I.P. COOLANT PUMP MOUNTING BRACKET FOR WET SANDERS	1
71	041-114	1/4 TO 1/2 I.P. COOLANT PUMP MOUNTING BRACKET FOR WET SANDERS	1
72	HHC5031016	5/16-18 X 1 HHCS GR5 Z	4
73	UFW2031	5/16 USS F/W Z	4
74	577-002	1/4HP COOLANT PUMP AND MOTOR	1
75	S10 SERIES SPLASHBAR	SPLASH BAR FOR S10W SANDER	1
76	342-152	SPLASH GUARD ASSEMBLY FOR S10W	1
77	041-112	SWITCH BRACKET FOR E2PB BUTTON ENCLOSURE	1

DRIVE PULLEY 560-055 INCLUDES:

- (1) SHAFT 701-043
- (1) BUSHING 049-011

IDLER PULLEY 560-054 INCLUDES:

- (2) BEARING 044-014

UNLESS OTHERWISE SPECIFIED:	NAME	DATE
DRAWINGS ARE IN INCHES	DESIGNED BY	
FRACTIONAL ANGULAR DIMENSIONS	CHECKED	
THREE PLACE DECIMAL	ENG APPR	
TOLERANCES PER ASME Y14.5	WFO APPR	
INTERFERE GEOMETRIC TOLERANCES PER	D.A.	
ASME Y14.5	COMMENTS:	
PROPRIETARY/CONFIDENTIAL		
THE INFORMATION CONTAINED IN THIS DRAWING IS THE PROPERTY OF KALAMAZOO TOOL & DIE COMPANY. IT IS TO BE USED ONLY FOR THE PURPOSES AND UNDER THE TERMS OF THE PURCHASE ORDER. ANY REPRODUCTION IN PART OR AS A WHOLE WITHOUT THE WRITTEN PERMISSION OF KALAMAZOO TOOL & DIE COMPANY IS PROHIBITED.		
NEET KEY	USED ON	FINISH
APPLICATION	DO NOT SCALE DRAWING	

**KALAMAZOO**  
**S10W 10" VERTICAL WET SANDER**  
**E S10W**  
 SCALE: 1:5 WEIGHT: SHEET 1 OF 1