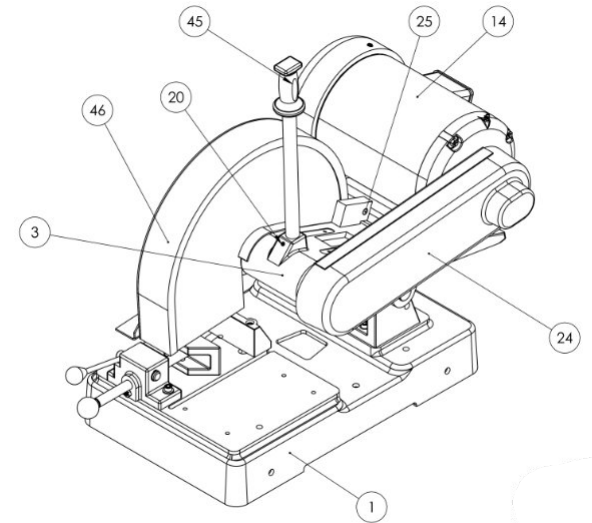


K12-14B REPLACEMENT PARTS LIST



ITEM NO.	PART NUMBER	DESCRIPTION	QTY.
1	050-002	K12-14 SAW BASE	1
2	041-003	K12-K14 TRUNNION	1
3	002-002	K12- 14 SAW ARM	1
4	562-003	K12-14 TRUNNION PIN	1
5	697-018	K12-K14 TRUNNION SPRING	1
6	UFWZ037	3/8 USS F/W Z	4
7	FHN5037	3/8-16 FHN GR5 Z	4
8	044-001	K12 BEARING	2
9	292-004	K12-14 LOOSE FLANGE	1
10	LJNP101	1-14 LEFT HAND JAM NUT	1
11	SSKA031006	5/16-18 X 3/8 SOC SET KNURL PT.	1
12	ZERK012000	1/8-27 X 11/16 STRT LUBE FITTING	2
13	560-001	K12- 14 SPINDLE PULLEY	1
14	486-001	5HP, 3HP, 3450RPM, 60HTZ, 184T, F2 230/460 VOLT	1
15	HHC5037020	3/8-16 X 1-1/4 HHCS GR5 Z	4
16	SLWZ037	3/8 SPLIT L/W Z	4
17	560-002	2/3V0315JA MOTOR PULLEY K12-14B, K12-14W, K12-14MS,KM14	1
18	049-022	JAX1-1/8 BUSHING FOR MOTOR PULLEY, FOR K12B, K14B, AND KM14	1
19	051-006	3V375 V-BELT (TWO REQUIRED) FOR K12, K14, ,KM14 SAWS (SAME AS 051-009)	2
20	SSKA025004	1/4-20 X 1/4 SSCPT CUP POINT	3
21	HHC5031012	5/16-18 X 3/4 HHCS GR5 Z	2
22	SLWZ031	5/16 SPLIT L/W Z	2
23	UFWZ031	5/16 USS F/W Z	4
24	342-004	K12-14 OUTER BELT GUARD/PLASTIC	1
25	SSBA062044	5/8 X 2-3/4 SOC SHOULDER BOLT	1
26	386-001	K10-16 VISE HOUSING	1
27	645-001	K10-16 SHORT VISE ROD	1
28	454-001	K10-16 VISE CAM PLATE	1
29	697-001	K10-16 VISE ROD SPRING	1
30	129-001	K10-16 VISE CAM	1
31	381-001	K10- 16 VISE HANDLE	1
32	441-002	K10-16 VISE LOCK HANDLE KNOB	1
33	431-001	K10- 16 FRONT VISE JAW	1
34	562-001	K10 VISE PIN	1
35	441-001	K10- 16 VISE ROD KNOB	1
36	SSSA025024	1/4-20 X 1-1/2 SOC SET CUP PT.	1
37	SSSA025022	1/4-20 X 1-3/8 SOC SET COP PT.	1
38	FHN5025	1/4-20 FHN GR5 Z	2
39	SSKA010004	10-24 X 1/4 SOC SET KNURL PT	1
40	641-016	RETAINING RING SHR-62 ST PA 5/8	1
41	SHCA031024	5/16-18 X 1-1/2 SHCS	6
42	431-002	K10- 14 REAR VISE JAW	1
43	537-014	K10-14 FENCE NUT	1
44	SHCA031048	5/16-18 X 3 SHCS	2
45	381-002	HANDLE W GRIP FOR K12-14 SAWS	1
46	342-025	K14B WHEEL GUARD	1
47	701-002	SPINDLE W TIGHT FLANGE FOR K12B, K14B, K12-14W, KM14, K12-14MS	1
48	645-004	K12B- 14B BACK STOP ASSEMBLY	1
49	342-086	K12-14 INNER BELT GUARD ASSEMBLY FOR PLASTIC GUARD	1

***NOTE: COMPLETE VISE
ASSEMBLY PART (LESS JAWS) NUMBER 912-015**