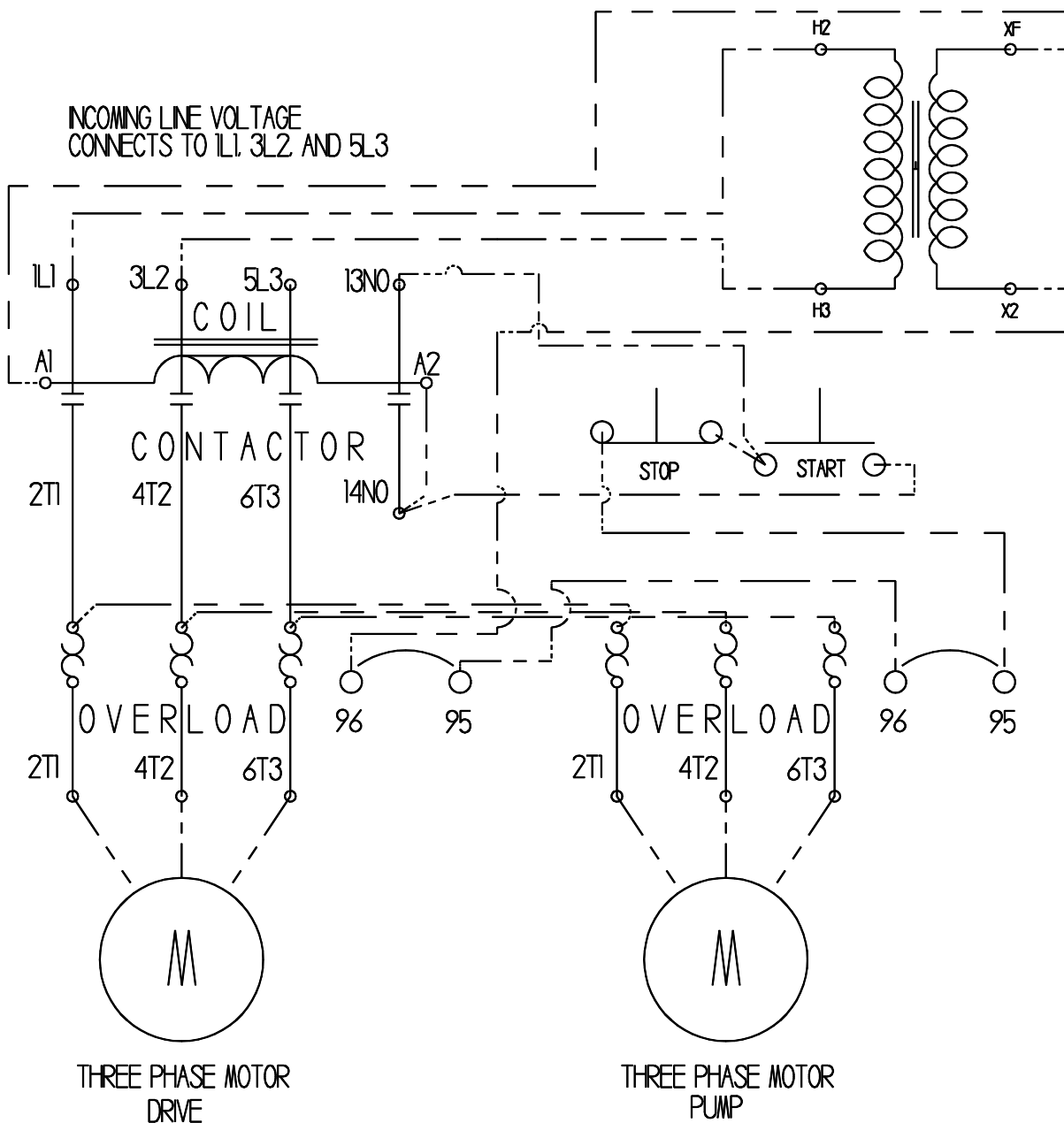
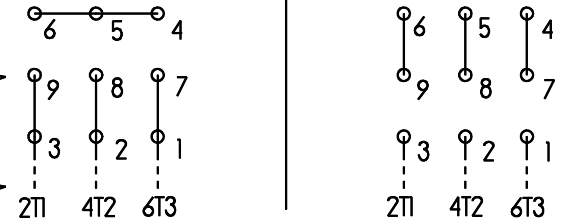


INCOMING LINE VOLTAGE
CONNECTS TO 1L1, 3L2, AND 5L3



MOTOR LEAD CONNECTION



3 PHASE
LOW VOLTAGE

INTERCHANGE TWO MOTOR LEADS
TO REVERSE ROTATION

3 PHASE
HIGH VOLTAGE

KALAMAZOO INDUSTRIES INC.

DRAWN BY	DATE	DESCRIPTION
ASHLEY	9/19/12	3 PH SCHEMATIC
REVISED BY	DATE	PART #
MATERIAL		

Y
X