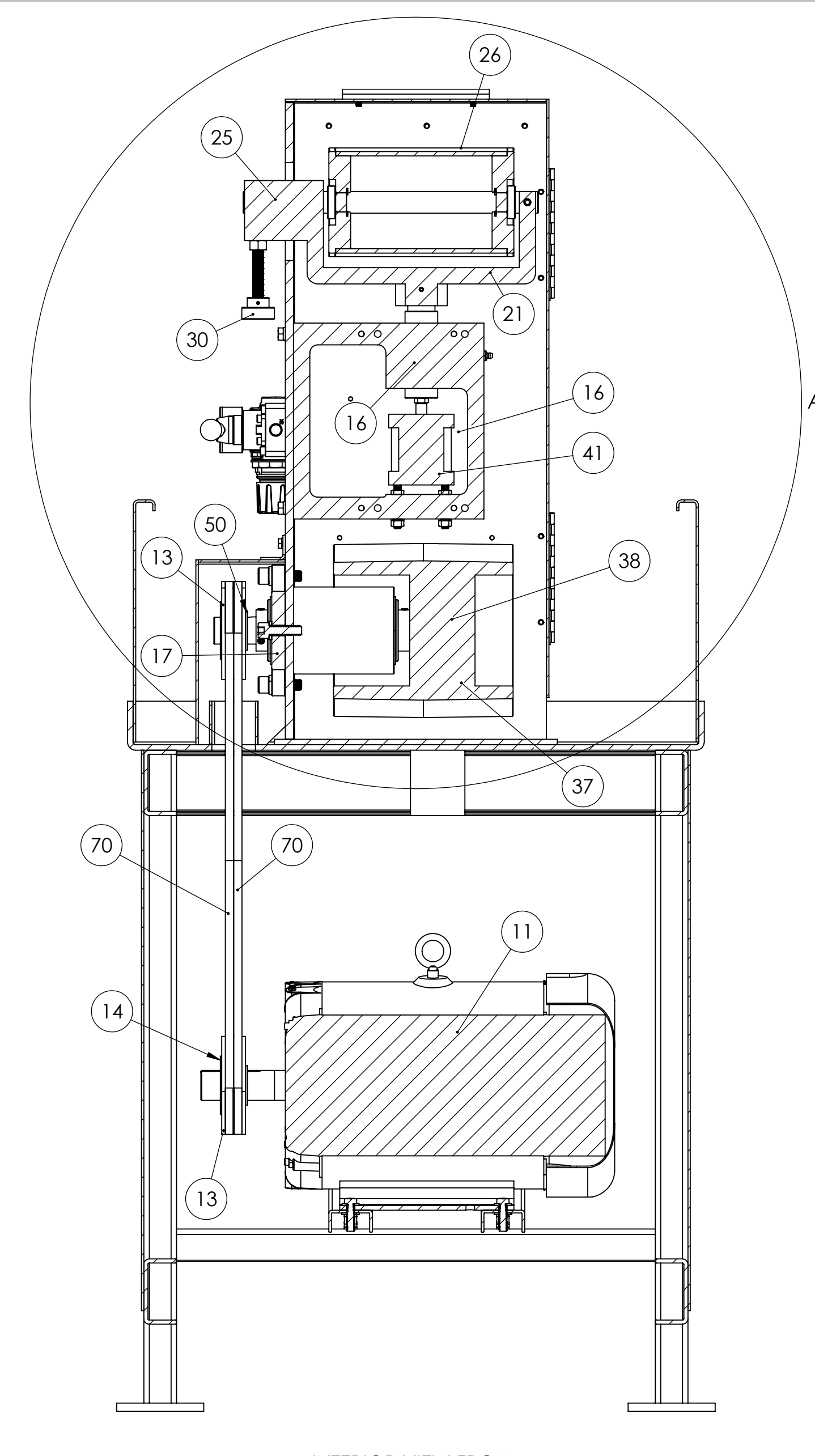
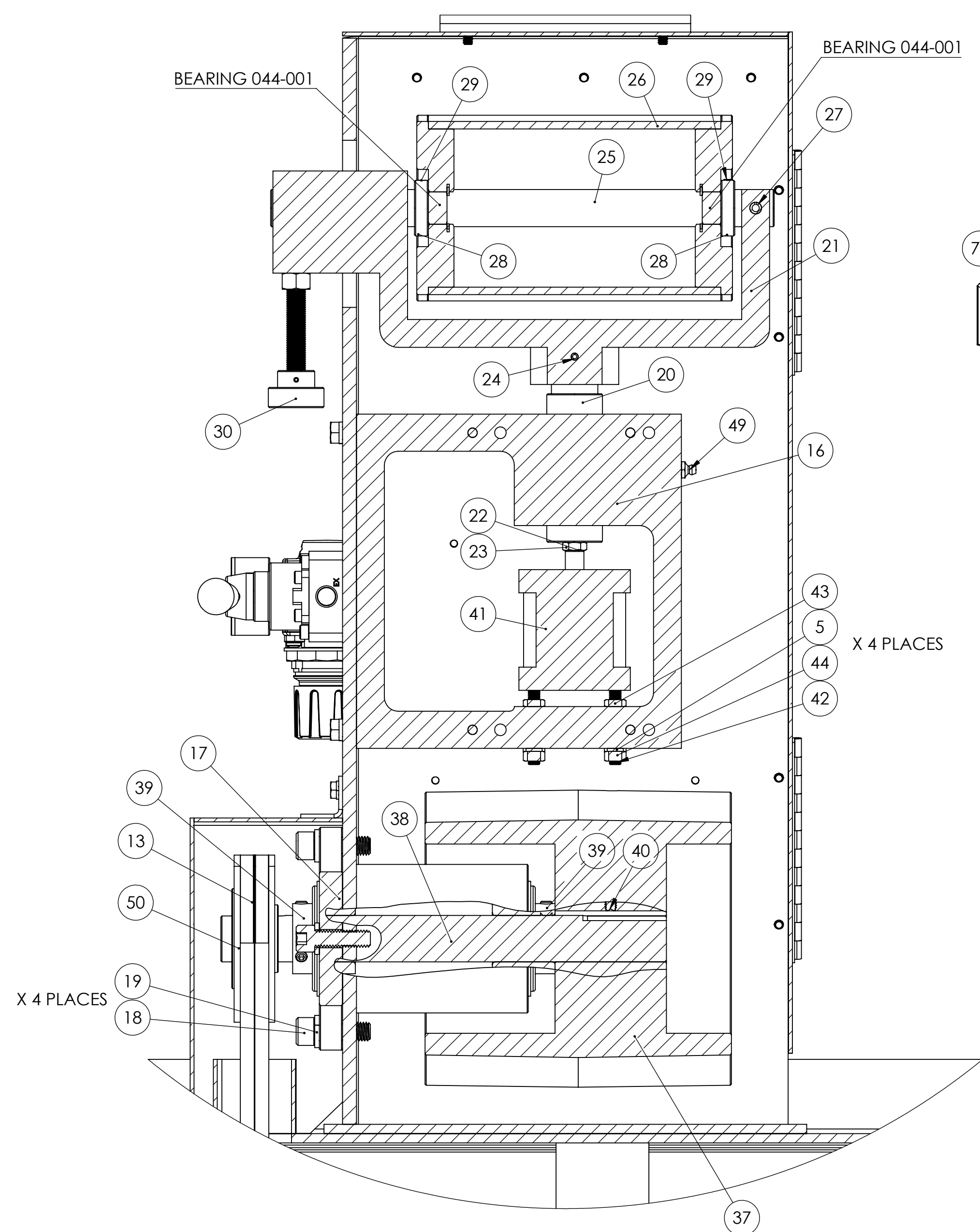


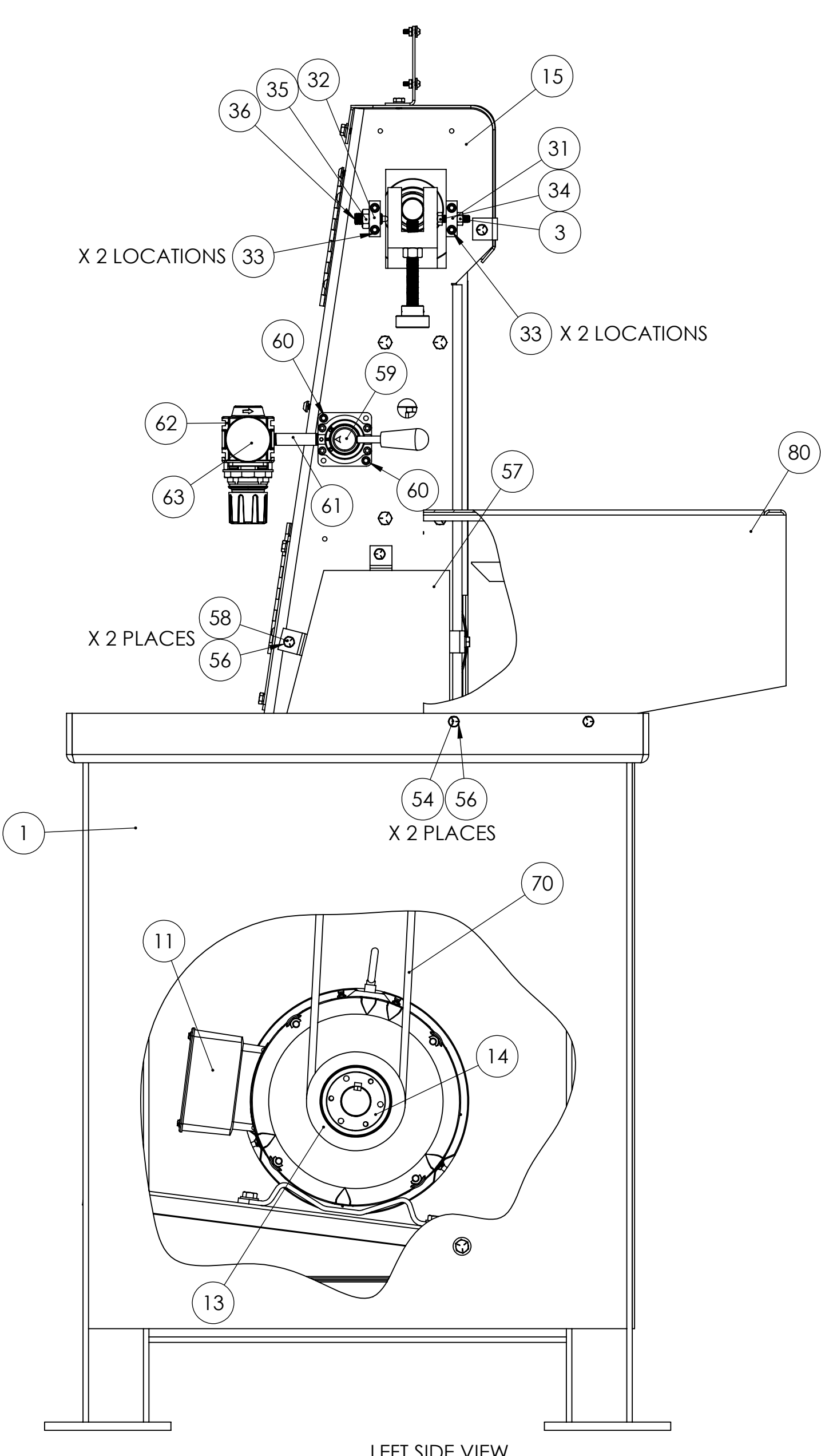
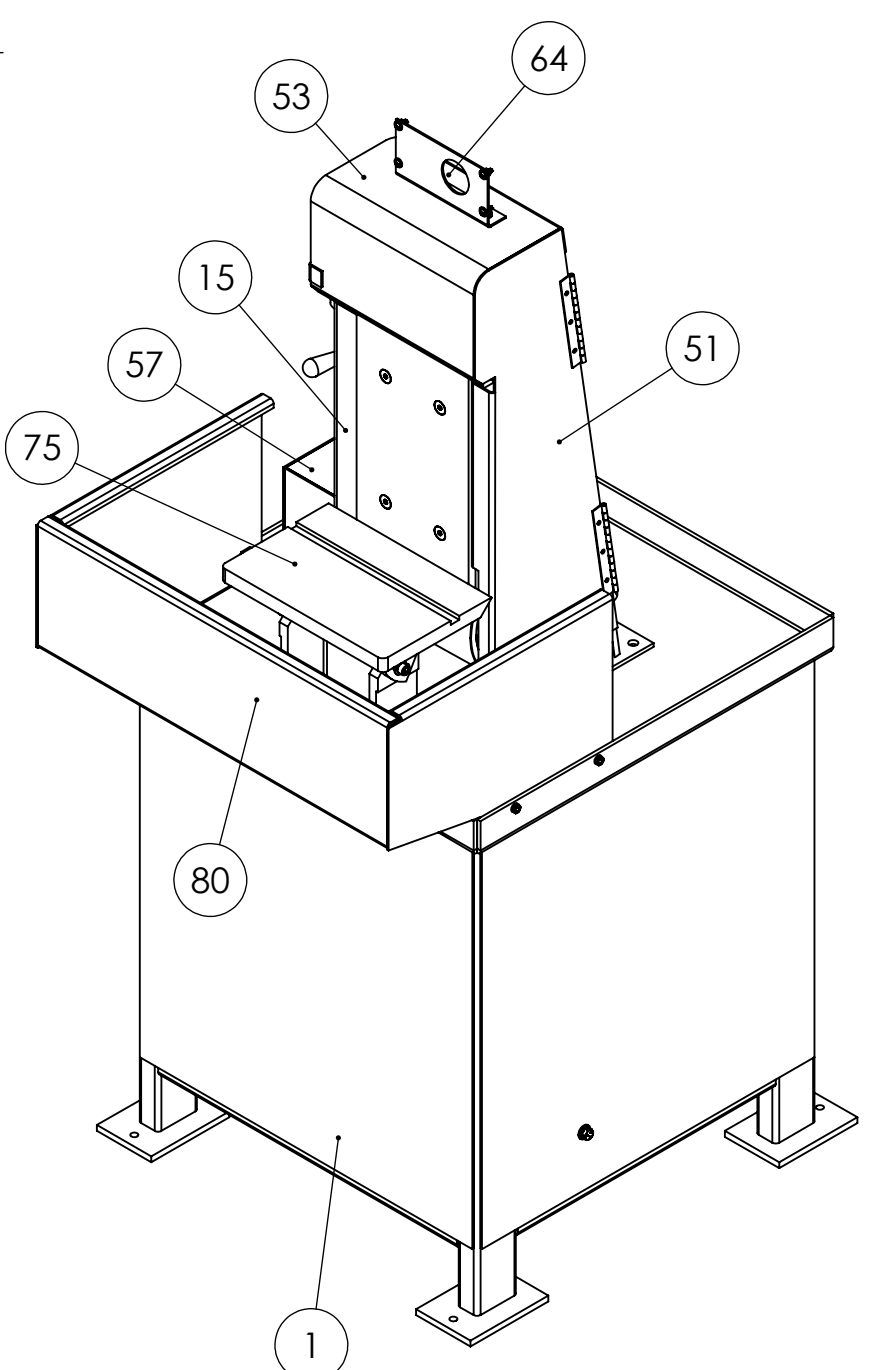
BACK VIEW



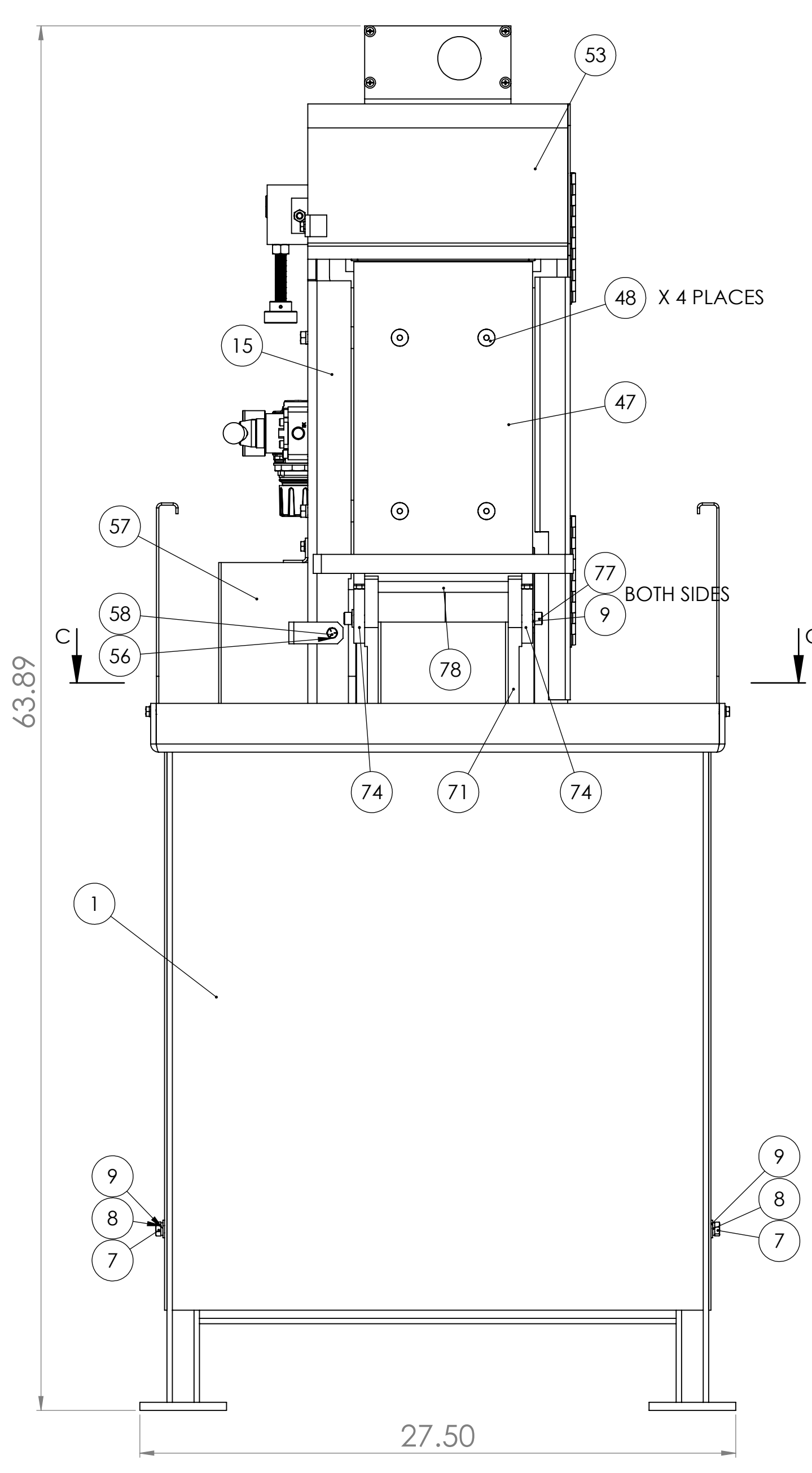
INTERIOR VIEW FROM FRONT SIDE



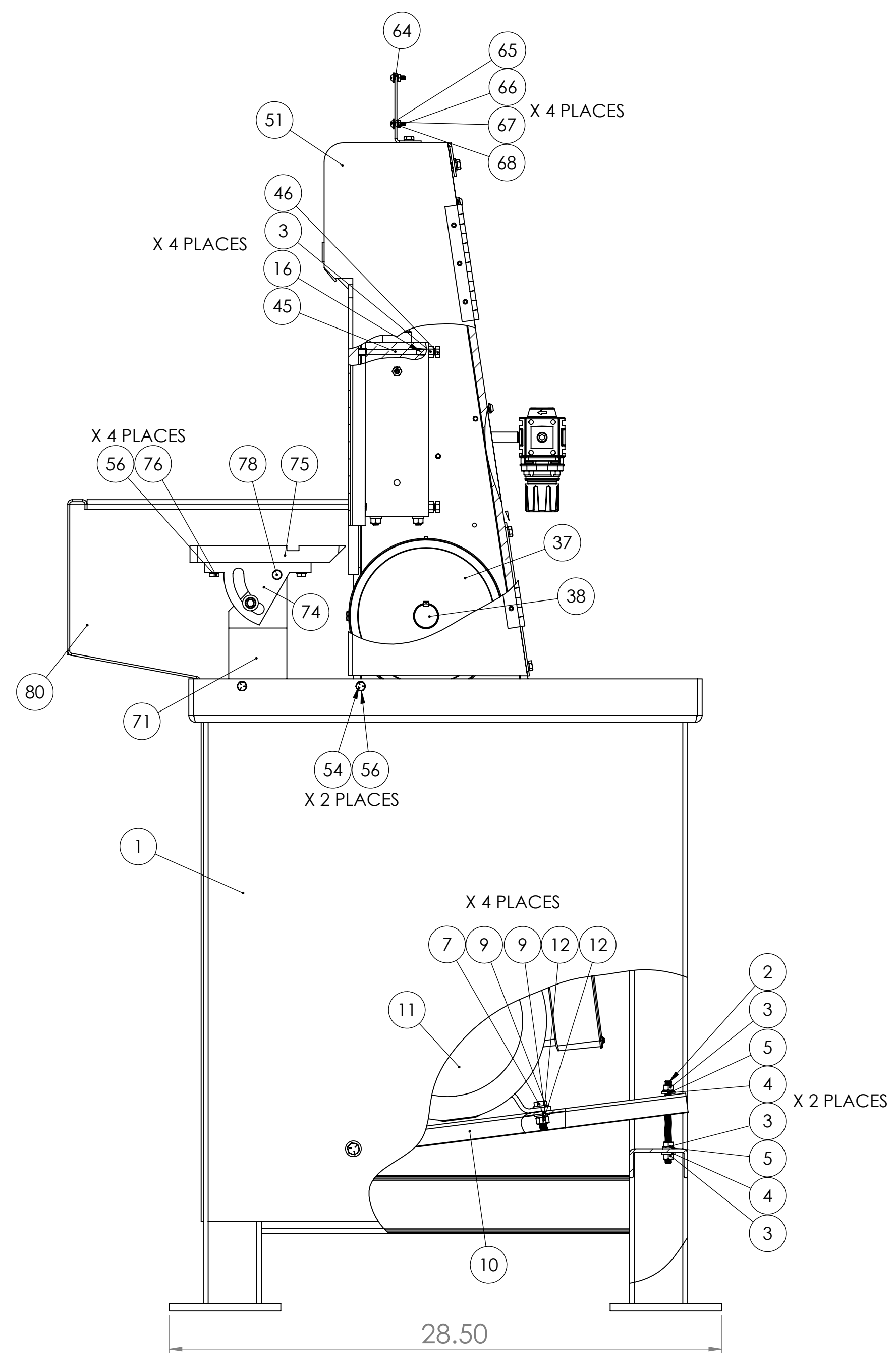
DETAIL A
SCALE 2:5



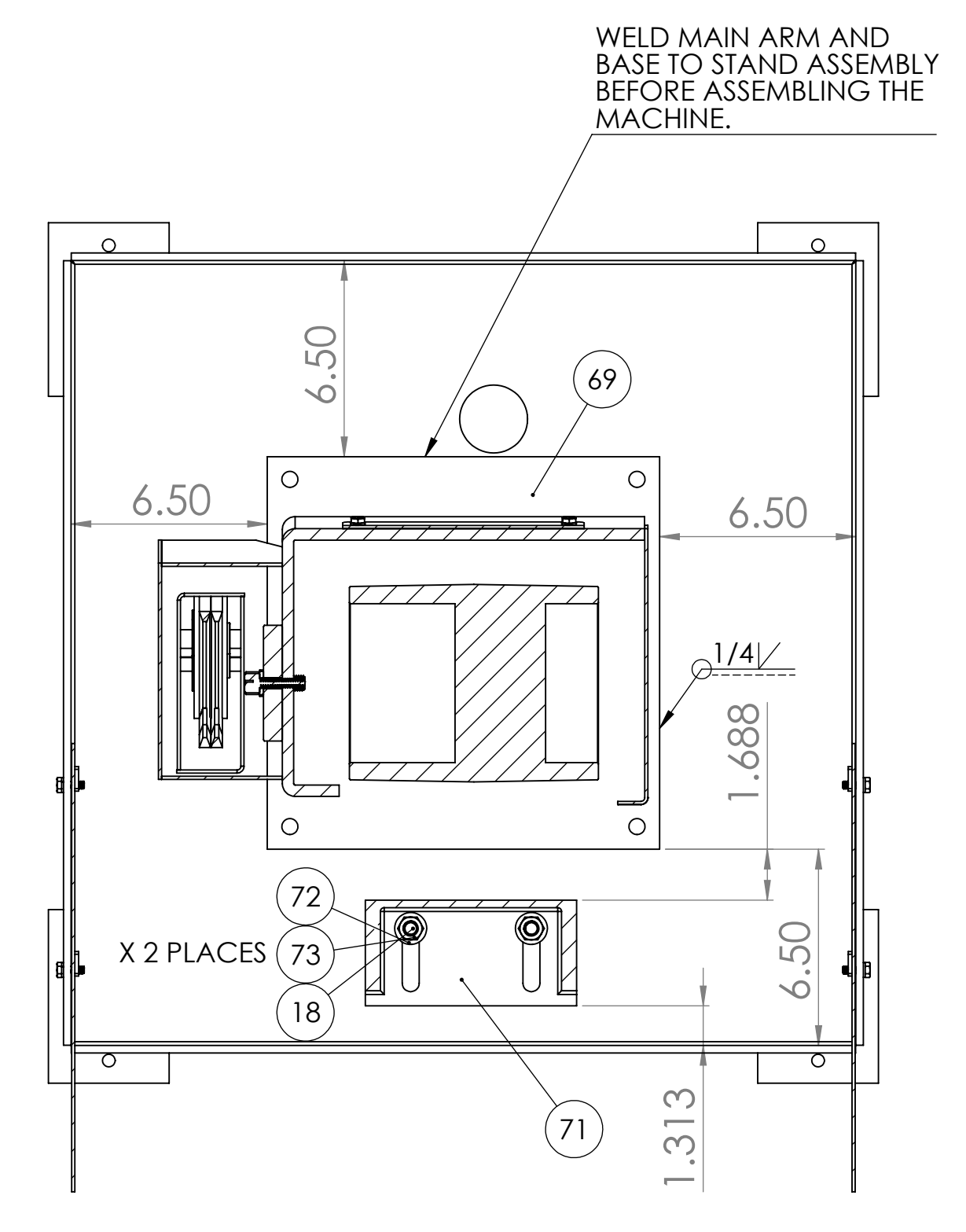
LEFT SIDE VIEW



FRONT VIEW



RIGHT SIDE VIEW



SECTION C-C
TOP VIEW
ATTACHMENT OF MAIN ARM/ BASE
TO STAND

ITEM NO.	PART NUMBER	DESCRIPTION	QTY.
1	716-006W	STAND FOR S8W SANDER	1
2	RND-0.3125-18THRDX4.25	4-1/4 INCHES OF 5/16-18 THREADED ROD	2
3	FHN5031	5/16-18 FHN GR5 ZINC	13
4	UFWZ031	5/16 USS F/W Z	6
5	SLWZ031	5/16 SPLIT L/W Z	8
6	700-043	S8 MOTOR MOUNT PIVOT SHAFT	1
7	HHC5037020	3/8-16 X 1-1/4 HHCS GR5 Z	10
8	SLWZ037	3/8 SPLIT L/W Z	10
9	UFWZ037	3/8 USS F/W Z	12
10	690-014	RAIL, MOTOR MOUNT FOR S 460, S6, S8 SANDERS	2
11	486-032	7-1/2 HP MOTOR FOR S8D	1
12	FHN5037	3/8-16 FHN GR5 Z	4
13	560-060	MOTOR AND SPINDLE PULLEY SHEAVE FOR S8 SANDERS	2
14	049-006	MOTOR PULLEY BUSHING FOR S8 AND S10 SANDERS	1
15	291-008	MAIN FRAME FOR S8D	1
16	291-025	PLATEN SUPPORT FRAME FOR S8D SANDERS	1
17	386-016	HOUSING, BEARING FOR S8 SANDERS	1
18	SHCA050024	1/2-13 X 1-1/2 SHCS	6
19	SLWZ050	1/2 SPLIT L/W Z	6
20	575-012	POST, IDLER YOKE FOR S8 SANDERS	1
21	960-007	YOKE FOR S8 SANDERS	1
22	709-010A	3/8-24 X 1-1/4 STUD FOR S8D SANDERS	1
23	FJNZ038	3/8-24 F H JAM NUT	1
24	ROLA018032	3/16 X 2 ROLL PIN	1
25	701-023	SPINDLE, IDLER FOR S8 SANDERS	1
26	560-024	IDLER PULLEY WITH BEARINGS FOR S8 SANDERS	1
27	ROLA031032	5/16 X 2 ROLL PIN	1
28	123-016	S6 IDLER PULLEY LOCK COLLAR	2
29	SSKA025004	1/4-20 X 1/4 SOC SET KNURL PT.	2
30	441-016ASSY	TRACKING KNOB ASSEMBLY FOR S8 AND S10 SANDERS	1
31	053-009	TRACKING BLOCK- 5/16 THREADED HOLE	1
32	053-009B	TRACKING BLOCK- 1/2-13 THREADED HOLE	1
33	SHCA025016	1/4-20 X 1 SHCS	4
34	HHC5031020	5/16-18 X 1-1/4 HHCS GR 5 Z	1
35	FJNZ050	1/2-13 F H JAM NUT Z	1
36	SPPA050020	1/2-13 X 1-1/4 SPRING PLUNGER W BROWN DELRIN NOSE ALLOY	1
37	560-023	DRIVE PULLEY FOR S8 SANDERS	1
38	701-022	SPINDLE, DRIVE FOR S8 SANDERS	1
39	044-014	SER207-20 SER207-20 (ER20C) SPINDLE BEARING FOR S8 DRIVE PULLEY AND S10	2
40	SSSA031012	5/16-18 X 3/4 SOC SET CUP PT	1
41	131-010	2500B-1, 50 2, 50X1, 50 AMERICAN MINI PAK CYLINDER FOR S8, S10 SANDERS	1
42	SSSA032036	5/16-24 X 2-1/4 SOC SET CUP PT	4
43	FJNZ032	5/16-24 F H JAM NUT Z	4
44	FHN5032	5/16-24 FHN GR5 Z	4
45	645-022	PUSH ROD FOR S8 SANDERS	4
46	HHC5031016	5/16-18 X 1 HHCS GR5 Z	4
47	563-004	PLATEN FOR S8 SANDERS	1
48	FSCA037024	3/8-16 X 1-1/2 FSHCS	4
49	ZERK012000	1/8-27 X 11/16 STRT LUBE FITTING	1
50	049-005	SPINDLE PULLEY BUSHING FOR S8 SANDERS	1
51	147-002	GUARD, DOOR FOR S8D, S8W	1
52	BSCA025008	1/4-20 X 1/2 BS HCS	8
53	342-033	GUARD, TOP FOR S8D	1
54	HHC5025012	1/4-20 X 3/4 HHCS GR5 Z	7
55	UFWZ025	1/4 USS F/W Z	3
56	SLWZ025	1/4 SPLIT L/W Z	25
57	342-070	V-BELT GUARD FOR S8 SANDERS	1
58	HHC5025008	1/4-20 X 1/2 HHCS GR5 Z	10
59	912-014	HVN4200-8 PARKER 1/4 WAY VALVE, 3P ROTARY HAND VALVE	1
60	SHCA025024	1/4-20 X 1-1/2 SHCS	2
61	02530040BLN	1/4 X 3 BLACK PIPE NIPPLE	1
62	641-021	P32RB92BNNP PARKER REGULATOR 1/4" 125PSI RELIEVING MODULAR REGULATOR	1
63	18-013-212	18-013-212 1.5- 1/8 CBM-O-160	1
64	041-112	SWITCH BRACKET FOR E2PB BUTTON ENCLOSURE	1
65	CRMZ011010	10-32 X 5/8 COMBO ROUND M/S Z	4
66	MSWZ010	#10 M.S. F/W Z	4
67	SLWZ010	#10 SPLIT L/W Z	4
68	MSNZ011	10-32 M.S. NUT Z	4
69	556-024	PLATE, BASE FOR S8D	1
70	051-011	3VX560 V-BELT FOR S8 SERIES	2
71	711-009	SUPPORT, TABLE FOR S8 SANDERS	1
72	UFWZ050	1/2 USS F/W Z	2
73	FHN5050	1/2-13 FHN GR5 Z	2
74	831-017	TRUNNION, TABLE FOR S8 SANDERS	2
75	829-015	TABLE, WORK FOR S8 SANDERS	1
76	HHC5025016	1/4-20 X 1 HHCS GR5 Z	4
77	SHCA037016	3/8-16 X 1 SHCS	2
78	RND-0.5CF1018X8.25	8-1/4 OF 1/2 ROD RN-1/2 CF C1018	1
79	291-008A	VACUUM PLATE FOR S8 UPPER HEAD ASSEMBLY	1
80	342-124	SPLASH GUARD FOR FRONT OF S8W SANDER	1

PLEASE CONSULT S8 UPPER HEAD ASSEMBLY DRAWING FOR MORE DETAILED INFORMATION ON THE UPPER HEAD ASSEMBLY

UNLESS OTHERWISE SPECIFIED:
DIMENSIONS ARE IN INCHES
TOLERANCES:
FRACTIONS: ANGULAR: DECIMAL: THREE PLACE DECIMAL: 1
INTERFERE GEOMETRIC TOLERANCES PER ASME Y14.5
D.O.A.
COMMENTS:
KALAMAZOR
S8 VERTICAL WET SANDER
E S8W ASSEMBLY
SCALE: 1:5 WEIGHT: SHEET 1 OF 1