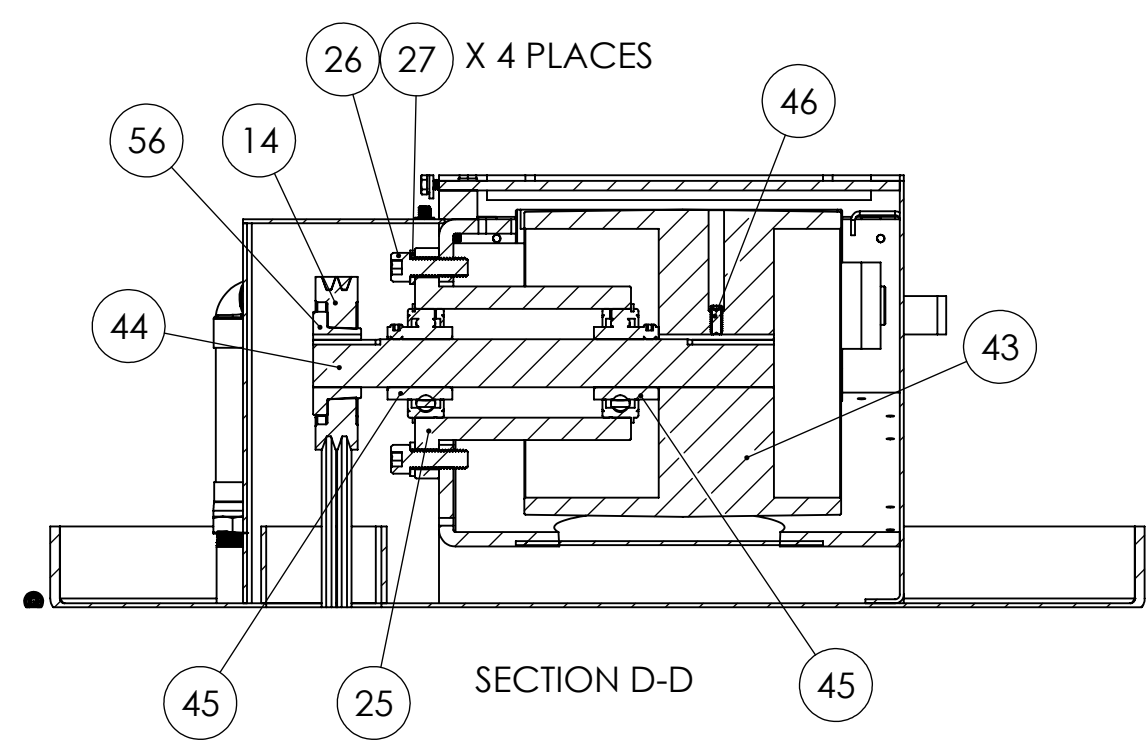
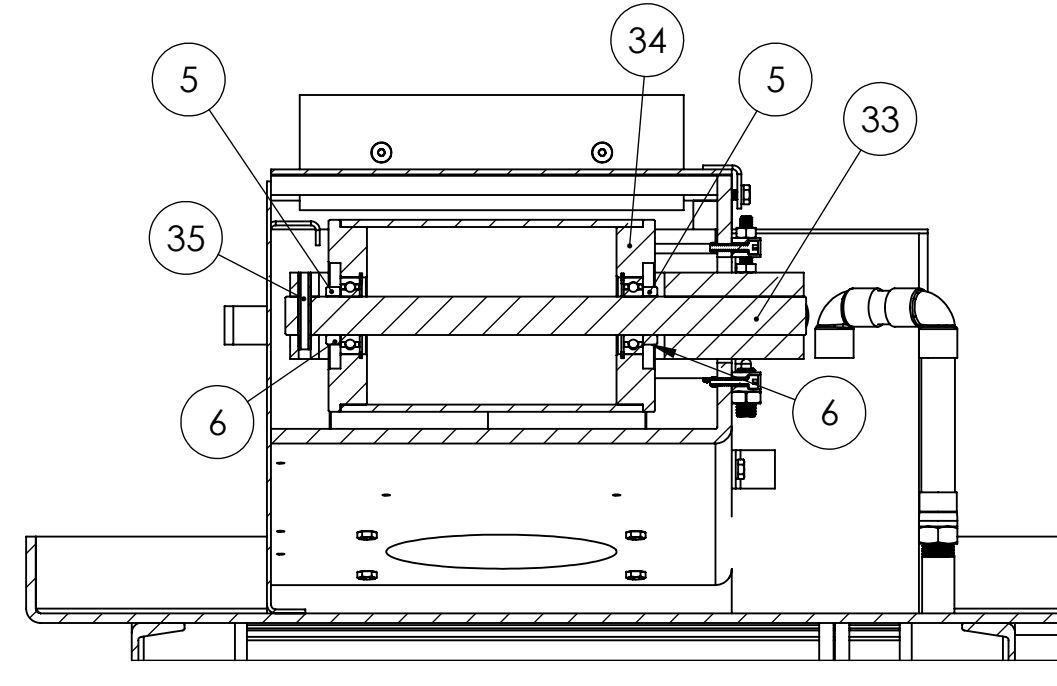


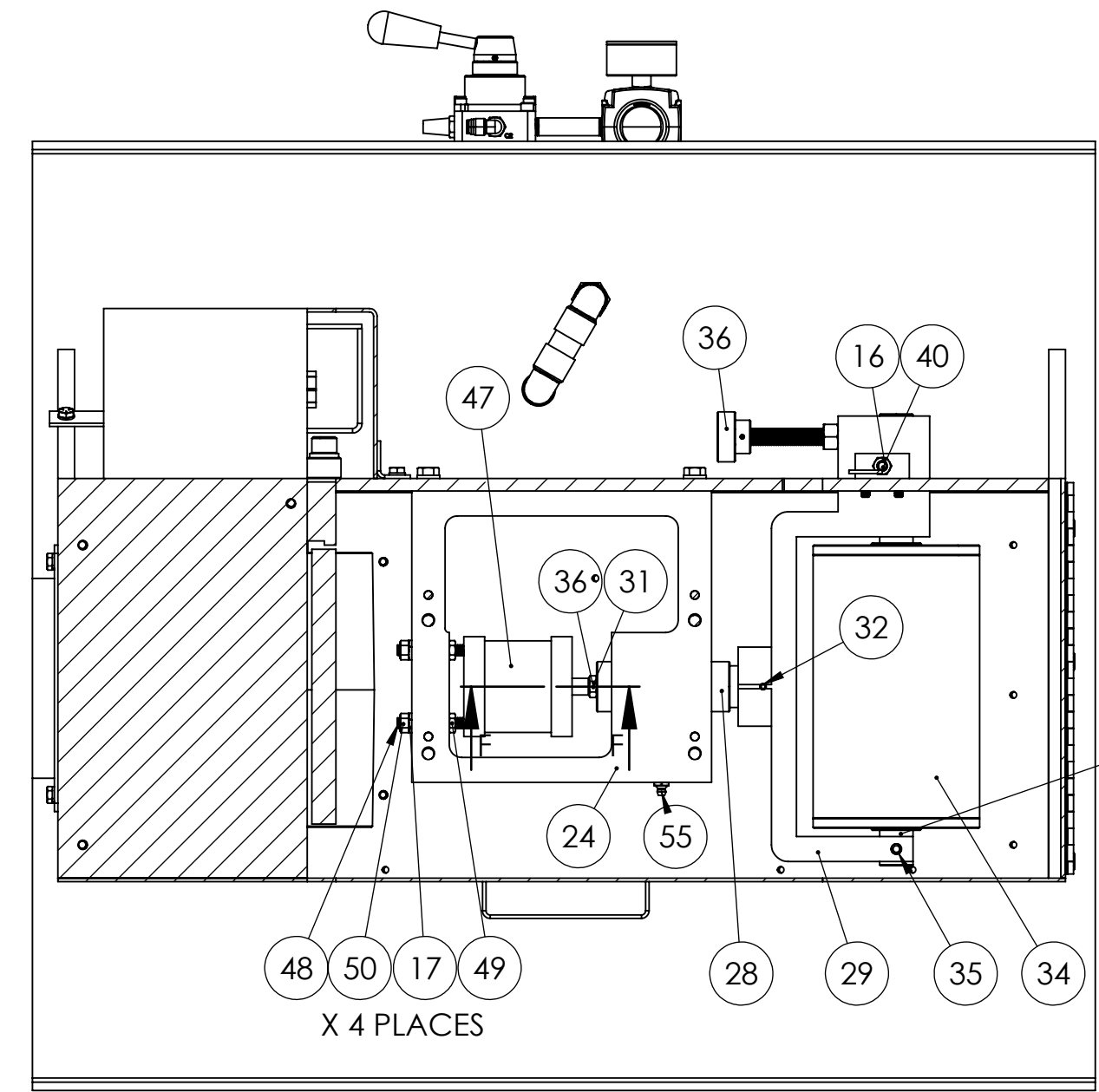
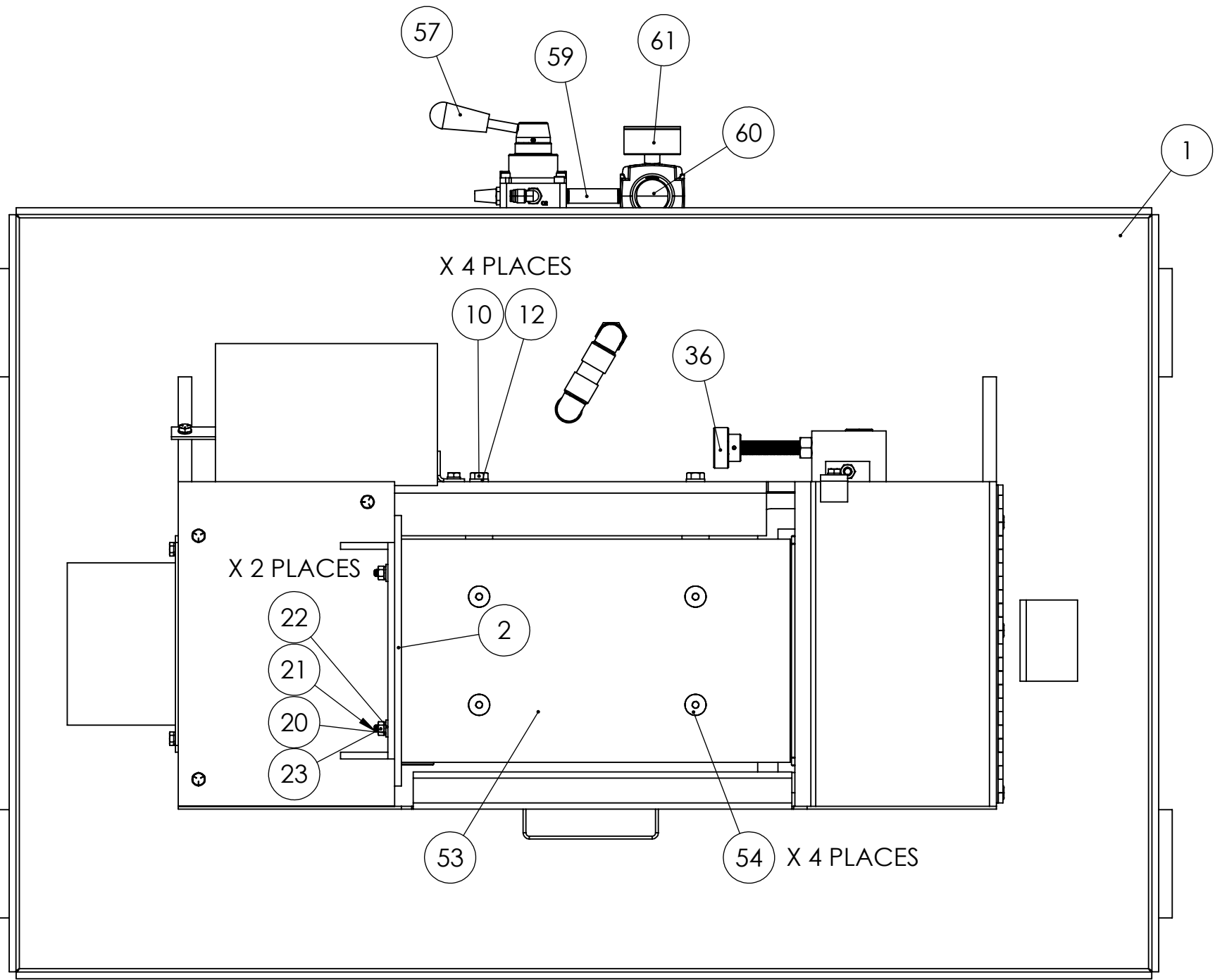
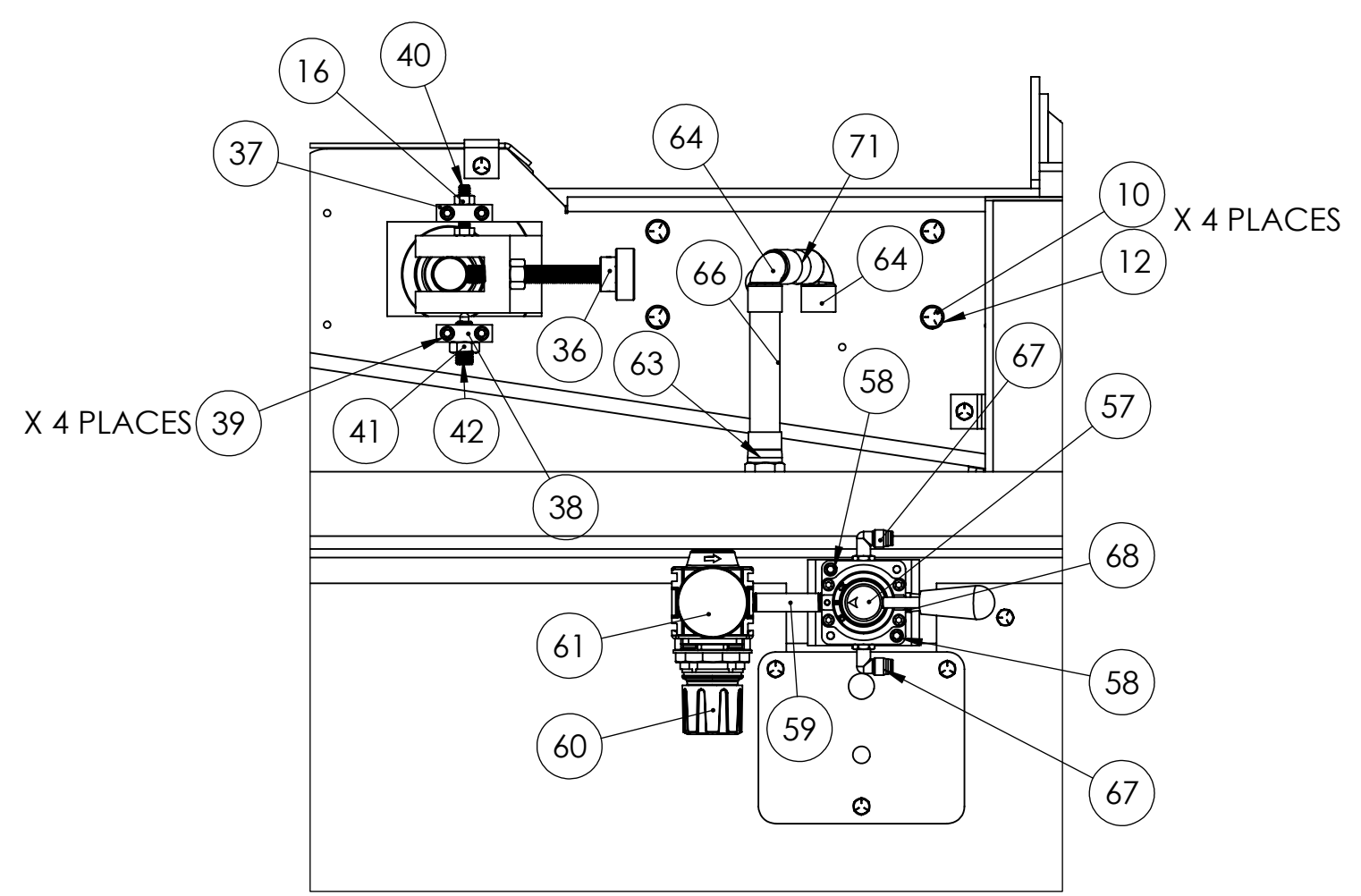
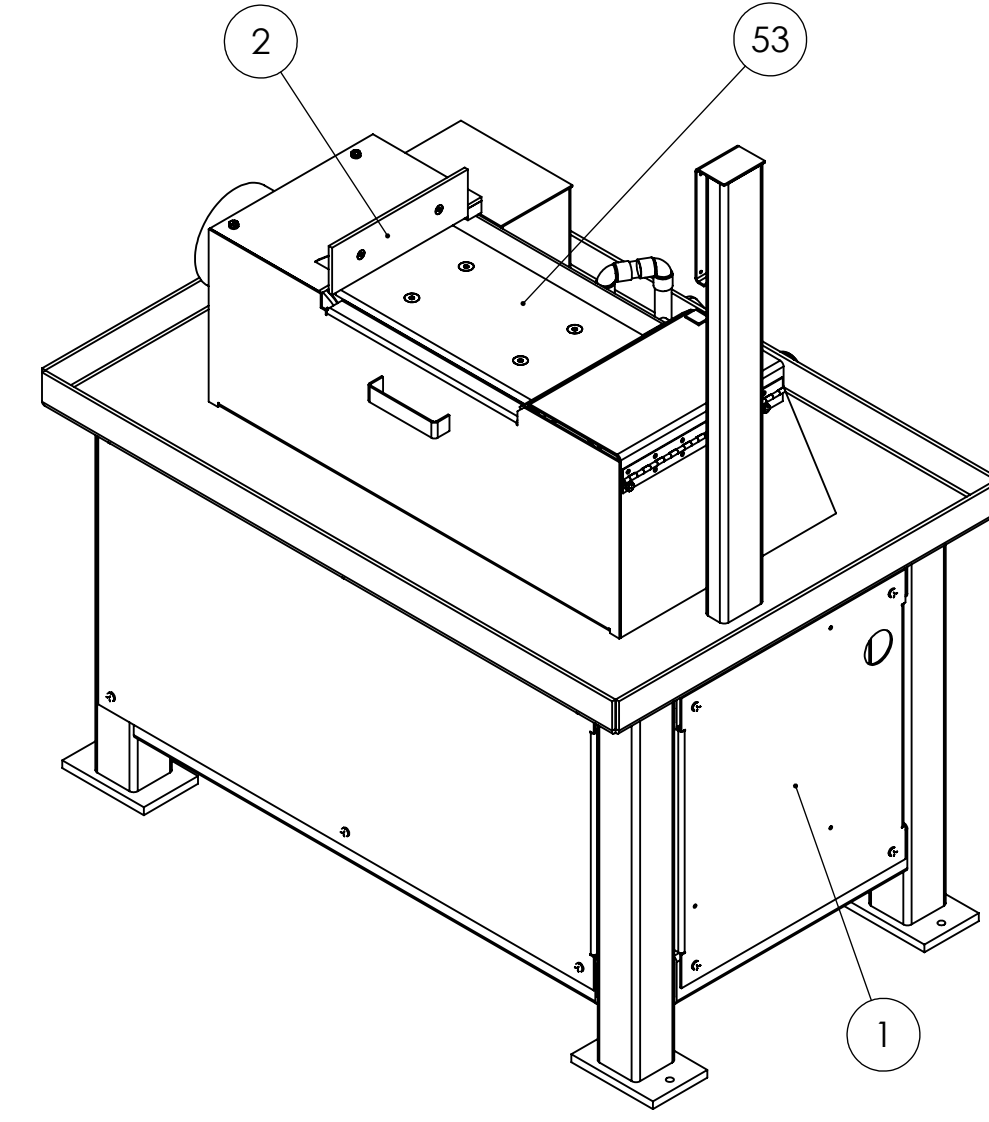
DETAIL B



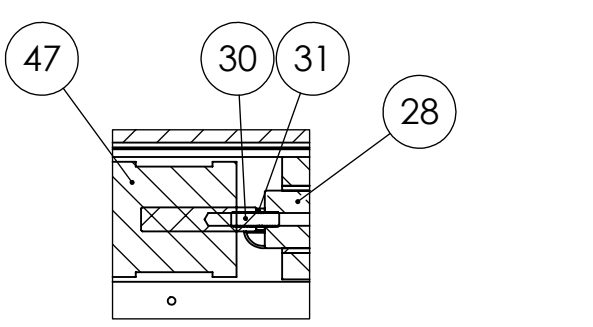
SECTION D-D



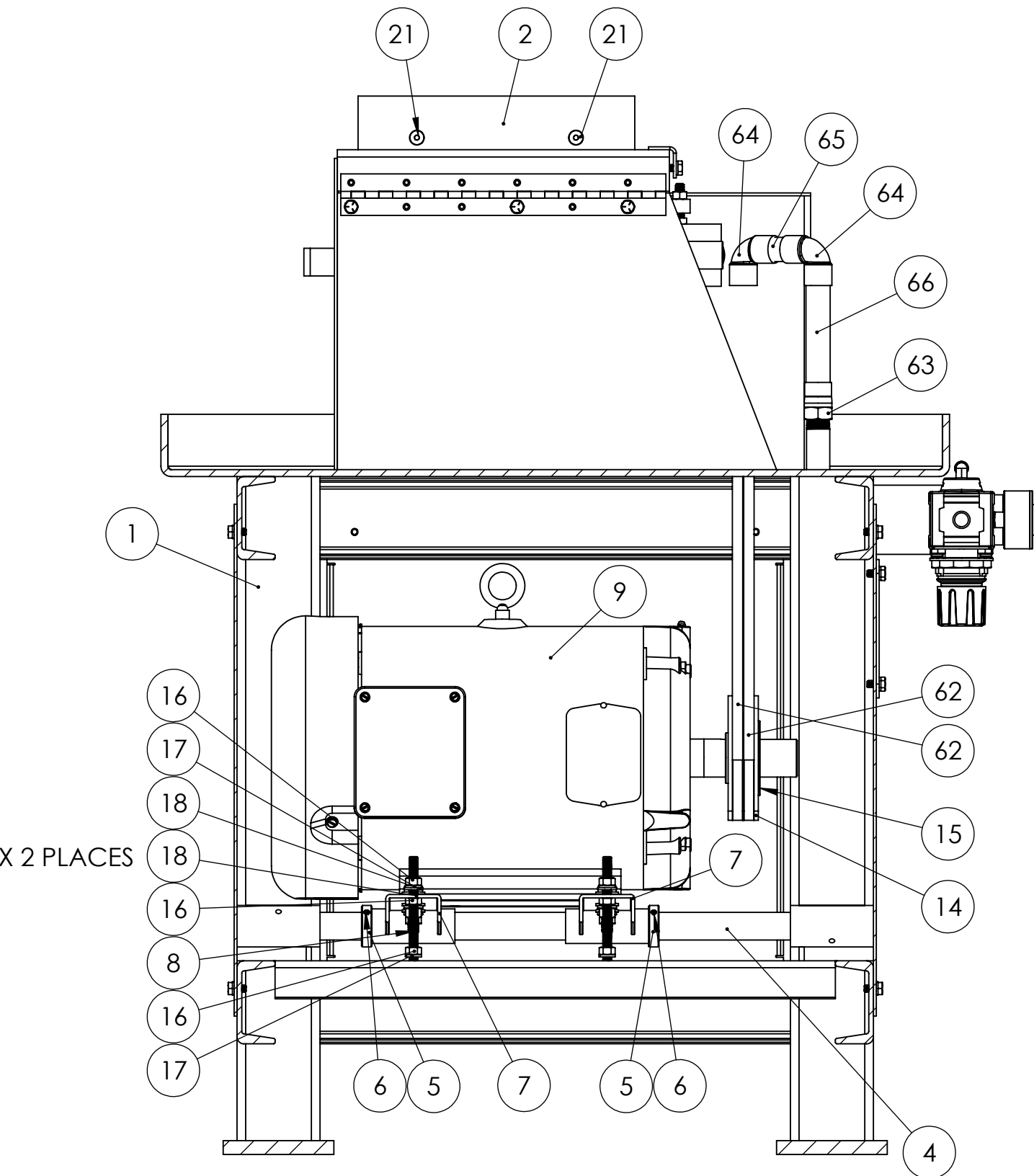
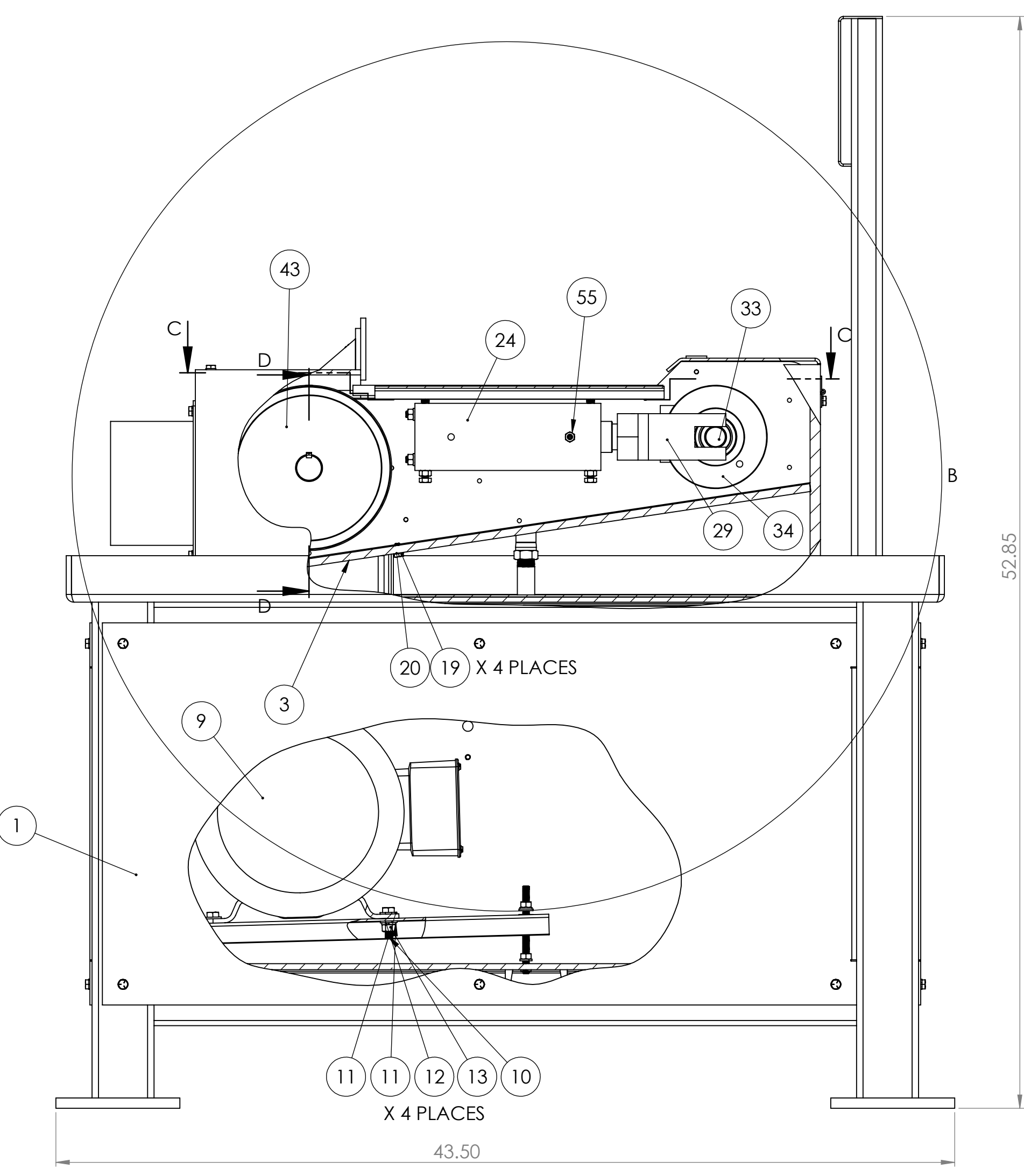
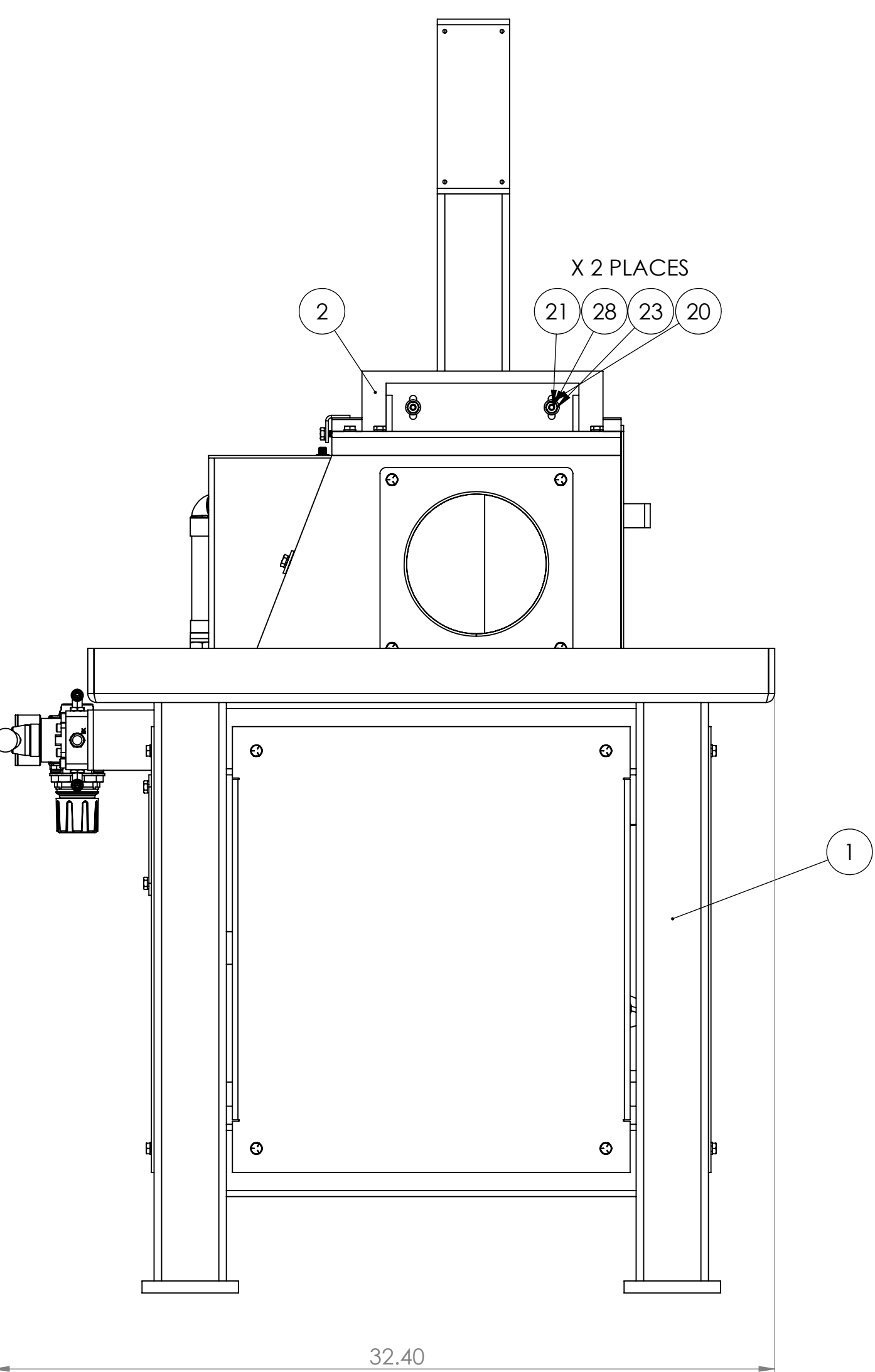
SECTION E-E



SECTION C-C



SECTION F-F  
CYLINDER TO POST  
DETAILS



SECTION A-A

ITEM NO.	PART NUMBER	DESCRIPTION	QTY.
1	716-006	STAND ASSEMBLY FOR S8HD	1
2	829-061	S8HD-S8HW WORK TABLE	1
3	291-008A	VACUUM PLATE FOR S8 UPPER HEAD ASSEMBLY	1
4	700-045	S8HD-S8HW MOTOR MOUNT PIVOT SHAFT	1
5	123-016	S6 IDLER PULLEY LOCK COLLAR	4
6	SSKA025004	1/4-20 X 1/4 SOC SET KNURL PT.	4
7	690-014	RAIL, MOTOR MOUNT FOR S 460, S6, S8 SANDERS	2
8	19100700X4.25	4-1/4 INCHES OF 5/16-18 THREADED ROD	2
9	486-032	7-1/2 HP MOTOR FOR S8D	1
10	HHC5037020	3/8-16 X 1-1/4 HHCS GR5 Z	8
11	UFWZ037	3/8 USS F/W Z	8
12	SLWZ037	3/8 SPLIT L/W Z	8
13	FHN5037	3/8-16 FHN GR5 Z	4
14	560-060	MOTOR AND SPINDLE PULLEY SHEAVE FOR S8 SANDERS	2
15	049-006	MOTOR PULLEY BUSHING FOR S8 AND S10 SANDERS	1
16	FHN5031	5/16-18 FHN GR5 ZINC	13
17	SLWZ031	5/16 SPLIT L/W Z	8
18	UFWZ031	5/16 USS F/W Z	6
19	HHC5025008	1/4-20 X 1/2 HHCS GR5 Z	4
20	SLWZ025	1/4 SPLIT L/W Z	6
21	FSCA025016	1/4-20 X 1 FSHCS	2
22	UFWZ025	1/4 USS F/W Z	2
23	FHN5025	1/4-20 FHN GR5 Z	2
24	291-025	PLATEN SUPPORT FRAME FOR S8D SANDERS	1
25	386-016	HOUSING, BEARING FOR S8 SANDERS	1
26	SHCA050024	1/2-13 X 1-1/2 SHCS	4
27	SLWZ050	1/2 SPLIT L/W Z	4
28	575-012	POST, IDLER YOKE FOR S8 SANDERS	1
29	960-007	YOKE FOR S8 SANDERS	1
30	709-010A	3/8-24 X 1-1/4 STUD FOR S8D SANDERS	1
31	FJNZ038	3/8-24 F H JAM NUT	1
32	ROLA018032	3/16 X 2 ROLL PIN	1
33	701-023	SPINDLE, IDLER FOR S8 SANDERS	1
34	560-024	IDLER PULLEY WITH BEARINGS FOR S8 SANDERS	1
35	ROLA031032	5/16 X 2 ROLL PIN	1
36	441-016ASSY	TRACKING KNOB ASSEMBLY FOR S8 AND S10 SANDERS	1
37	053-009	TRACKING BLOCK- 5/16 THREADED HOLE	1
38	053-009B	TRACKING BLOCK- 1/2-13 THREADED HOLE	1
39	SHCA025016	1/4-20 X 1 SHCS	4
40	HHC5031020	5/16-18 X 1-1/4 HHCS GR 5 Z	1
41	FJNZ050	1/2-13 F H JAM NUT Z	1
42	SPPA050020	1/2-13 X 1-1/4 SPRING PLUNGER W BROWN DELRIN NOSE ALLOY	1
43	560-023	DRIVE PULLEY FOR S8 SANDERS	1
44	701-022	SPINDLE, DRIVE FOR S8 SANDERS	1
45	044-014	SPINDLE BEARING FOR S8 DRIVE PULLEY AND S10	2
46	SSSA031012	5/16-18 X 3/4 SOC SET CUP PT	1
47	131-010	MINI PAK CYLINDER FOR S8, S10 SANDERS	1
48	SSSA032036	5/16-24 X 2-1/4 SOC SET CUP PT	4
49	FJNZ032	5/16-24 F H JAM NUT Z	4
50	FHN5032	5/16-24 FHN GR5 Z	4
51	645-022	PUSH ROD FOR S8 SANDERS	4
52	HHC5031016	5/16-18 X 1 HHCS GR5 Z	4
53	563-004	PLATEN FOR S8 SANDERS	1
54	FSCA037024	3/8-16 X 1-1/2 FSHCS	4
55	ZERK012000	1/8-27 X 11/16 STRT LUBE FITTING	1
56	049-005	SPINDLE PULLEY BUSHING FOR S8 SANDERS	1
57	912-014	VALVE, 3P ROTARY HAND VALVE	1
58	SHCA025024	1/4-20 X 1-1/2 SHCS	2
59	02530040BLN	02530040BLN 1/4 X 3 BLACK PIPE NIPPLE	1
60	641-021	REGULATOR 1/4" 125PSI RELIEVING MODULAR REGULATOR	1
61	18-013-212	18-013-212 1.5- 1/8 CBM-O-160	1
62	051-033	3VX475 V-BELT	2
63	100075CUFA	1 INCH SWEAT X 3/4 COPPER W 1/2 FNPT	1
64	90 DEGREE ELBOW	COPPER 3/4 ELBOW	2
65	.75COPPERPIPEX2L ONG	2 INCHES OF 3/4 COPPER PIPE	1
66	.75COPPERPIPEX5L ONG	5 INCHES OF 3/4 COPPER PIPE	1
67	W169PLP-4-4	W169PLP-4-4 BULK PRESTOLOK 1/4 OD X 1/4 MALE NPT ELBOW	2
68	BM-28	BM-28 1/4 AIR SILENCER	1

PROPRIETARY/CONFIDENTIAL  
THE INFORMATION CONTAINED IN THIS DRAWING IS THE SOLE PROPERTY OF KALAMAZOO. ANY REPRODUCTION IN PART OR AS A WHOLE WITHOUT THE WRITTEN PERMISSION OF KALAMAZOO COMPANY IS PROHIBITED.

UNLESS OTHERWISE SPECIFIED:	NAME	DATE
DIMENSIONS ARE IN INCHES	DRAWN	
TOLERANCES:	CHECKED	
FRACTIONS: 1/16, 1/8, 1/4	ENG APPR	
DECIMALS: .0001, .0005, .001, .005, .010, .015, .030, .050, .075, .100, .150, .200, .300, .500, .750, 1.000	AWG APPR	
THREE PLACE DECIMAL: .001, .005, .010, .015, .030, .050, .075, .100, .150, .200, .300, .500, .750, 1.000	D.A.	
INTERFERE GEOMETRIC TOLERANCES PER ASME Y14.5	COMMENTS:	
NEET ASST	USED ON	FINISH
APPLICATION	DO NOT SCALE DRAWING	

**KALAMAZOO**  
**S8 HORIZONTAL DRY MACHINE**  
 DWG. NO. **S8HD**  
 SCALE: 1:5 WEIGHT: SHEET 1 OF 1