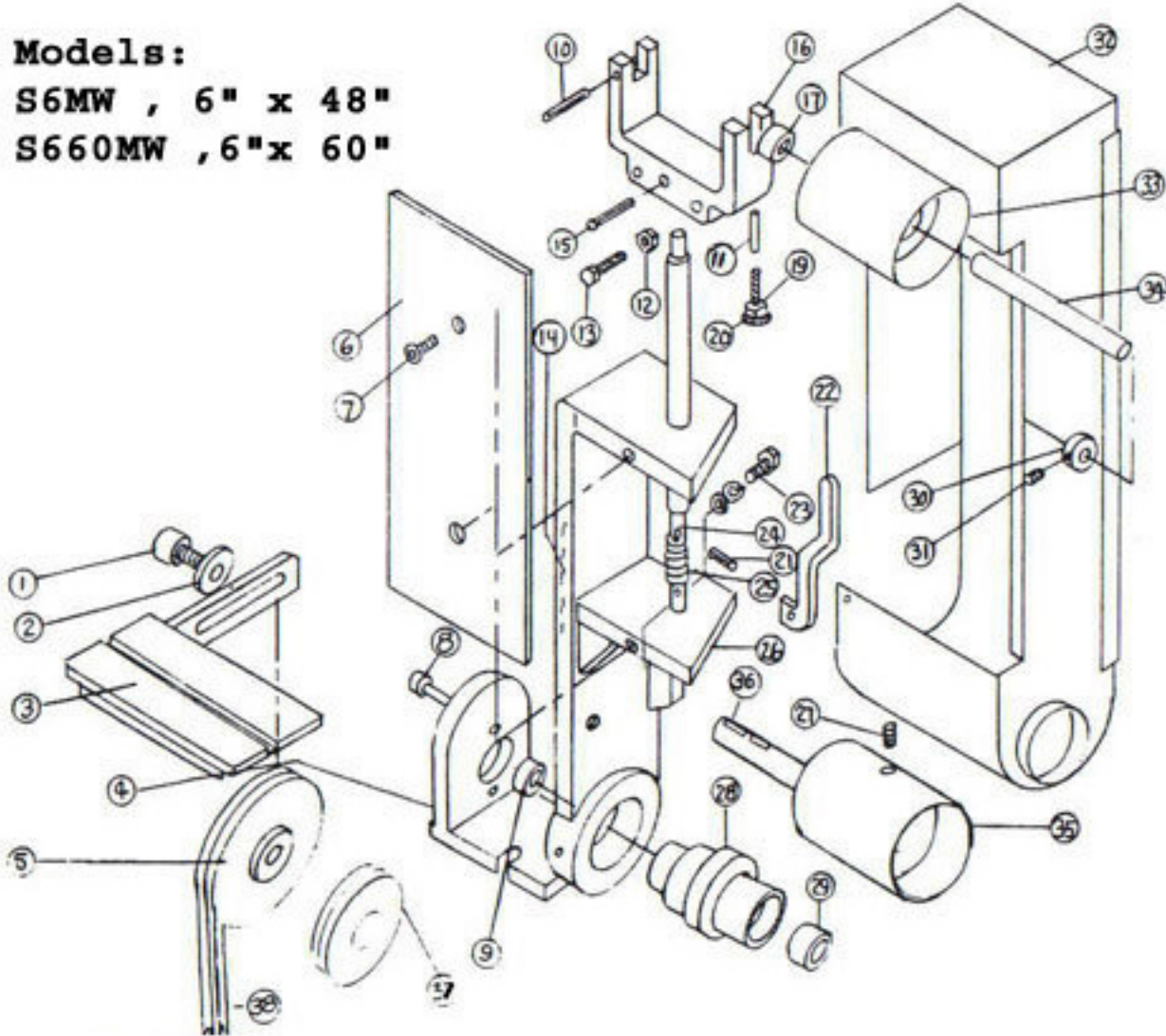


**Models:**

**S6MW , 6" x 48"**

**S660MW , 6" x 60"**



No	Part No.	Description	QTY	No.	Part No.	Description	QTY
1	-	1/2-13X1-2SHCS	1	23	-	Bolt	1
2	-	1/2" Washer	1	24	700-004W	Shaft Sold With Yoke	1
3	<a href="#">829-012</a>	Worktable	1	25	<a href="#">697-024</a>	Tension Spring	1
4	050-025	S6MW/S660MW Base	1	26	<a href="#">291-004</a>	S6MW Frame	1
5	<a href="#">560-051</a>	Spindle pulley	1	26	291-030	S660MW Frame	1
5	<a href="#">049-019</a>	Spindle bushing	1	27	-	1/4-20x3/4S.S.S	1
6	<a href="#">563-002</a>	S6 platen	1	28	<a href="#">386-013</a>	Bearing Housing	1
6	<a href="#">563-023</a>	S660 platen	1	29	<a href="#">044-001</a>	Bearing	1
7	-	5/16-18 x 1 FHSC		30	123-016	Locking Collars	2
8	-	5/16-18x1-1/4SHC		31	-	Set Screws	2
9	<a href="#">044-007</a>	Bearing	1	32	<a href="#">342-069</a>	S6MW Belt Guard	1
10	-	3/16x12 Roll Pin	1	32	342-085	S660MW Belt Guard	1
11	<a href="#">562-018</a>	Pin	1	33	560-016IPAW	Idler Pulley Assy..	1
12	-	Nut	1	34	-	Idler Spindle Sold With Pulley	1
13	-	1/4-20x2 Carriage Bolt	2	35	<a href="#">560-015W</a>	Drive Pulley	1
14	-	Serial Number	1	36	<a href="#">701-041</a>	Drive Spindle	1
15	-	3/16x2 Roll Pin	1	37	<a href="#">560-052</a>	Motor V-belt Pulley	1
16	960-006	Yoke W/ 00-004W	1	37	<a href="#">049-020</a>	Motor Bushing	1
17	<a href="#">044-004</a>	Bearing	2		<a href="#">486-006</a>	3HP 1PH Motor	1
19	-	Locking nut	1		<a href="#">486-007</a>	3HP 3PH Motor	1
20	<a href="#">441-014</a>	Tracking Knob	1		<a href="#">577-001</a>	1/4HP 1PH Pump	1
21	-	3/16X2 Roll Pin	1		<a href="#">577-002</a>	1/4HP 3PH Pump	1
22	<a href="#">455-003</a>	S6MW Tension Lever	1				
22	<a href="#">455-003A</a>	S660MW Tension Lever	1				