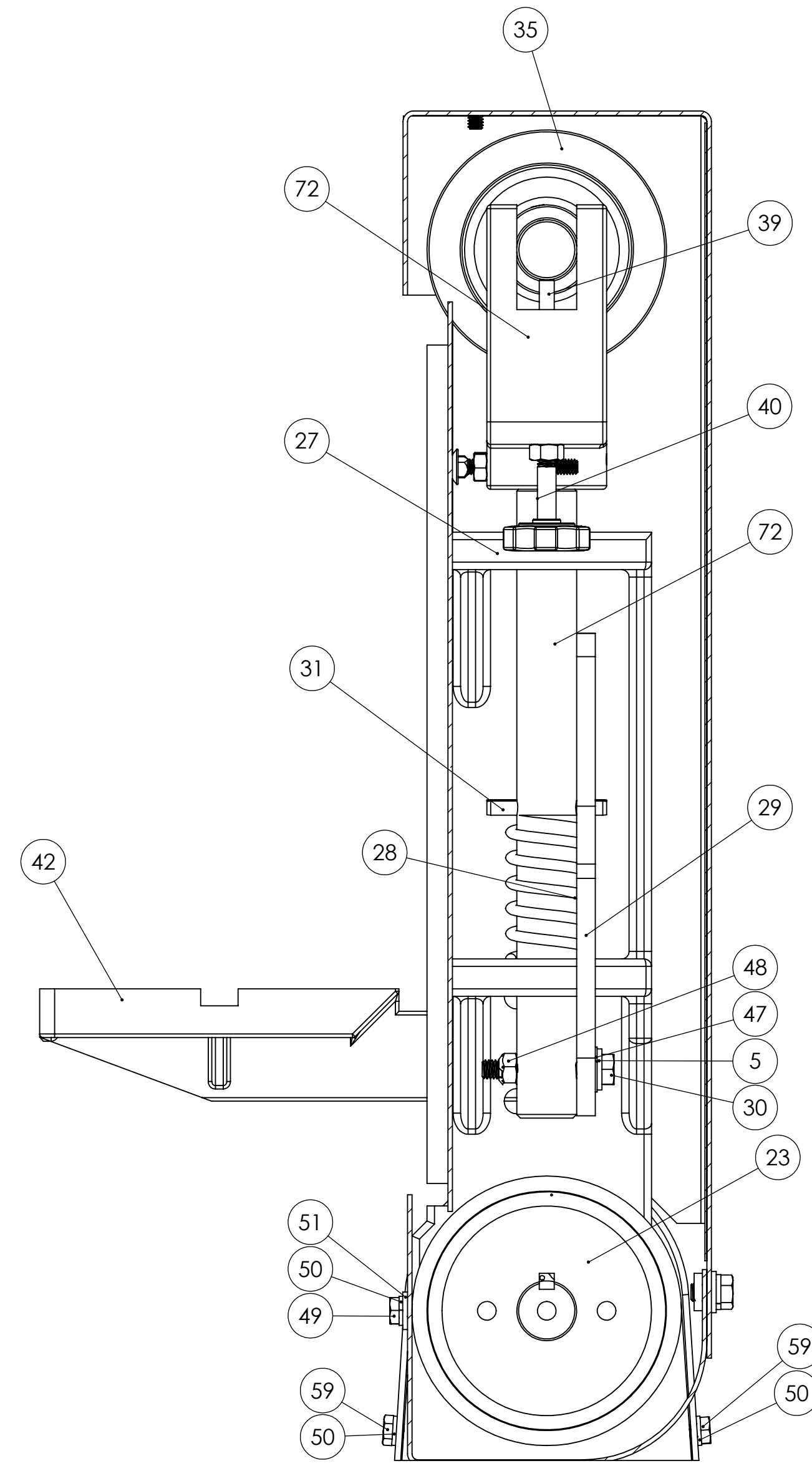
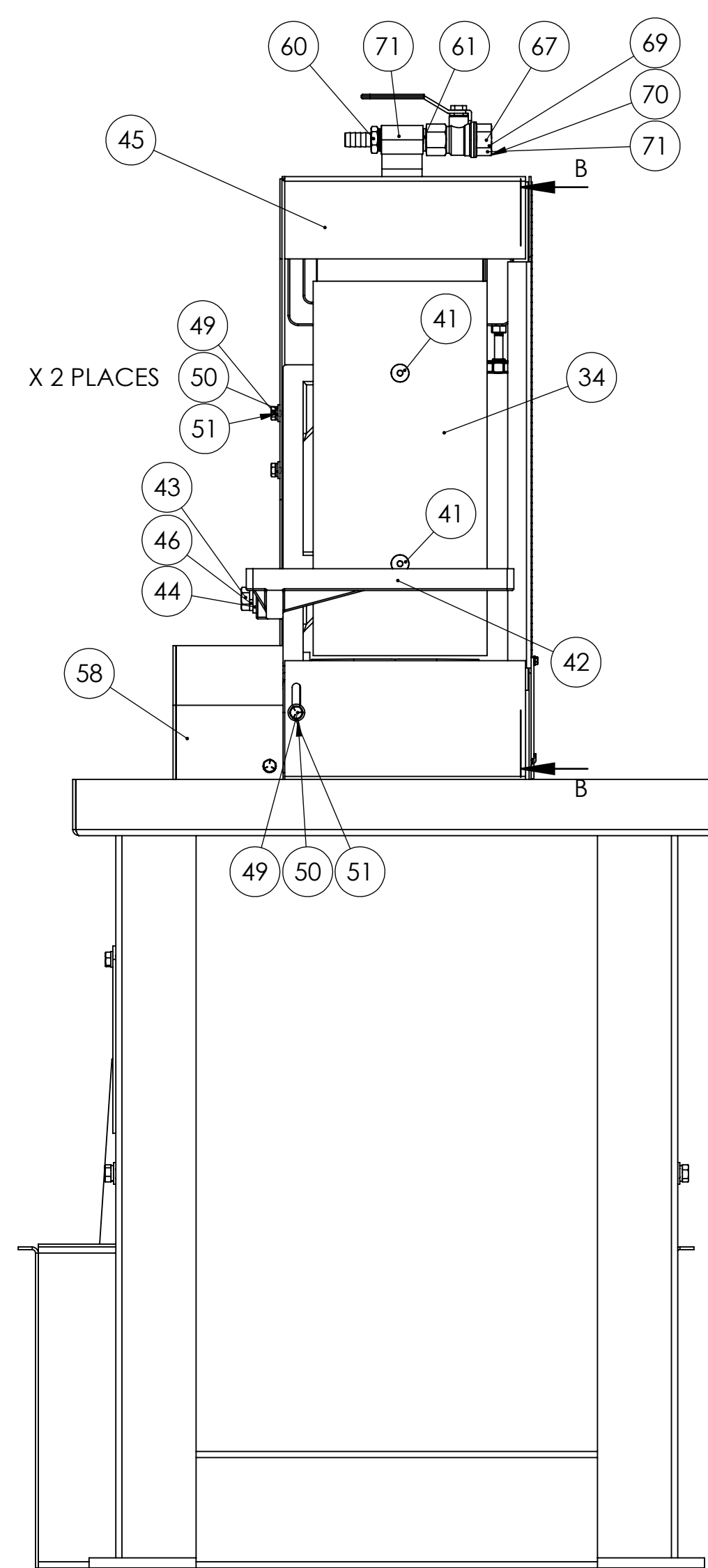
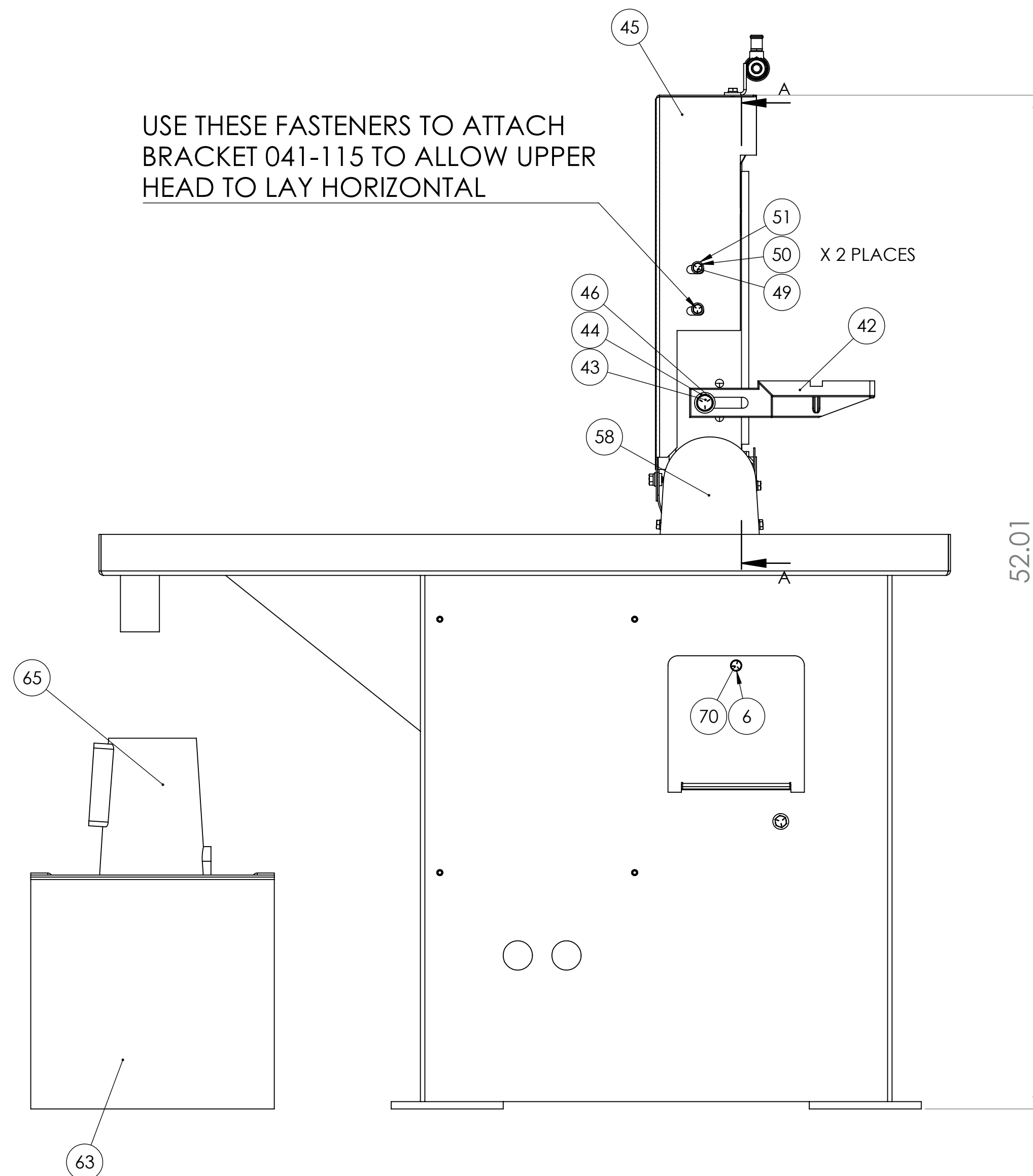
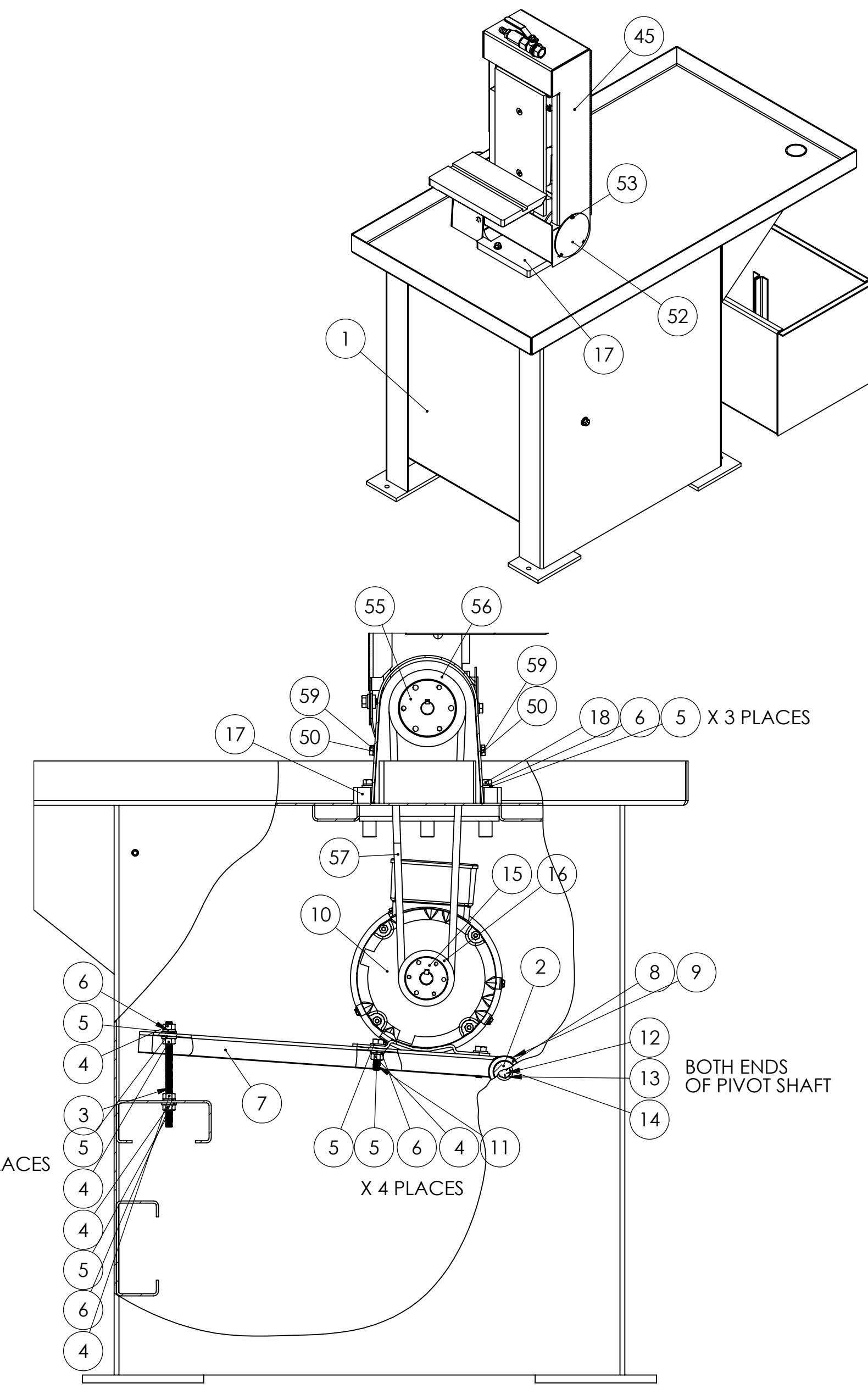
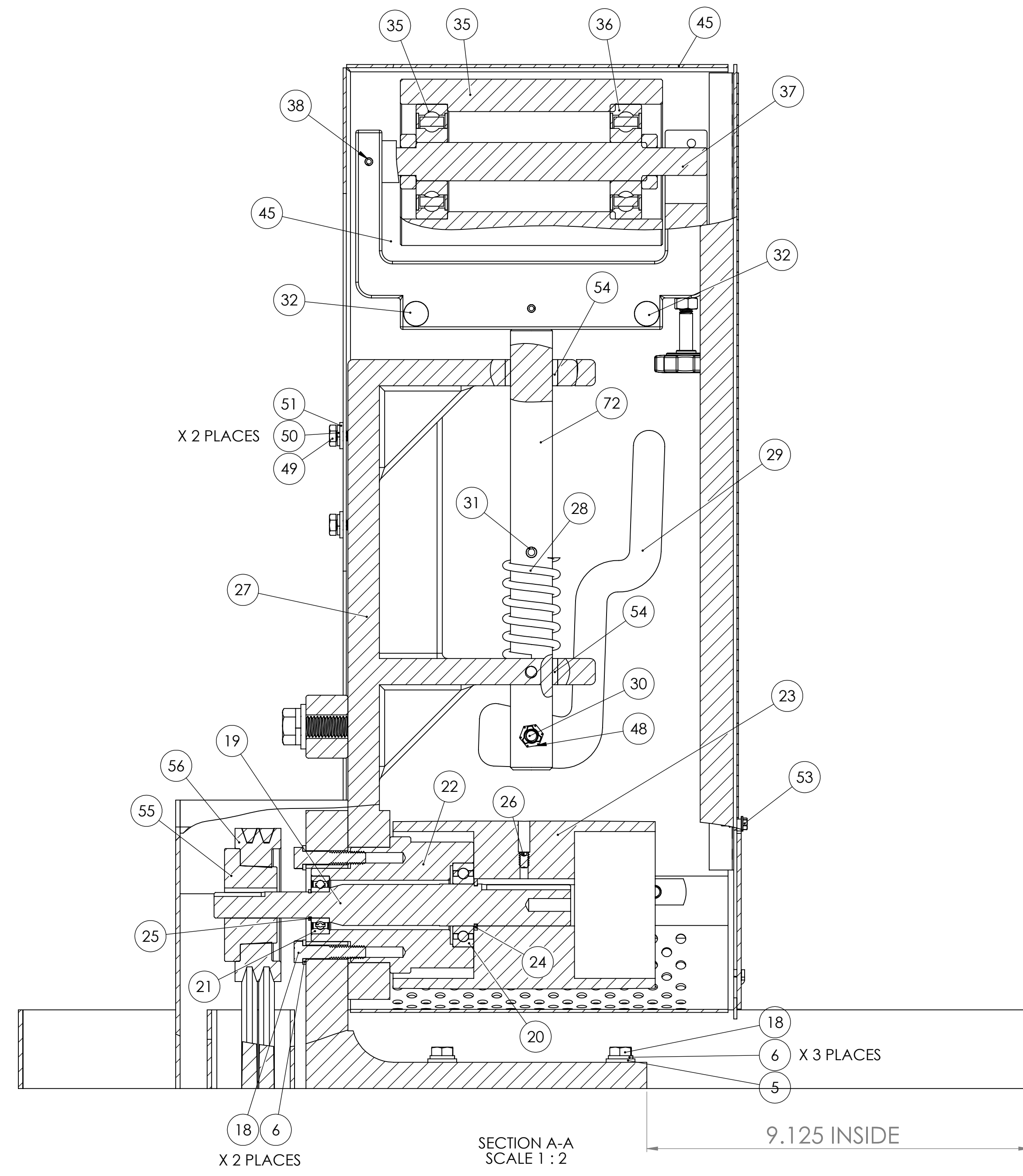
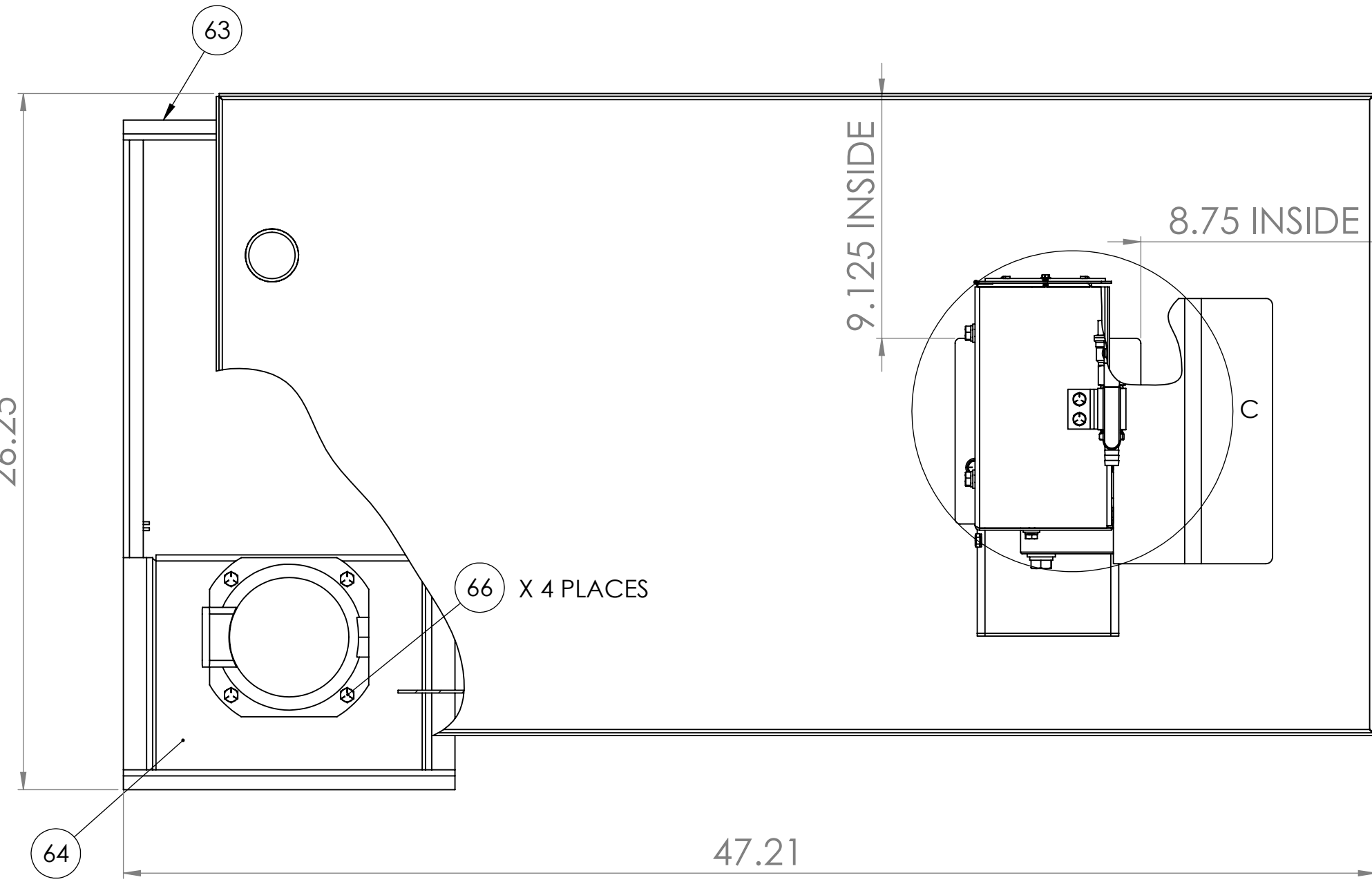


DETAIL C  
SCALE 2 : 5  
ATTACHMENT OF COOLANT  
VALVE BRACKET



SECTION B-B  
SCALE 1 : 2

ITEM NO.	PART NUMBER	DESCRIPTION	QTY.
1	716-014W	STAND ASSEMBLY FOR S6MW AND S660MW	1
2	700-046	S6MW, S660MW MOTOR MOUNT PIVOT SHAFT	1
3	RND-0.313-18X5	5 INCHES OF 5/16-18 THREADED ROD	2
4	FHN5031	5/16-18 FHN GR5 ZINC	17
5	UFW2031	5/16 USS F/W Z	18
6	SLW2031	5/16 SPLIT L/W Z	18
7	690-014	RAIL, MOTOR MOUNT FOR S 460, S6, S8 SANDERS	2
8	123-016	S6 IDLER PULLEY LOCK COLLAR	4
9	SSKA025004	1/4-20 X 1/4 SOC SET KNURL PT.	4
10	<b>SEE NOTE BELOW</b>	3HP MOTOR FOR K8B, K10B, KM10, BG260H, S460W, S6M AND S612	1
11	HHC5031020	5/16-18 X 1-1/4 HHCS GR 5 Z	4
12	HHC5037020	3/8-16 X 1-1/4 HHCS GR 5 Z	2
13	SLW2037	3/8 SPLIT L/W Z	2
14	UFW2037	3/8 USS F/W Z	2
15	049-020	MOTOR PULLEY BUSHING FOR S6MW, S6MW & S612	1
16	560-052	MOTOR PULLEY SHEAVE FOR S6MW, S612 AND S460W	1
17	050-025	CAST IRON BASE FOR S612V-S6MW	1
18	HHC5031024	5/16-18 X 1-1/2 HHCS GR 5 Z	5
19	701-041	K10 BEARING	1
20	044-001	K12 BEARING	1
21	044-007	K10 BEARING	1
22	384-013	S6 BEARING HOUSING	1
23	560-015	S6 DRIVE PULLEY	1
24	641-007	RETAINING RING 1" FOR S6, S460W, S612 DRIVE SPINDLE	1
25	641-016	RETAINING RING FOR S6, S460W, S612	1
26	SSHA025006	1/4-20 X 3/8 SOC SET 1/2 DOG	1
27	291-004 WET	CAST IRON FRAME FOR S6MW SANDERS	1
28	697-024	S6 BELT TENSION SPRING	1
29	455-003	TENSION RELEASE LEVER FOR S6 SANDER HEADS	1
30	HHT5031032	5/16-18x2 HEX HEAD TAP BOLT GR5 ZINC	1
31	ROLA025024	1/4 X 1-1/2 ROLL PIN	1
32	CRB2025032	1/4-20 X 2 CARRIAGE BOLT ZINC PLATED	2
33	FHN5025	1/4-20 FHN GR5 Z	2
34	563-002	S6 BELT PLATEN	1
35	560-016PA	S6 IDLER PULLEY ASSEMBLY	1
36		K20 SPINDLE BEARING	2
37		S6 IDLER SPINDLE- NEW STYLE	1
38	ROLA18032	3/16 X 2 ROLL PIN	1
39	DOWA025032	1/4 X 2 DOWEL PIN	1
40	441-014	TRACKING KNOB ASSEMBLY	1
41	FSCA031012	5/16-18 X 3/4 FSHCS	2
42	829-012	S6 WORK TABLE	1
43	HHC5050032	1/2-13 X 2 HHCS GR5 Z	1
44	SPW2050	1/2 SAE F/W Z	1
45	342-069W	GUARD, FULL BOXED OSHA FOR S6MW SANDERS	1
46	SLW2050	1/2 SPLIT L/W Z	1
47	BWWA031	5/16 BOWED SPRING WASHER 21/64	1
48	STN2031	5/16-18 STOVER LOCK NUT ZINC-WAX	1
49	HHC5025012	1/4-20 X 3/4 HHCS GR 5 Z	3
50	SLW2025	1/4 SPLIT L/W Z	7
51	UFW2025	1/4 USS F/W Z	3
52	342-069C	BLANK COVER FOR S6M SANDER OSHA GUARD	1
53	HWTZ008008	#8 X 1/2 HWH TEKS Z	1
54	049-064	RLB AA-1232-4 OILTITE STRAIGHT BUSHING 1 X 1-1/4 X 3/4	2
55	049-019	SPINDLE PULLEY BUSHING FOR S460W, S6MW, S612 & BG272	1
56	560-051	SPINDLE PULLEY SHEAVE FOR S6MW, S612 & S460W	1
57	051-003	3VX335 V-BELT (2 REQUIRED) FOR S612 SANDER	2
58	342-134	V-BELT GUARD FOR S6MW AND S660MW SANDERS	1
59	HHC5025008	1/4-20 X 1/2 HHCS GR 5 Z	4
60	BN44	HOSE BARB 1/2H X 1/2MNTP	1
61	050CL40BLN	050CL40BLN 1/2 BLACK CLOSE NIPPLE	1
62	912-030	JOM 100-703 BRONZE BALL VALVE FULL PORT-1/2	1
63	716-011	COOLANT TANK ASSEMBLY FOR S460W, S6MW, S6MW, K12-14MS, K12-14W	1
64	041-114	1/4 TO 1/2 H.P. COOLANT PUMP MOUNTING BRACKET FOR WET SANDERS	1
65	<b>SEE NOTE BELOW</b>	1/4HP COOLANT PUMP AND MOTOR	1
66	HHC5031016	5/16-18 X 1 HHCS GR 5 Z	4
67	8450-22	1/2" LINE-LOC HOSE SEGMENT- 12IN LONG	1
68	8450-27	CONNECTOR FOR 1/2" LINE-LOC HOSE	1
69	8550-225	2" GRAY FLARE NOZZLE FOR 1/2" LINE-LOC HOSE	1
70	HHC5031008	5/16-18 X 1/2 HHCS GR 5 Z	1
71	389-004	COOLANT HOSE MOUNTING BRACKET ASSEMBLY W FLEXIBLE HOSE & FITTINGS	1
72	960-006W	YOKE WITH TENSION SHAFT FOR S6 WET SANDERS	1

**IMPORTANT NOTES**

- #35 560-016PA INCLUDES:**  
PULLEY, BEARINGS, COLLARS AND IDLER SPINDLE
- #10 MAIN MOTOR PART NUMBERS**  
1PH: 486-006S  
3PH: 486-007
- #65 PUMP MOTORS PART NUMBERS**  
1PH: 577-001  
3PH: 577-002

**PROPRIETARY/CONFIDENTIAL**  
THE INFORMATION CONTAINED IN THIS DRAWING IS THE SOLE PROPERTY OF KALAMAZOO. IT IS TO BE USED FOR THE MANUFACTURE OF THE PART IDENTIFIED HEREIN AND IS NOT TO BE REPRODUCED OR TRANSMITTED IN ANY FORM OR BY ANY MEANS, ELECTRONIC OR MECHANICAL, INCLUDING PHOTOCOPYING, RECORDING, OR BY ANY INFORMATION STORAGE AND RETRIEVAL SYSTEM, WITHOUT THE WRITTEN PERMISSION OF KALAMAZOO.

UNLESS OTHERWISE SPECIFIED:  
DIMENSIONS ARE IN INCHES  
TOLERANCES:  
FRACTIONS: ± .005  
DECIMALS: ± .001  
THREE PLACE DECIMAL: ± .0005

INTERFERENCE FITS:  
TOLERANCES PER ASME Y14.5

DATE: \_\_\_\_\_  
DRAWN BY: \_\_\_\_\_  
CHECKED BY: \_\_\_\_\_  
ENG APPR: \_\_\_\_\_  
MFG APPR: \_\_\_\_\_  
D.A. COMMENTS: \_\_\_\_\_

TITLE: **S6MW WET BELT SANDER**  
SIZE: DWG. NO. **E S6MW** REV \_\_\_\_\_  
SCALE: 1:5 WEIGHT: \_\_\_\_\_ SHEET 1 OF 1

NEUT KEY USED ON FINISH DO NOT SCALE DRAWING APPLICATION