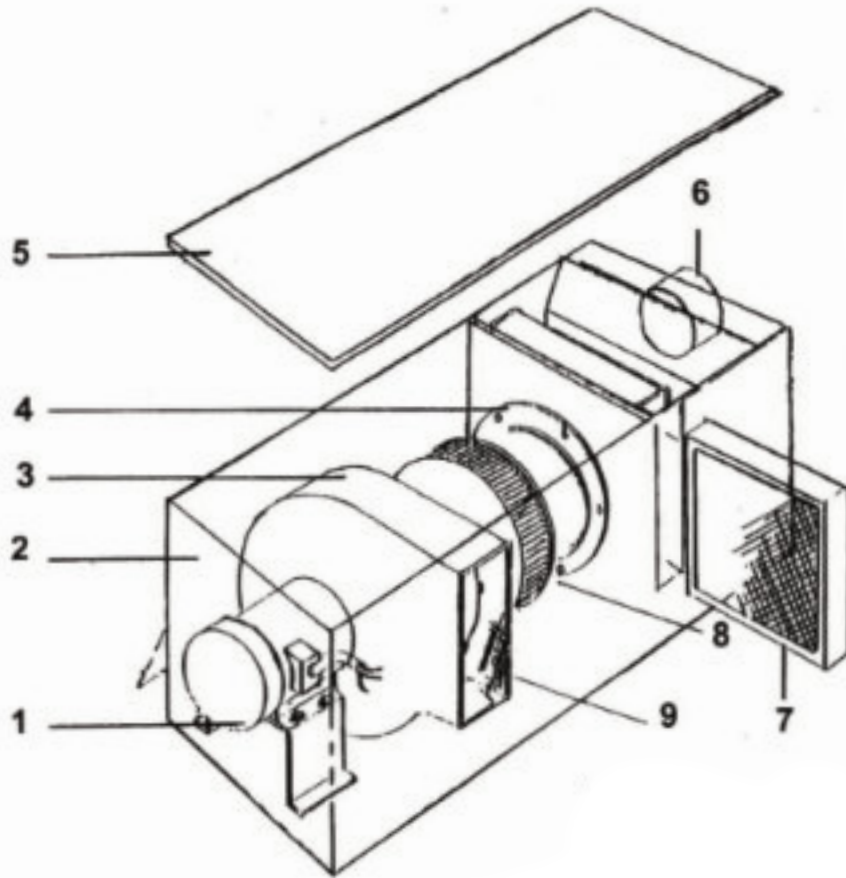


ITEM NO.	PART NUMBER	DESCRIPTION	QTY.
1	050-020	S6 BASE	1
2	560-015	S6 DRIVE PULLEY	1
3	701-018	S6 DRIVE SPINDLE	1
4	386-013	S6 BEARING HOUSING	1
5	044-007	K10 BEARING	1
6	044-007 K10 BEARING	K12 BEARING	1
7	291-004	S6 FRAME PLATEN	1
8	SHCA031024	5/16-18 X 1-1/2 SHCS	2
9	700-004	S6 TENSION SHAFT	1
10	697-024	S6 BELT TENSION SPRING	1
11	455-003	S6 TENSION LEVER	1
12	HHT5031032	5/16-18x2 HEX HEAD TAP BOLT GR5 ZINC	1
13	FHN5031	5/16-18 FHN GR5 ZINC	2
14	UFWZ031	5/16 USS F/W Z	6
15	ROLA025024	1/4 X 1-1/2 ROLL PIN	1
16	960-006	S6 IDLER PULLEY YOKE W SHAFT	1
17	CRBZ025032	1/4-20 X 2 CARRIAGE BOLT ZINC PLATED	2
18	FHN5025	1/4-20 FHN GR5 Z	2
19	563-002	S6 BELT PLATEN	1
20	560-016IPA	S6 IDLER PULLEY ASSEMBLY W BEARINGS	1
21	701-019-N	S6 IDLER SPINDLE- NEW STYLE	1
22	123-016	S6 IDLER PULLEY LOCK COLLAR	2
23	SSKA025004	1/4-20 X 1/4 SSCPT CUP POINT	2
24	ROLA018032	3/16 X 2 ROLL PIN	2
25	DOWA025032	1/4 X 2 DOWEL PIN	1
26	441-014	TRACKING KNOB ASSEMBLY	1
27	FSCA031016	5/16-18 X 1 FSHCS	2
28	829-012	S6 WORK TABLE	1
29	HHC5050032	1/2-13 X 2 HHCS GR5 Z	1
30	SFWZ050	1/2 SAE F/W Z	1
31	SSHA025006	1/4-20 X 3/8 SOC SET 1/2 DOG	1
32	148-001	S6 LO75 COUPLING ASSEMBLY	1
33	486-007	3HP, 3450RPM, 3PH, 60HZ, 56H, 3532M, TEFC, F1, N	1
34	HHC5031012	5/16-18 X 3/4 HHCS GR5 Z	4
35	SLWZ031	5/16 SPLIT L/W Z	4
36	342-069	S6 BELT GUARD ASSEMBLY	1
37	SLWZ050	1/2 SPLIT L/W Z	1
38	342-023	S6 COUPLING GUARD	1

PROPRIETARY AND CONFIDENTIAL
 THE INFORMATION CONTAINED IN THIS DRAWING IS THE SOLE PROPERTY OF KALAMAZOO INDUSTRIES, INC. ANY REPRODUCTION IN PART OR AS A WHOLE WITHOUT THE WRITTEN PERMISSION OF KALAMAZOO INDUSTRIES, INC. IS PROHIBITED.

UNLESS OTHERWISE SPECIFIED:		NAME		DATE		
DIMENSIONS ARE IN INCHES		DRAWN				
TOLERANCES:		CHECKED				TITLE:
FRACTIONAL ±		ENG APPR.				SIZE DWG. NO.
ANGULAR MATCH ± BEND ±		MTG APPR.				S6 BELT SANDER ASSEMBLY
TWO PLACE DECIMAL ±		D.A. COMMENTS:				REV
THREE PLACE DECIMAL ±						SCALE: 1:5 WEIGHT: SHEET 1 OF 1
INTERPRET GEOMETRIC TOLERANCING PER:		NEXT ASSY		USED ON		
MATERIAL		APPLICATION		DO NOT SCALE DRAWING		



MODEL DCV-6 DUST COLLECTOR

<u>ITEM</u>	<u>PART NUMBER</u>	<u>DESCRIPTION</u>
1	486-002	1HP 1PH MOTOR
1	486-004	1HP 3PH MOTOR
2	124-005	CABINET
3	386-026	FAN HOUSING
4	004-005	INLET CONE
5	124-006	CABINET COVER
6	342-069B	4" PORT
7	294-003	FILTER
8	-	EXHAUST OUTLET
9	296-001	SQUIRREL CAGE FAN

DIMENSIONS:

L 17"-1/2" X 26" W X 18" H

To Disassemble:

Remove bolts from motor base. Lift assembly straight up and out. Remove cone inlet #4. Take blower fan off motor shaft. Bolts hold fan housing to motor.

Note: Keep filter clean for best efficiency. Tap filter on floor or wash under faucet for cleanings.



**KALAMAZOO
INDUSTRIES, INC**

6856 East K Avenue
Kalamazoo, MI 49048
(269) 382-2050 PH
(269) 382-0790 Fax
www.kalamazooind.com