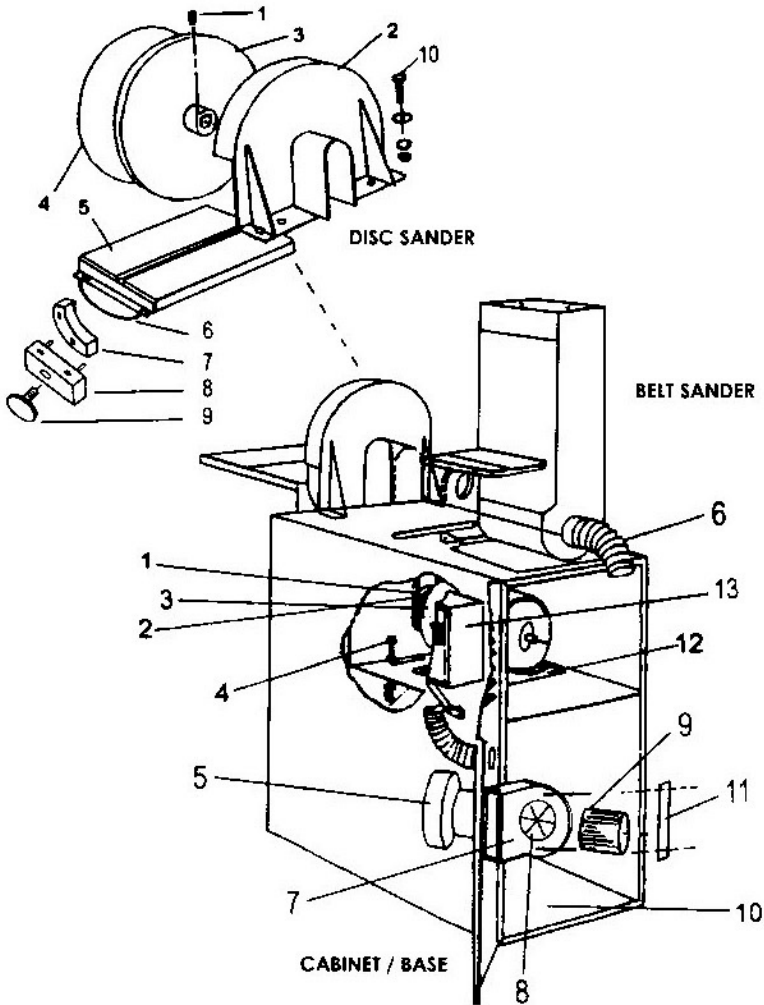


CABINET AND DISC SANDER PARTS DIAGRAM S612V-1, S612V-3



Disc Sander			
No.	Part No.	Description	QTY
1		Set Screw	1
2	342-036	Disc Guard	1
3	160-002	Aluminum Disc Holder	1
4		12" Sanding Disc	1
5	829-035	Cast Iron Work Table	1
6	831-031	Trunnion/Bracket	1
7	146-009	Clamp	2
8	053-132	Blocks	2
9	441-017	Knobs	2
10		Bolts	2

Cabinet/Base			
No.	Part No.	Description	QTY
1	051-007	V-Belts (2 Required)	2
2	560-052	2-Groove Motor Pulley (Bushing Sold Separately)	1
	049-020	Motor Bushing (Not Showing)	1
3	486-006	3Hp 1Ph Drive Motor	1
	486-007	3Hp 3Ph Motor	1
4		5/16-18x1-1/2	2
5	486-022	1/2Hp 1Ph Vac Motor	1
	486-030	1/2Hp 3Ph Vac Motor	1
6	389-002	4" Vac Hose (4' required)	1
7	386-031	Fan Housing	1
8	296-003	Fan Housing	1
9	294-006	Filter Cartridge	1
10	150-001	Cabinet & Base	1
11	041-063	Bracket	1
12	050-026	Motor Base Assembly	1
13		Switch (Call For Part Number)	1

WARRANTY

All products are guaranteed for a period of one year to the original purchaser, against defects in material workmanship under normal use. Electric motors are warranted by the motor manufacturer and will be repaired by the nearest motor repair station. If non-repairable, they will be replaced by Kalamazoo Industries. Please call for instructions 269-382-2050.

RETURN POLICY

Authorization must be obtained before returning merchandise. Please call our customer service department for a return authorization number at 269-382-2050. Please include with your return a copy of your invoice or packing slip. Materials must be sent back prepaid. (Unless otherwise indicated). All returns will be subject to a 10% restocking charge. No returns will be accepted after one year of invoice date.

KALAMAZOO INDUSTRIES, INC.
 6856 East K Avenue
 Kalamazoo, MI 49048
 269-382-2050 PH
 269-382-0790 FAX
www.kalamazooindustries.com



Made in U.S.A.