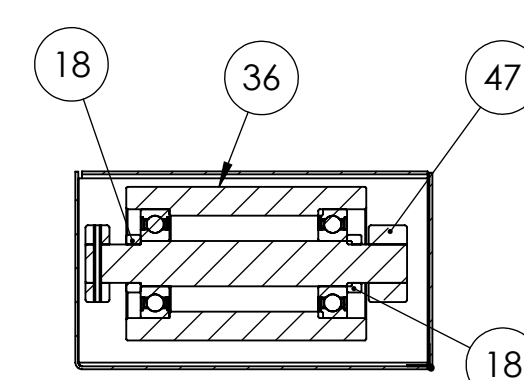
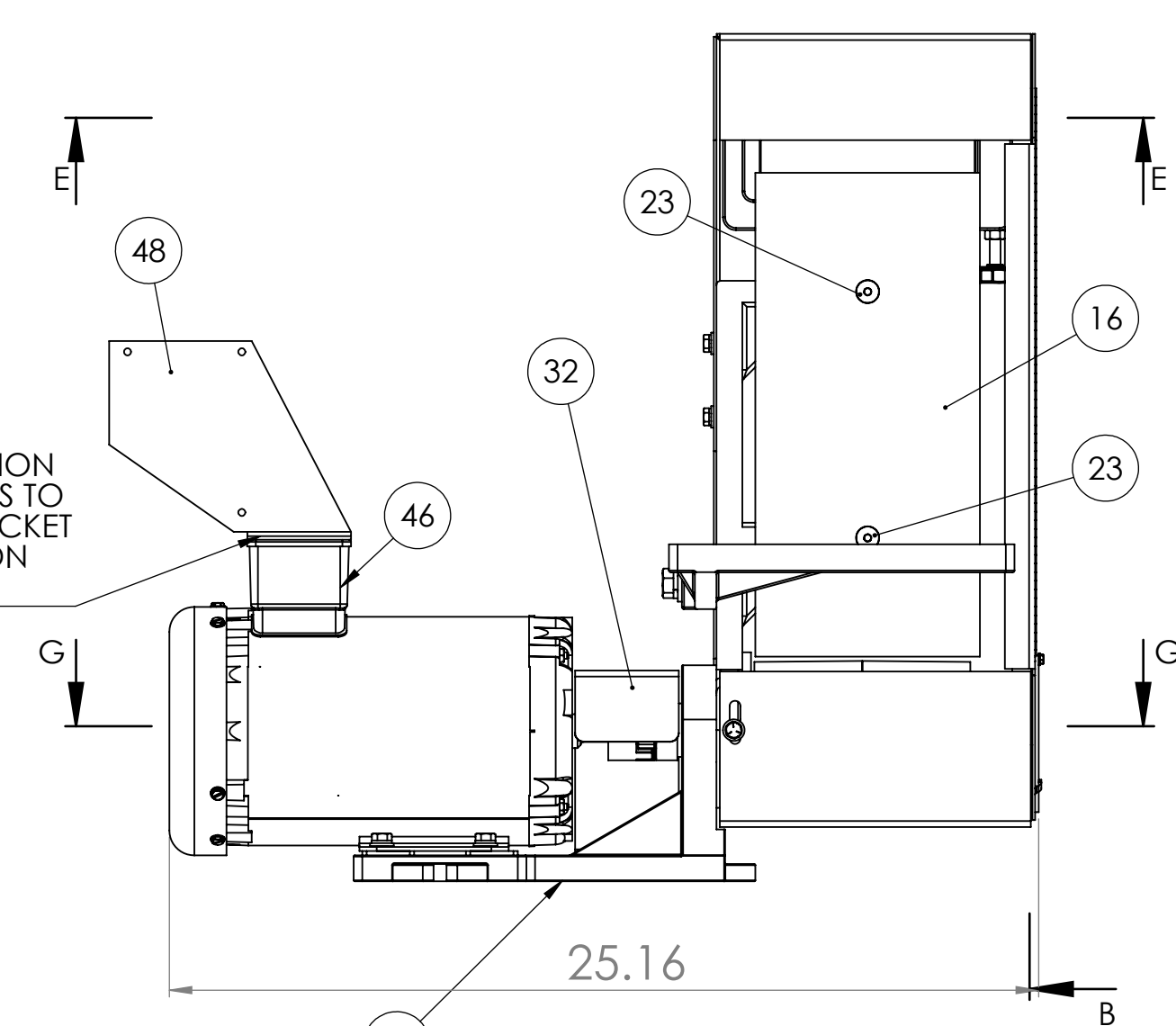


DETAIL D  
SCALE 1 : 2

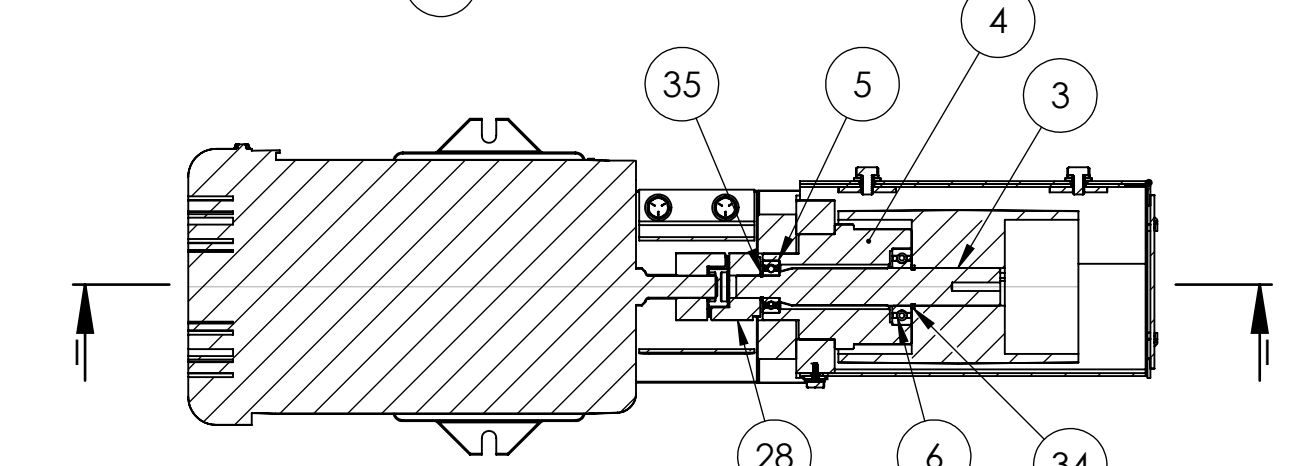


SECTION E-E

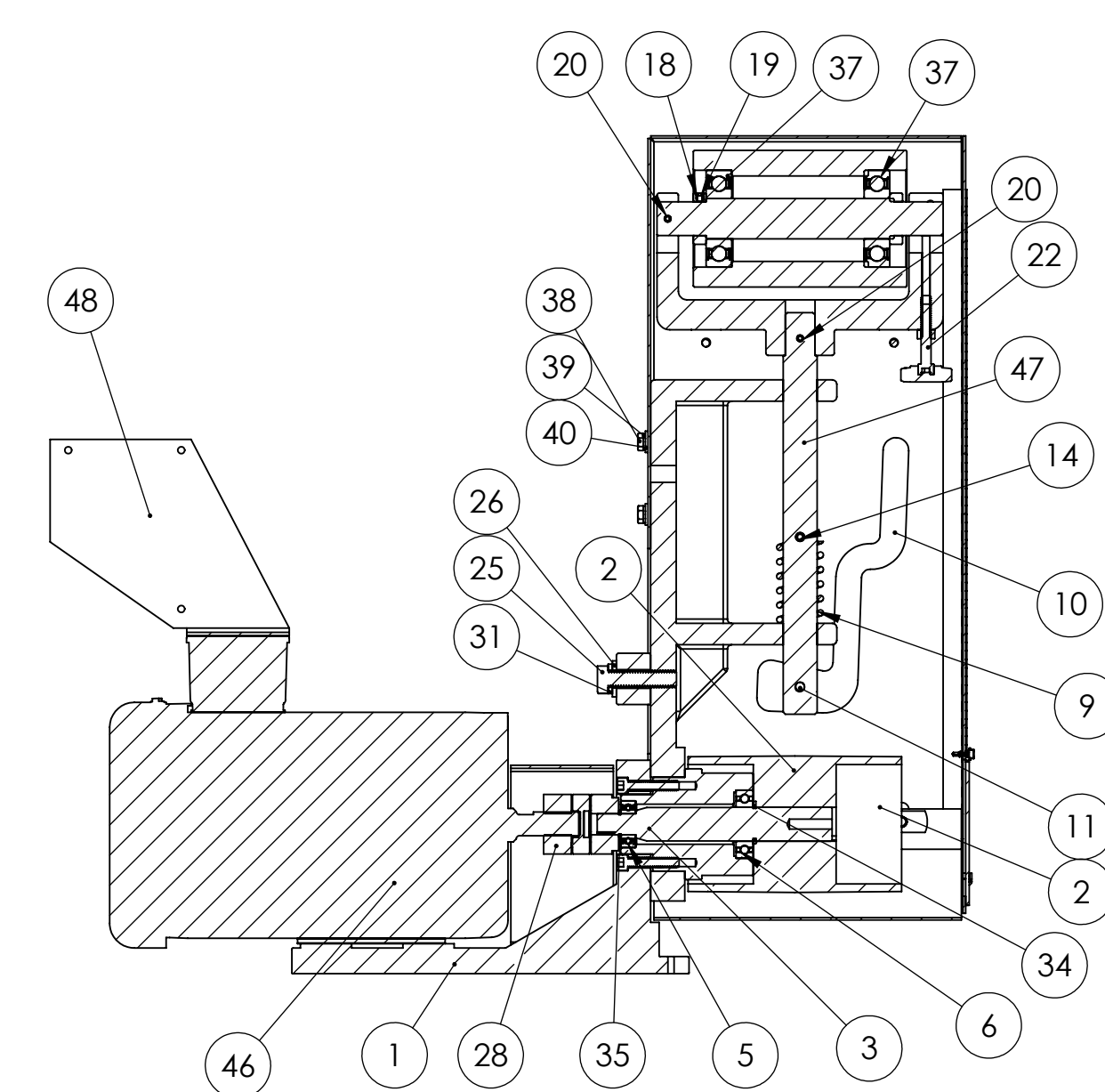


USE EXISTING JUNCTION BOX COVER SCREWS TO FASTEN SWITCH BRACKET TO MOTOR JUNCTION BOX

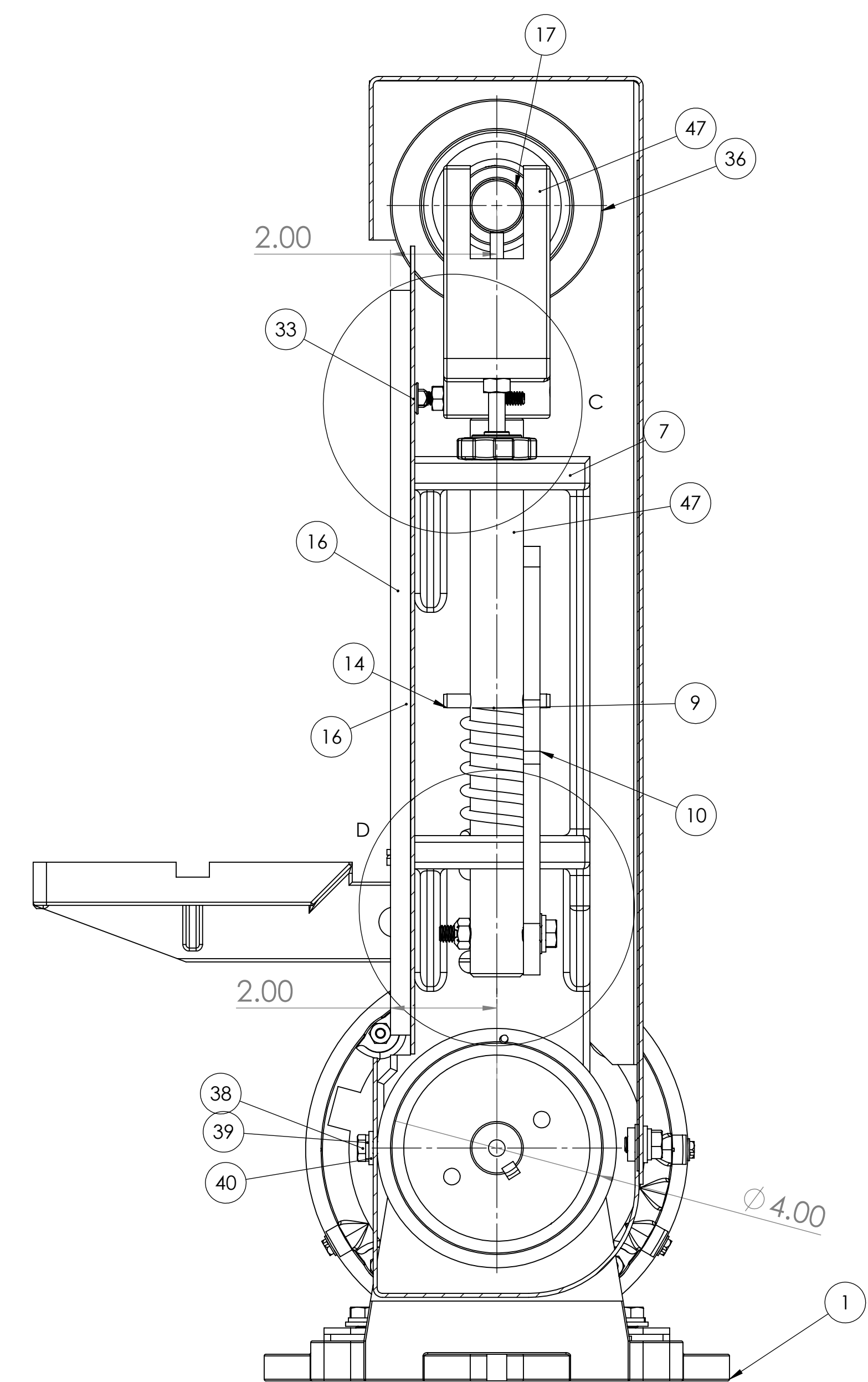
25.16



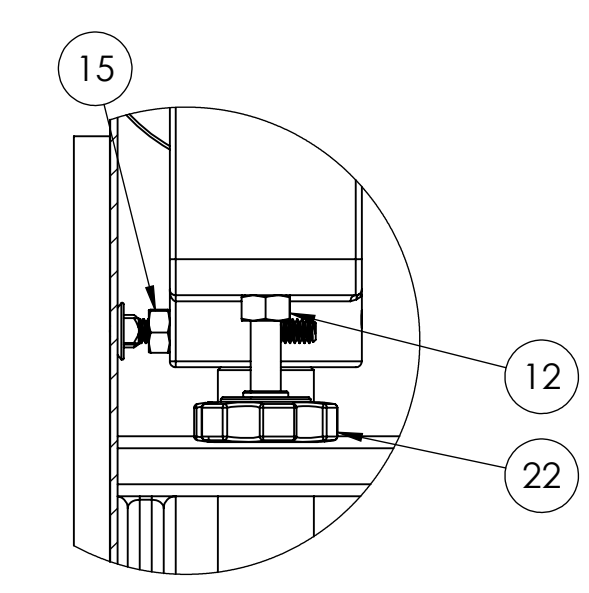
SECTION G-G



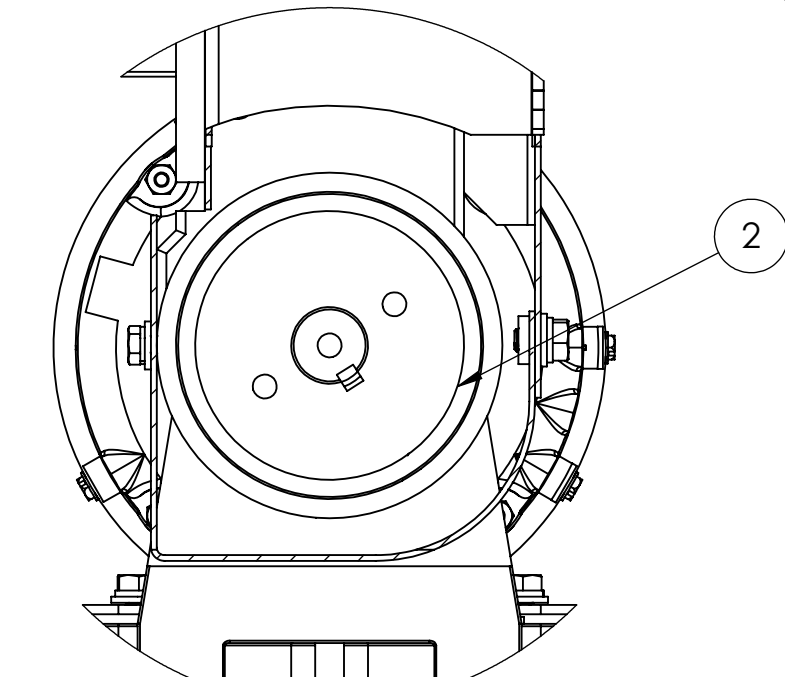
SECTION H



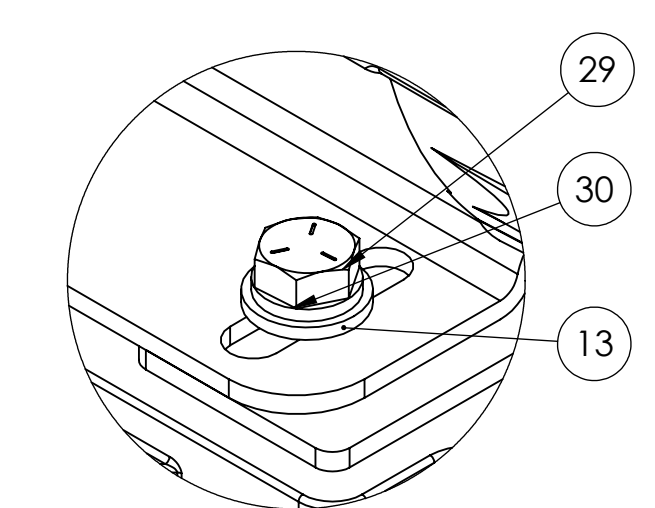
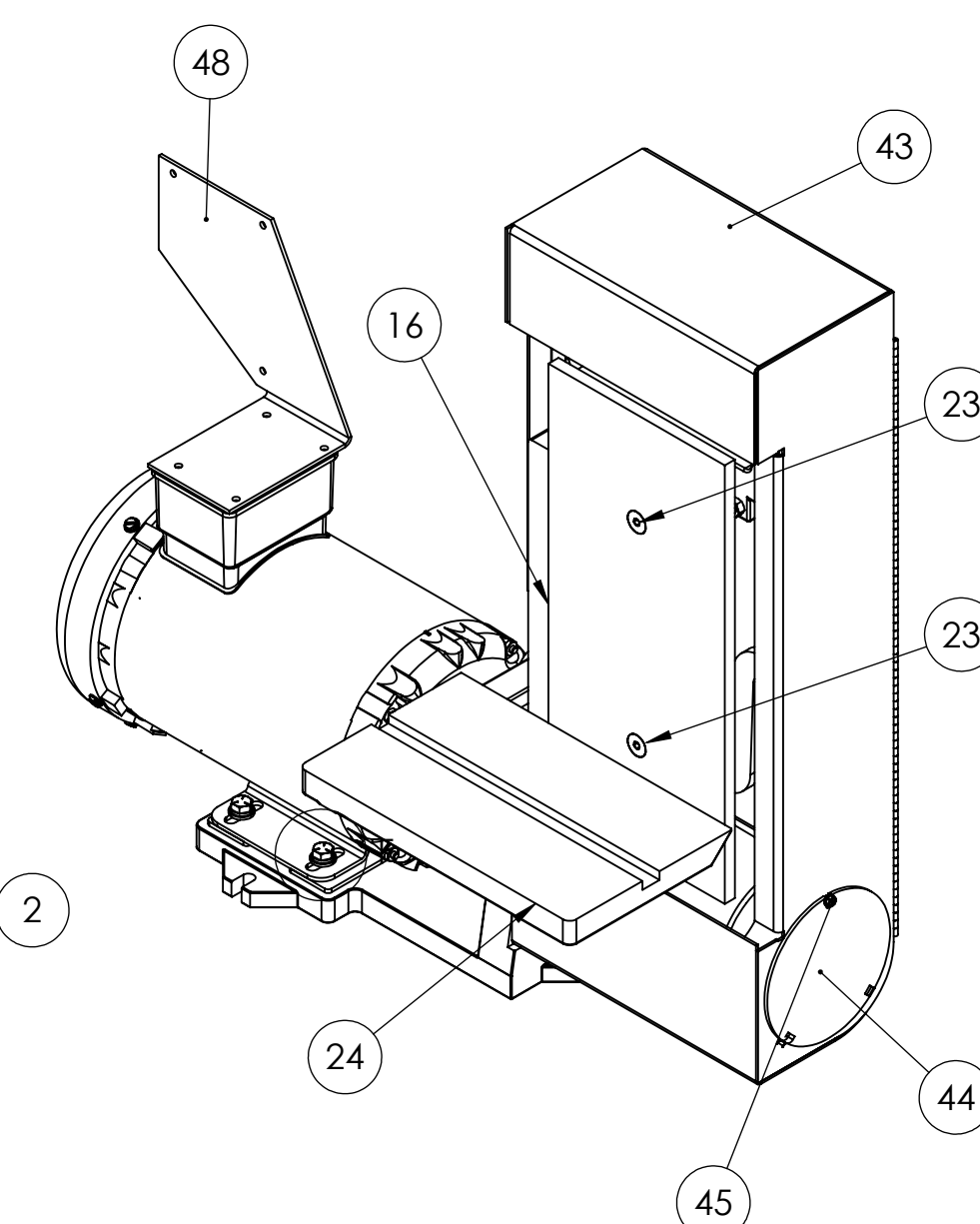
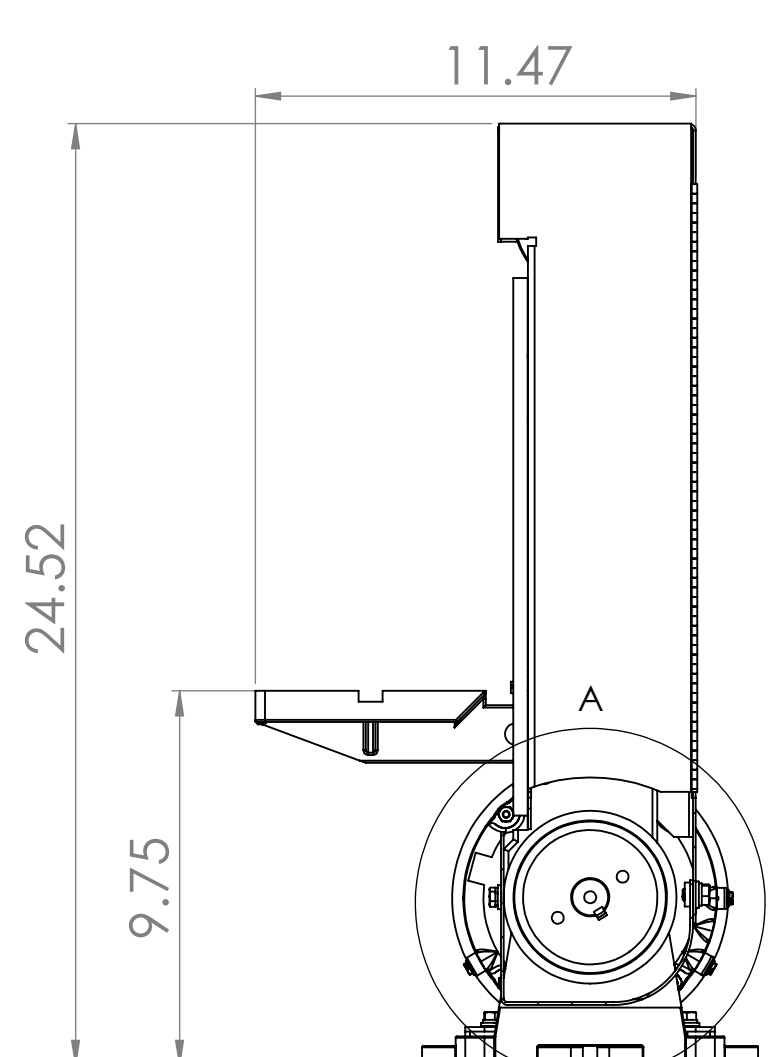
SECTION B-B  
SCALE 1 : 2



DETAIL C  
SCALE 1 : 2



DETAIL A  
SCALE 2 : 5



DETAIL F  
SCALE 1 : 1

ITEM NO.	PART NUMBER	DESCRIPTION	QTY.
1	050-020	S6 BASE	1
2	560-015	S6 DRIVE PULLEY	1
3	701-018	S6 DRIVE SPINDLE	1
4	386-013	S6 BEARING HOUSING	1
5	044-007	K10 BEARING	1
6	044-001	K12 BEARING	1
7	291-004	CAST IRON FRAME FOR S6M, S612 SANDERS	1
8	SHCA031024	5/16-18 X 1-1/2 SHCS	2
9	697-024	S6 BELT TENSION SPRING	1
10	455-003	TENSION RELEASE LEVER FOR S6 SANDER HEADS	1
11	HHT5031032	5/16-18x2 HEX HEAD TAP BOLT GR5 ZINC	1
12	FHN5031	5/16-18 FHN GR5 ZINC	1
13	UFWZ031	5/16 USS F/W Z	7
14	ROLA025024	1/4 X 1-1/2 ROLL PIN	1
15	FHN5025	1/4-20 FHN GR5 Z	2
16	563-002	S6 BELT PLATEN	1
17		S6 IDLER SPINDLE- NEW STYLE	1
18		S6 IDLER PULLEY LOCK COLLAR	2
19	SSKA025004	1/4-20 X 1/4 SOC SET KNURL PT.	2
20	ROLA018032	3/16 X 2 ROLL PIN	2
21	DOWA025032	1/4 X 2 DOWEL PIN	1
22	441-014	TRACKING KNOB ASSEMBLY	1
23	FSCA031012	5/16-18 X 3/4 FSHCS	2
24	829-012	S6 WORK TABLE	1
25	HHC5050032	1/2-13 X 2 HHCS GR5 Z	1
26	SFWZ050	1/2 SAE F/W Z	1
27	SSHA025006	1/4-20 X 3/8 SOC SET 1/2 DOG	1
28	148-001	S6 COUPLING ASSEMBLY	1
29	HHC5031012	5/16-18 X 3/4 HHCS GR5 Z	6
30	SLWZ031	5/16 SPLIT L/W Z	6
31	SLWZ050	1/2 SPLIT L/W Z	1
32	342-023	S6 COUPLING GUARD	1
33	CRBZ025032	1/4-20 X 2 CARRIAGE BOLT ZINC PLATED	2
34	641-007	RETAINING RING 1" FOR S6, S460W, S612 DRIVE SPINDLE	1
35	641-016	RETAINING RING FOR S6, S460W, S612	1
36	560-016IPA	S6 IDLER PULLEY ASSEMBLY	1
37		K20 SPINDLE BEARING	2
38	HHC5025008	1/4-20 X 1/2 HHCS GR5 Z	3
39	SLWZ025	1/4 SPLIT L/W Z	3
40	UFWZ025	1/4 USS F/W Z	3
41	BWWA031	5/16 BOWED SPRING WASHER 21/64	1
42	STNZ031	5/16-18 STOVER LOCK NUT ZINC-WAX	1
43	342-069	S6 BELT GUARD ASSEMBLY	1
44	342-069C	BLANK COVER FOR S6M SANDER OSHA GUARD	1
45	HWTZ008008	#8 X 1/2 HWH TEKS Z	1
46	486-007	3HP MOTOR FOR K8B, K10B, KM10, BG260H, S460W, S6M AND S612	1
47	960-006YA	YOKE WITH TENSION SHAFT FOR S6 SANDERS	1
48	041-091	BRACKET FOR S6M WITH ROTARY SWITCH	1

PROPRIETARY AND CONFIDENTIAL  
THE INFORMATION CONTAINED IN THIS DRAWING IS THE SOLE PROPERTY OF KALAMAZOO INDUSTRIES, INC. ANY REPRODUCTION IN PART OR AS A WHOLE WITHOUT THE WRITTEN PERMISSION OF KALAMAZOO INDUSTRIES, INC. IS PROHIBITED.

UNLESS OTHERWISE SPECIFIED:	NAME	DATE
DIMENSIONS ARE IN INCHES		
FRACTIONAL: ±	DRAWN	
ANGULAR: ± MACH ±	CHECKED	
TWO PLACE DECIMAL ±	ENG APPR.	
THREE PLACE DECIMAL ±	MFG APPR.	
INTERPRET GEOMETRIC TOLERANCING PER:	Q.A.	
MATERIAL	COMMENTS:	
FINISH		
APPLICATION		

REV	NO.	DATE	BY
D	1		

TITLE:	S6 BELT SANDER ASSEMBLY
SCALE:	1:5
WEIGHT:	
SHEET	1 OF 1

