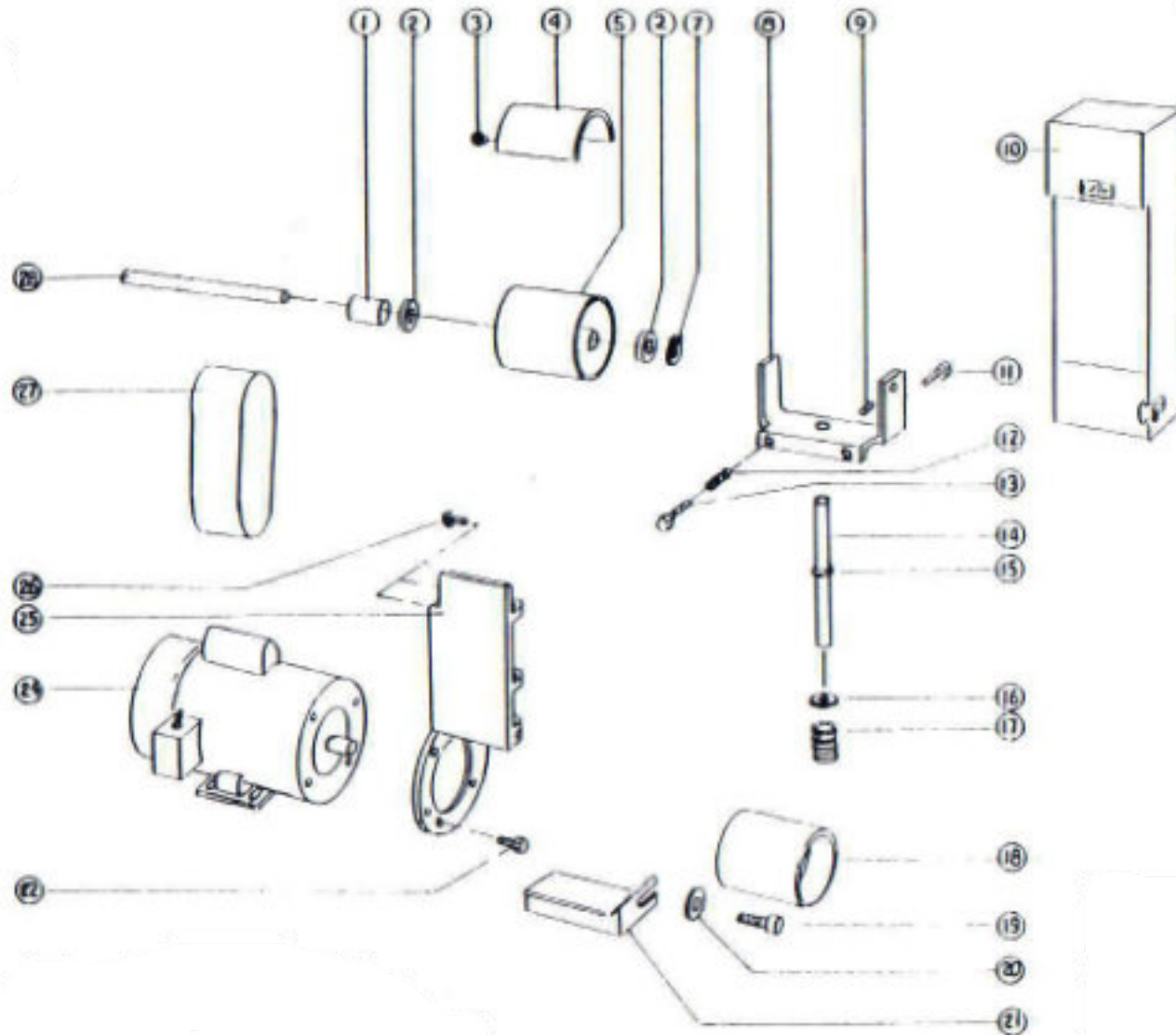


PARTS LIST FOR S4-S4S BELT SANDERS



ITEM	PART NO	DESCRIPTION	QTY
1	123-003	COLLAR	1
2	-	BEARINGS	2
3	-	1/2-20X1/2rhms	2
4	342-005	U M B R E L L A GUARD	1
5	560-006	IDLER PULLEY W/ BEARINGS	1
6	-	-	0
7	5100-50	RETAINING CLIP	1
8	960-002	YOKE W/TENSION SHAFT	1
9	-	10-24x3/8 SSC	1
10	342-022	OSHA GUARD	1
11	-	T R A C K I N G SCREW	1
12	697-011	SPRING	1
13	-	10-24X1-1/2FH	1
14	700-001	SOLD W/ 960-002	1
15	5100-50	RETAINING CLIP	1
16	-	1/2" WASHER	1
17	697-010	TENSION SPRING	1
18	560-005	DRIVE PULLEY	1
19	-	5/16X3/4HHCS	1
20	-	5/16 WASHER	1
21	829-004	WORK TABLE	1
22	-	3/8-16X 3/4HHCS	4
23	-	-	0
24	486-022	1/2HP 1PH MOTOR	1
25	291-002	FRAME	1
26	-	1/4-20X1/2HHCS	2
27	-	4" X 36" BELT	1
28	701-008	IDLER SPINDLE	1

KI KALAMAZOO
INDUSTRIES, INC.

6856 E K AVE
KALAMAZOO, MI 49048
(269) 382-2050 PHONE
(269) 382-0790 FAX
www.kalamazooind.com