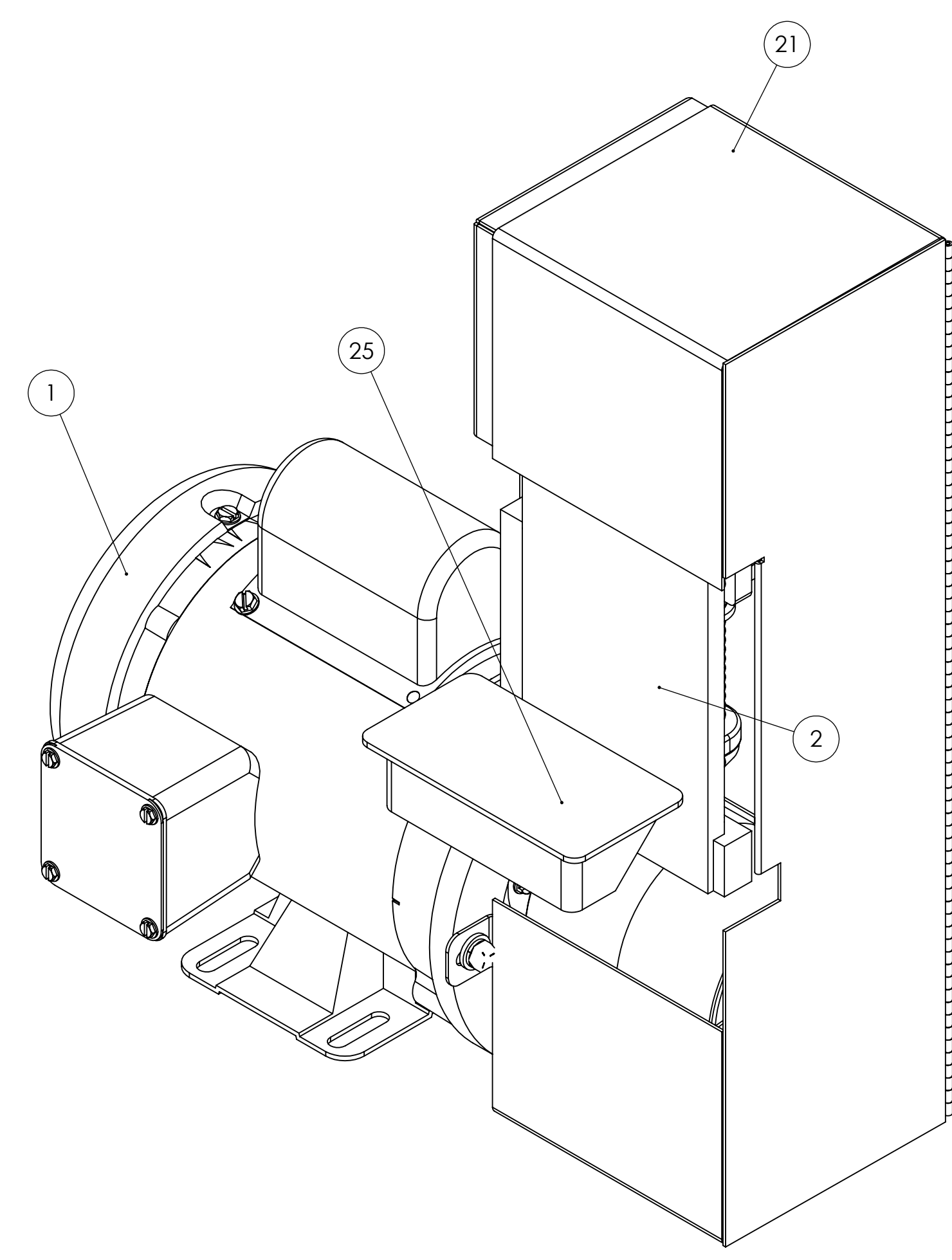
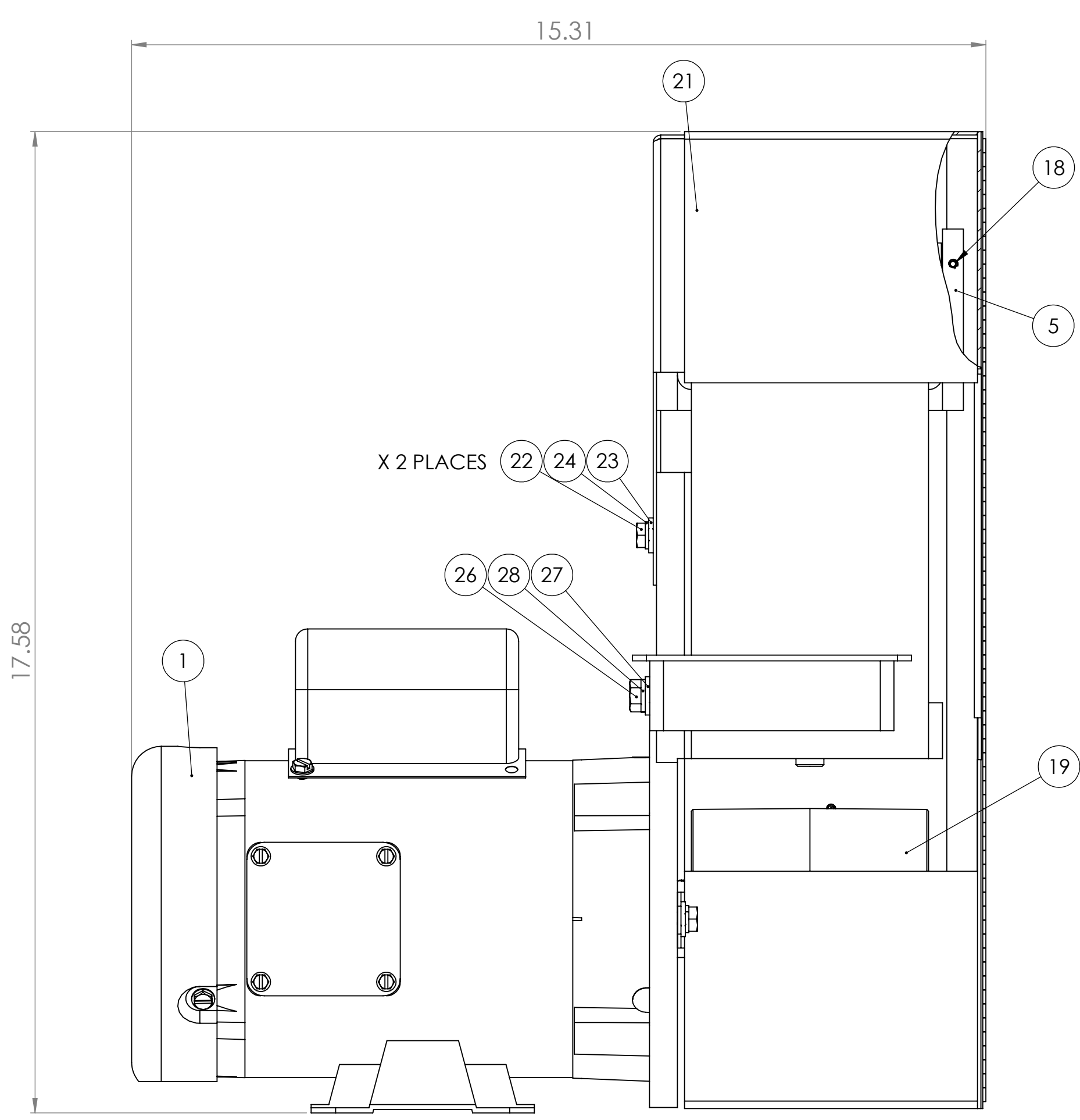


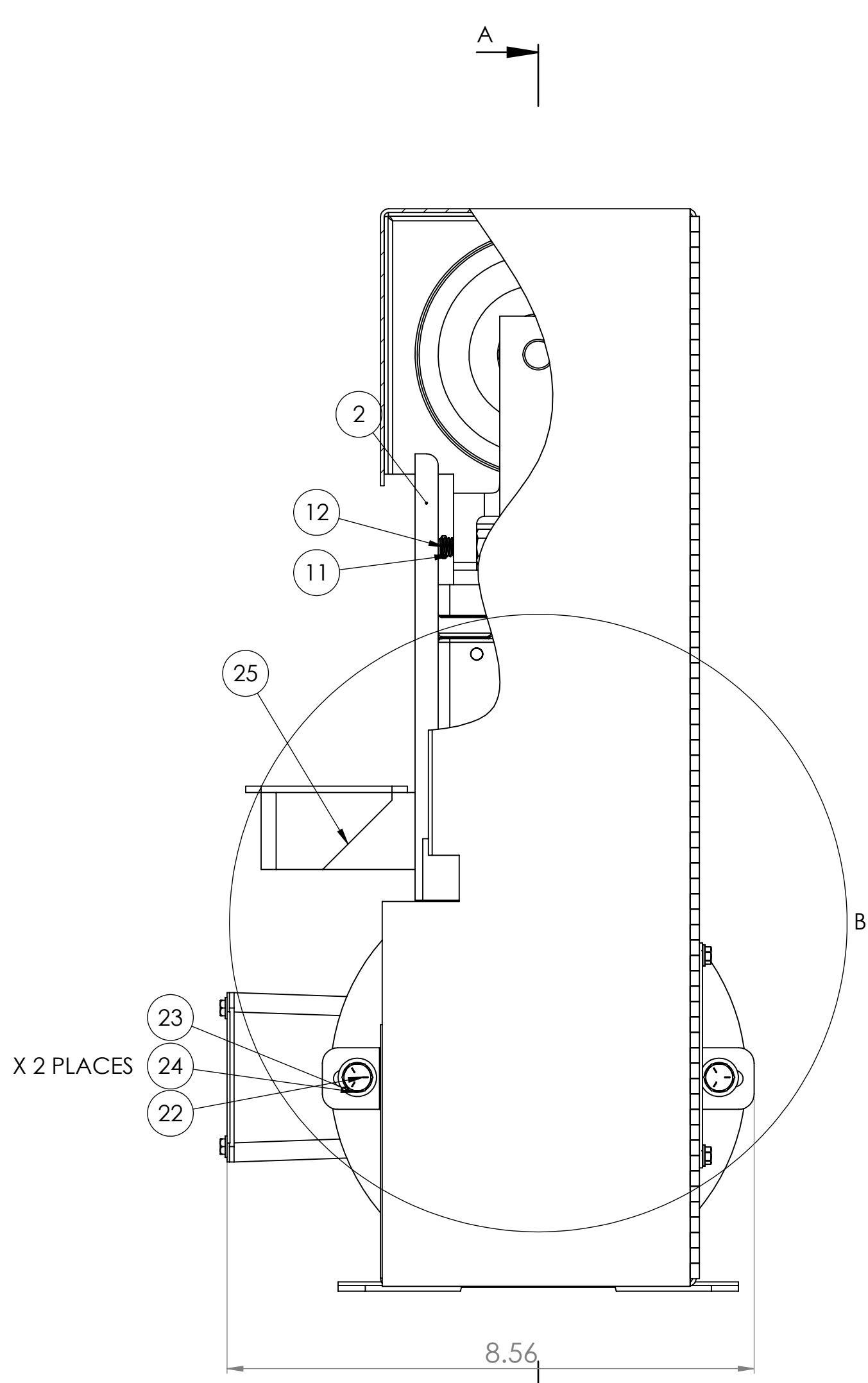
DETAIL C  
DETAIL OF DRIVE PULLEY SET-SCREW



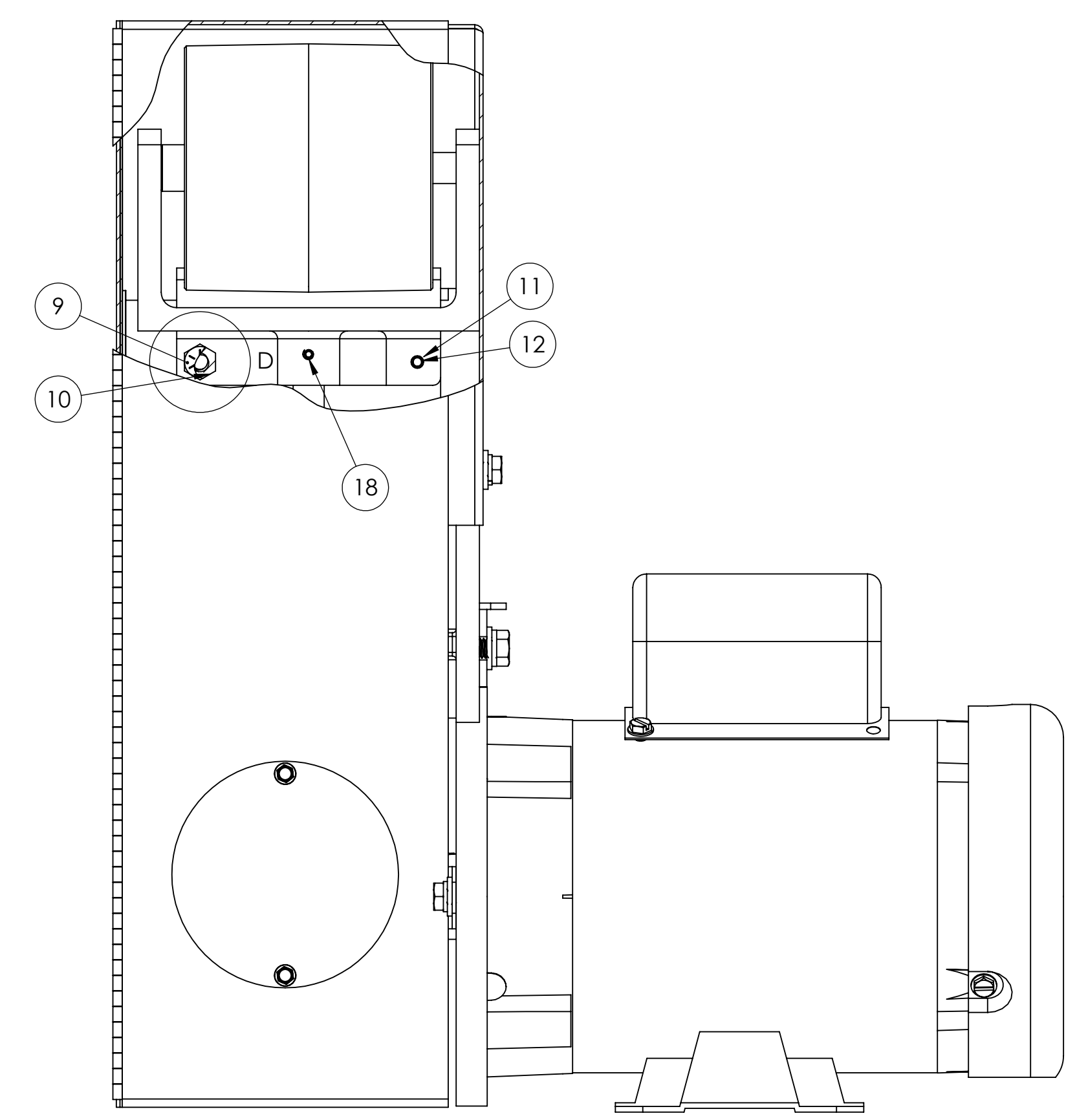
ITEM NO.	PART NUMBER	DESCRIPTION	QTY.
1	486-022	1/2HP MOTOR FOR 2FSM, S4S AND S612V VAC MOTOR	1
2	291-002	CAST IRON FRAME WITH PLATEN FOR S4, S4S, DS10-4	1
3	SHCA037012	3/8-16 X 3/4 SHCS	4
4		YOKE SHAFT FOR S4 SANDER	1
5	960-002YA	YOKE AND TENSION SHAFT ASSEMBLY	1
6	EERR0.5	EERR1/2 1/2" E RETAINING RING	2
7	UFWZ050	1/2 USS F/W Z	1
8	697-010	SPRING, TENSION FOR S4 SANDERS	1
9	HHC5031020	TRACKING SCREW	1
10	FHN5031	5/16-18 FHN GR5 ZINC	1
11	697-011	TRACKING SPRING FOR S4	1
12	CRM2010024	10-24 X 1-1/2 COMBO ROUND M/S Z	1
13	129-008	CAM FOR S4 TENSION SHAFT	1
14	RUDZ007008	#7 X 1/2 RD U-DRIVE SCREW Z	1
15	701-008	SPINDLE, IDLER FOR S4, S460 SANDERS	1
16	560-006	IDLER PULLEY S4 W BEARINGS FOR S4S AND S460	1
17	123-003	COLLAR FOR S4	1
18	SSKA010004	10-24 X 1/4 SOC SET KNURL PT	2
19	560-005	PULLEY, DRIVE (ALUMINUM) FOR S4, S4S, S460D	1
20	SSKA025006	1/4-20 X 3/8 SOC SET KNURL PT.	1
21	342-022	GUARD, OSHA FOR S4S, DS10-4S SANDER	1
22	HHC5025008	1/4-20 X 1/2 HHCS GR5 Z	4
23	UFWZ025	1/4 USS F/W Z	4
24	SLWZ025	1/4 SPLIT L/W Z	4
25	829-004	WORK TABLE FOR 2', 4', DS10-4 SANDERS	1
26	HHC5031012	5/16-18 X 3/4 HHCS GR5 Z	1
27	UFWZ031	5/16 USS F/W Z	1
28	SLWZ031	5/16 SPLIT L/W Z	1



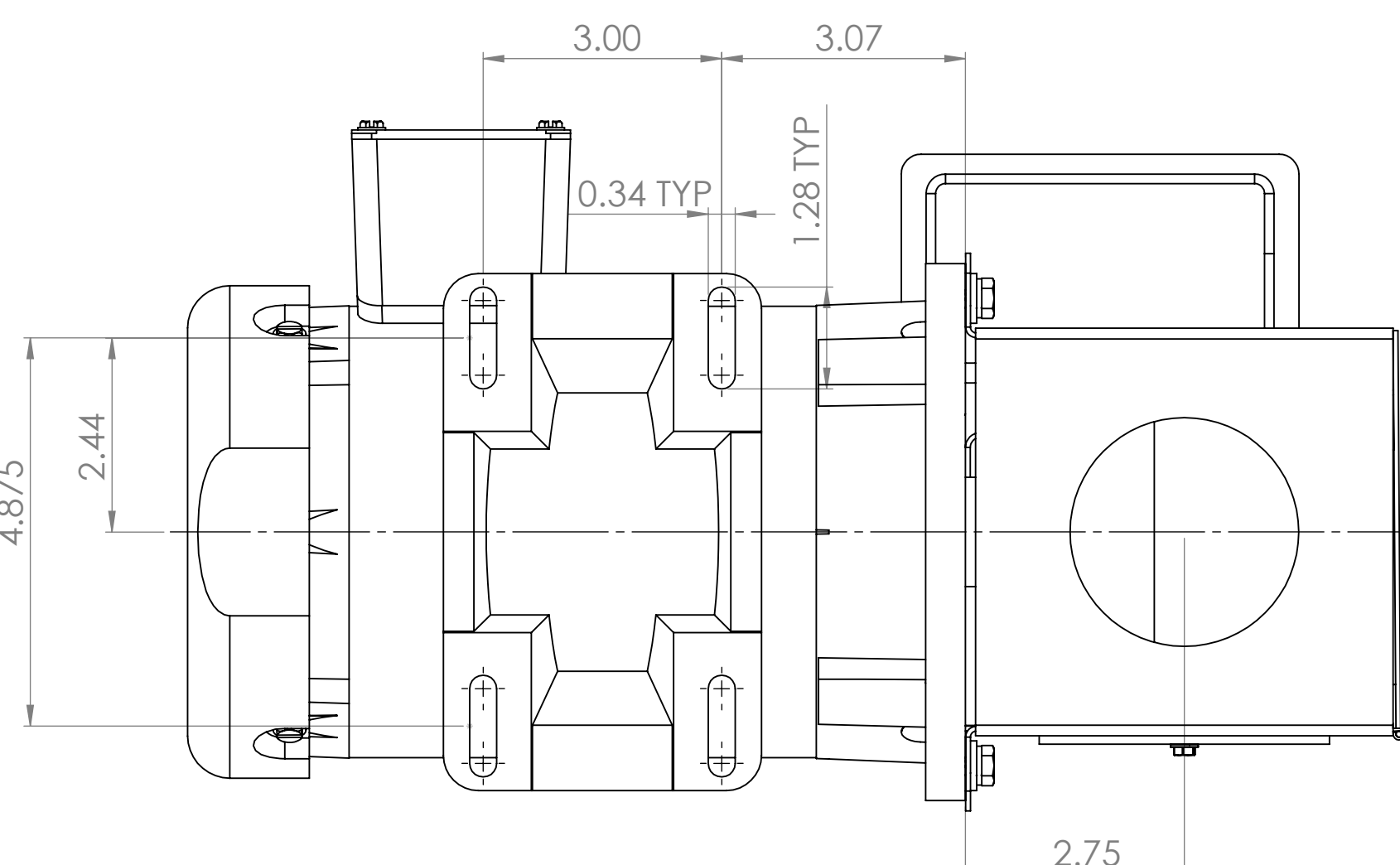
FRONT VIEW



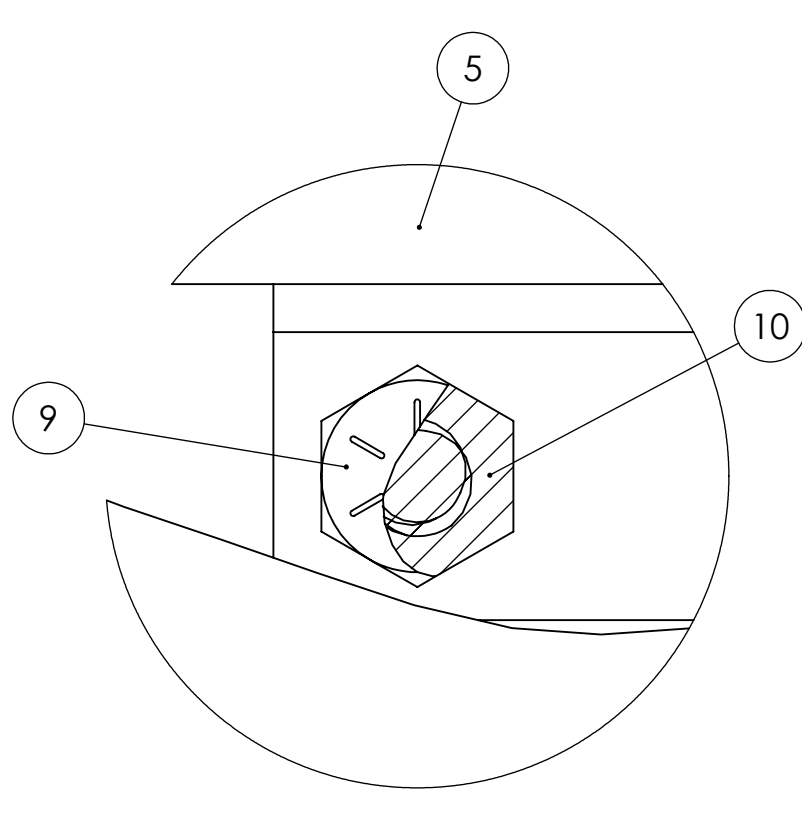
RIGHT SIDE VIEW



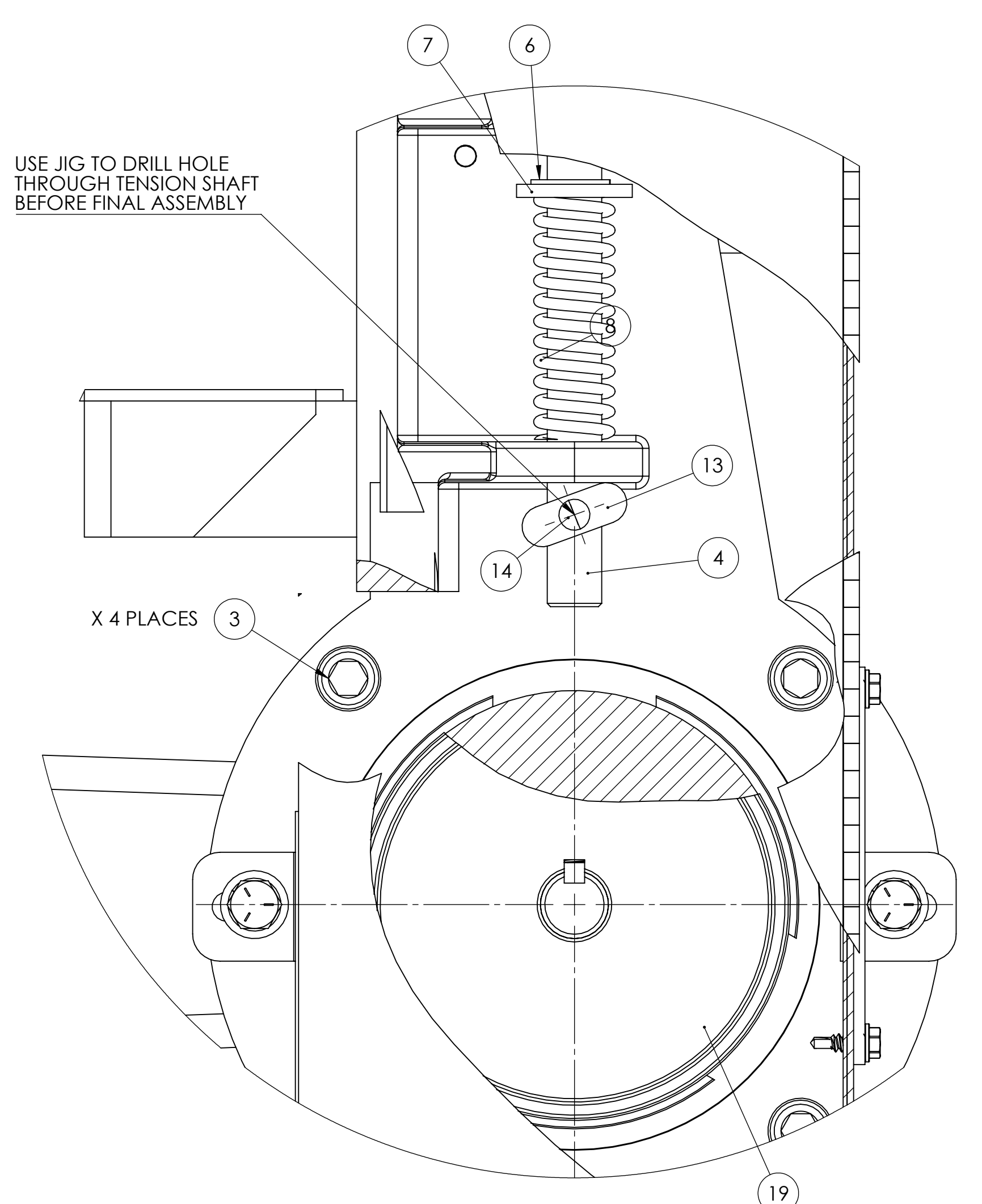
BACK VIEW



BOTTOM VIEW



DETAIL D  
SCALE 2:1  
TRACKING NUT AND BOLT



DETAIL B  
DETAIL OF MAIN ARM, TENSION SHAFT, SPRING, AND CAM

PROPRIETARY AND CONFIDENTIAL. THE INFORMATION CONTAINED IN THIS DRAWING IS THE SOLE PROPERTY OF KALAMAZOO. ANY REPRODUCTION IN PART OR AS A WHOLE WITHOUT THE WRITTEN PERMISSION OF KALAMAZOO IS PROHIBITED.

UNLESS OTHERWISE SPECIFIED:	UNLESS OTHERWISE SPECIFIED:	NAME	DATE
DIMENSIONS ARE IN INCHES	FRONT VIEW	DRAWN BY	
TOLERANCES:	ANGULAR DIMS	CHECKED	
FRACTIONS	BEND	ENG APPR	
THREE PLACE DECIMAL	IF NOT APPR		
INTERFERE GEOMETRIC TOLERANCES PER	D.A.		
AS PER	COMMENTS:		

TITLE: **S4S BELT SANDER ASSEMBLY**  
 SIZE: **E** DWG. NO.: **S4S BELT SANDER ASSEMBLY** REV  
 SCALE: 1:1 WEIGHT: SHEET 1 OF 1