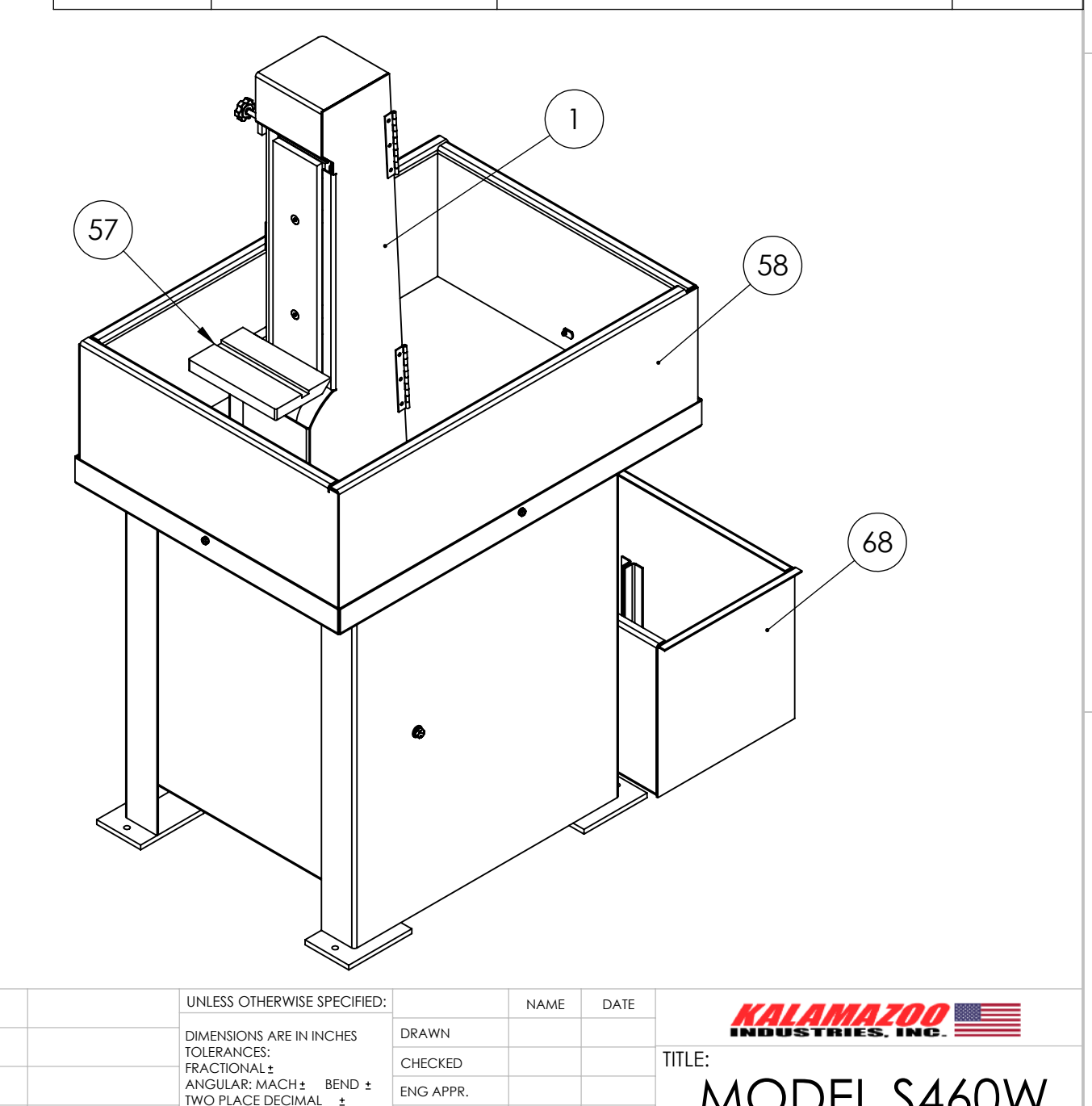


ITEM NO.	PART NUMBER	DESCRIPTION	QTY.
1	716-044	STAND AND MAIN FRAME ASSEMBLY FOR S460W	1
2	700-046	S6MW, S660MW MOTOR MOUNT PIVOT SHAFT	1
3	HHC5037020	3/8-16 X 1-1/4 HHCS GR5 Z	3
4	SLW2037	3/8 SPLIT L/W Z	3
5	UFW2037	3/8 USS F/W Z	3
6	690-014	RAIL, MOTOR MOUNT FOR S 460, S6, S8 SANDERS	2
7	123-016	S6 IDLER PULLEY LOCK COLLAR	2
8	SSKA025004	1/4-20 X 1/4 SOC SET KNURL PT.	2
9	19100700K4.25	4-1/4 INCHES OF 5/16-18 THREADED ROD	2
10	FHN5031	5/16-18 FHN GR5 ZINC	18
11	UFW2031	5/16 USS F/W Z	13
12	SLW2031	5/16 SPLIT L/W Z	20
13	486-007	3HP MOTOR FOR K8B, K10B, KM10, BG260H, S460W, S6M AND S612	1
14	HHC5031020	5/16-18 X 1-1/4 HHCS GR 5 Z	5
15	701-039	SPINDLE, DRIVE FOR S460W SANDER	1
16	386-024	HOUSING, BEARING FOR S460W	1
17	044-007	K10 BEARING	1
18	044-001	K12 BEARING	1
19	641-007	RETAINING RING 1" FOR S6, S460W, S612 DRIVE SPINDLE	1
20	641-016	RETAINING RING FOR S6, S460W, S612	1
21	560-043W	DRIVE PULLEY (CAST IRON) FOR S460W	1
22	SSKA025006	1/4-20 X 3/8 SOC SET KNURL PT.	1
23	HHC5031016	5/16-18 X 1 HHCS GR5 Z	12
24	BSCA025008	1/4-20 X 1/2 BSFCS	4
25	SLW2025	1/4 SPLIT L/W Z	15
26	291-018W	CAST IRON FRAME FOR S460W SANDERS	1
27	700-022W	TENSION SHAFT, IDLER YOK, FOR S460W SANDER	1
28	ROLA025024	1/4 X 1-1/2 ROLL PIN	1
29	697-024	S6 BELT TENSION SPRING	1
30	960-002	YOK FOR S4 SANDER	1
31	701-008	SPINDLE, IDLER FOR S4, S460 SANDERS	1
32	560-006	IDLER PULLEY S4 W BEARINGS FOR S45 AND S460	1
33	123-003	COLLAR FOR S4	1
34	EERR0.5	EERR1/2 1/2" E RETAINING RING	1
35	SSKA010004	10-24 X 1/4 SOC SET KNURL PT	2
36	455-003	TENSION RELEASE LEVER FOR S6 SANDER HEADS	1
37	HHT5031032	5/16-18x2 HEX HEAD TAP BOLT GR5 ZINC	1
38	BWVA031	5/16 BOWED SPRING WASHER	1
39	STNZ031	5/16-18 STOVER LOCK NUT ZINC-WAX	1
40	563-014	PLATEN FOR S460 SERIES	1
41	FSCA031016	5/16-18 X 1 FSHCS	2
42	CRMZ010024	10-24 X 1-1/2 COMBO ROUND M/S Z	1
43	697-011	TRACKING SPRING FOR S4	1
44	048-019	TRACKING BAR FOR S460	1
45	699-028	TRACKING BAR SPACER FOR S460 SANDERS	1
46	HHC5025016	1/4-20 X 1 HHCS GR5 Z	2
47	441-014	TRACKING KNOB ASSEMBLY	1
48	SPPA050020	1/2-13 X 1-1/4 SPRING PLUNGER W BROWN DELRIN NOSE ALLOY	1
49	FJNZ050	1/2-13 F H JAM NUT Z	1
50	049-020	MOTOR PULLEY BUSHING FOR S460W, S6MW & S612	1
51	560-052	MOTOR PULLEY SHEAVE FOR S6MW, S612 AND S460W	1
52	049-019	SPINDLE PULLEY BUSHING FOR S460W, S6MW, S612 & BG272	1
53	560-051	SPINDLE PULLEY SHEAVE FOR S6MW, S612 & S460W	1
54	051-003S460W	3V35S V-BELT FOR K10, KM10, S6MW & S460W	2
55	342-136	V-BELT GUARD FOR S460W SANDER	1
56	HHC5025008	1/4-20 X 1/2 HHCS GR5 Z	5
57	829-034	CAST IRON WORK TABLE FOR S272, S460, AND BG448	1
58	342-111	S460W SPLASH GUARD	1
59	HHC5025012	1/4-20 X 3/4 HHCS GR5 Z	4
60	389-004	COOLANT HOSE MOUNTING BRACKET ASSEMBLY W FLEXIBLE HOSE & FITTINGS	1
61	050CL40BLN	050CL40BLN 1/2 BLACK CLOSE NIPPLE	2
62	1020808C	102-0808C 1/2" MALE NTP TO 1/2" HOSE BRASS BARBED FITTING-STRAIGHT	1
63	912-030	JOM 100-703 BRONZE BALL VALVE FULL PORT-1/2	1
64	05015BL190I	05015BL190I 1/2 BLACK ELBOW 1/2" NPT THREADED CONNECTOR FOR 1/2" LINE-LOC HOSE	1
65	8450-27	1/2" LINE-LOC HOSE SEGMENT-12IN LONG	1
66	8450-22	2" GRAY FLARE NOZZLE FOR 1/2" LINE-LOC HOSE	1
67	8550-225	1/2" LINE-LOC HOSE SEGMENT-12IN LONG	1
68	716-011	COOLANT TANK ASSEMBLY FOR S460W, S6MW, S6MW, K12-14MS, K12-14W	1
69	041-114	1/4 TO 1/2 H.P. COOLANT PUMP MOUNTING BRACKET FOR WET SANDERS	1
70	577-002	1/4HP COOLANT PUMP AND MOTOR	1



UNLESS OTHERWISE SPECIFIED:	NAME	DATE
DIMENSIONS ARE IN INCHES	DESIGNED BY	
TOLERANCES:	CHECKED	
FRACTIONS: 1/16, 1/8, 1/4, 3/8, 1/2	ENG APPR	
DECIMALS: THREE PLACE DECIMAL	MG APPR	
ANGLES: NEAREST 5 MINUTES	DRAWN	
INTERFERE GEOMETRIC TOLERANCES PER ASME Y14.5	CHECKED	
PROPRIETARY AND CONFIDENTIAL	DATE	
THIS DRAWING IS THE PROPERTY OF KALAMAZOR. IT IS TO BE USED ONLY FOR THE PROJECT AND QUANTITY SPECIFIED. IT IS NOT TO BE REPRODUCED OR COPIED IN ANY MANNER WITHOUT THE WRITTEN PERMISSION OF KALAMAZOR.	SCALE	
NEED KEY	USED ON	FINISH
APPLICATION	DO NOT SCALE DRAWING	

KALAMAZOR
MODEL S460W WET SANDER
 SIZE DWG. NO. **S460W** REV
 SCALE: 1:5 WEIGHT: SHEET 1 OF 1