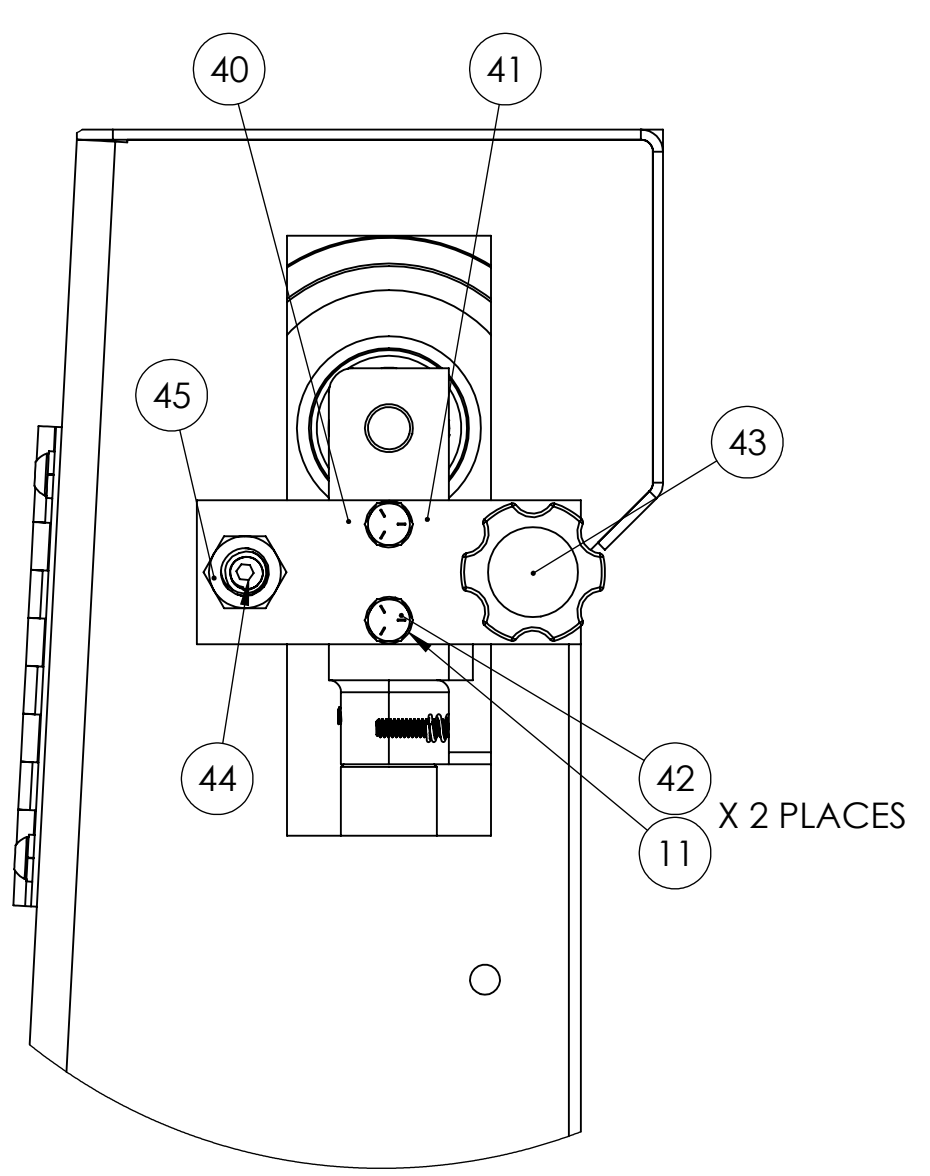
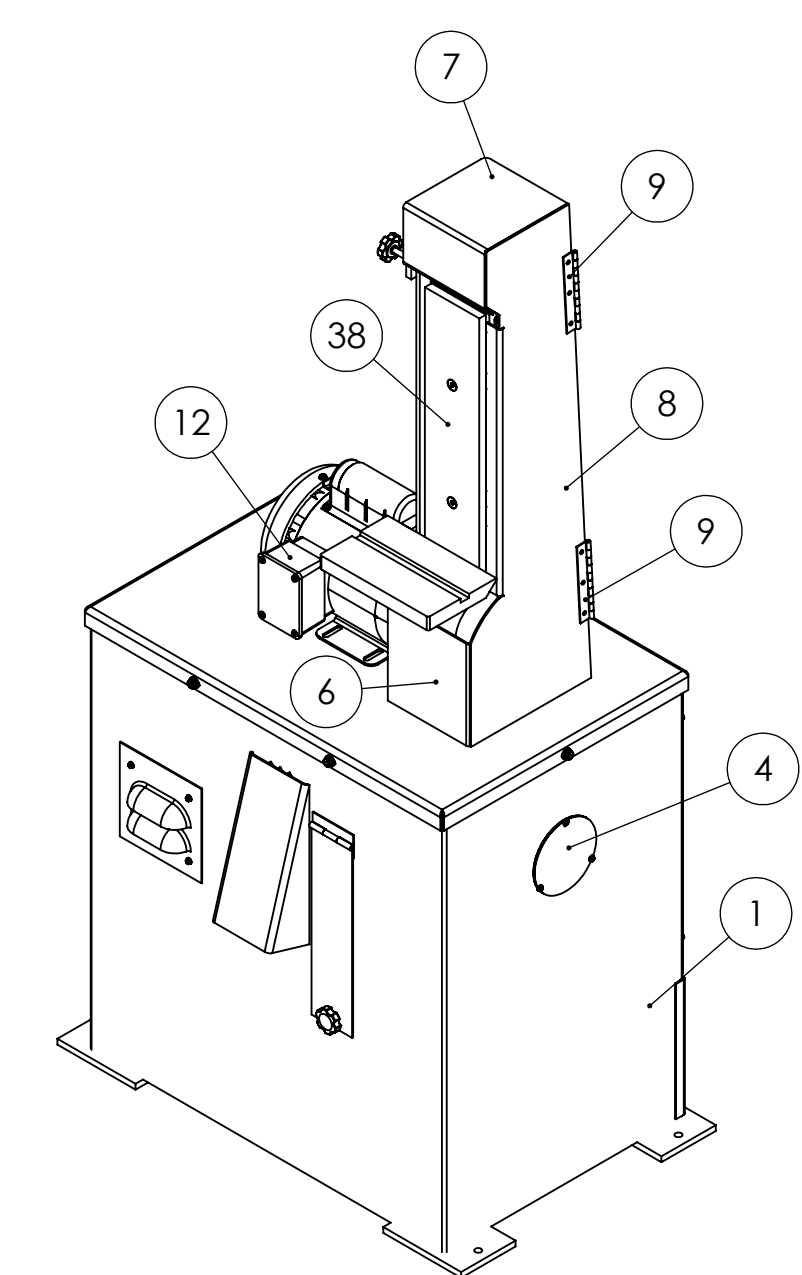
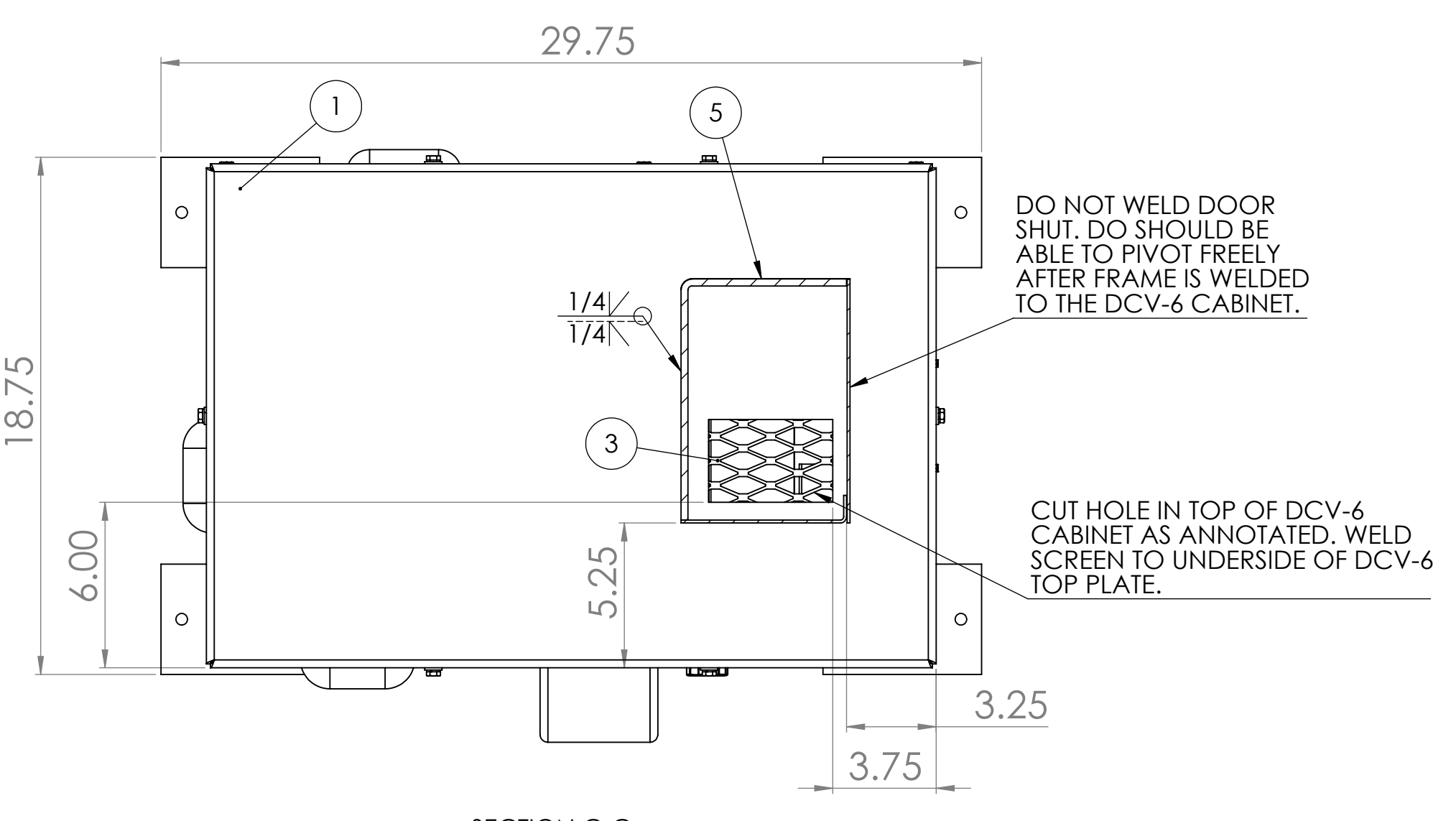


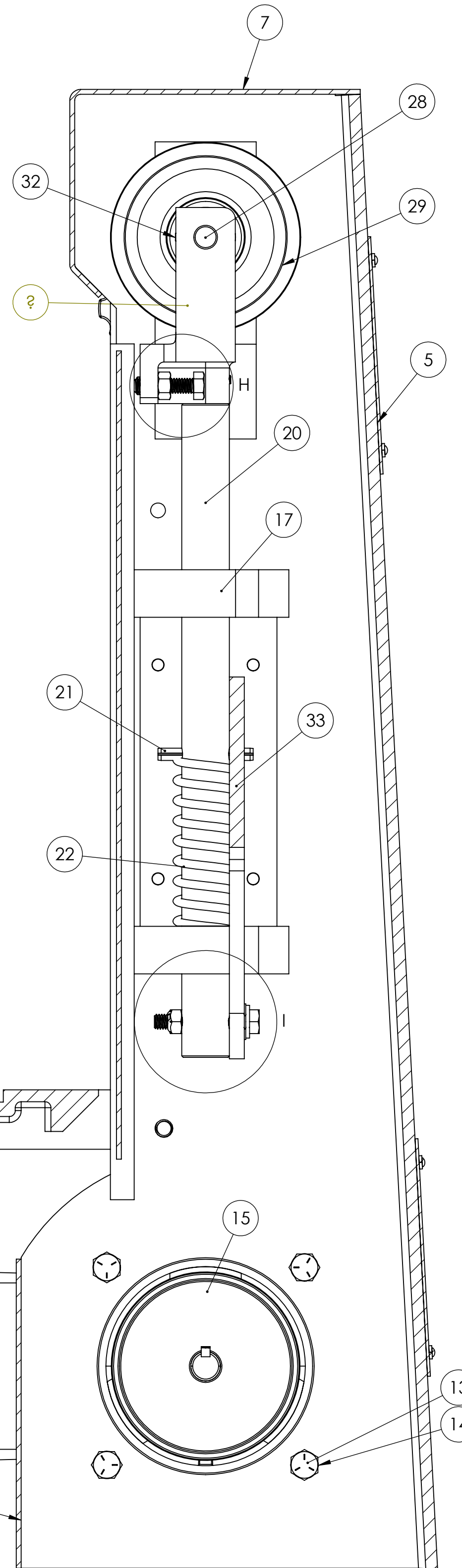
ITEM NO.	PART NUMBER	DESCRIPTION	QTY.
1	DCV-6	DCV-6 DUST COLLECTOR	1
2	S460V-BAFFLEPLATE	BAFFLE PLATE FOR DCV-6 CABINET/S460V APPLICATION	1
3	S460V-SCREEN	SCREEN FOR DCV-6 CABINET/S460V APPLICATION	1
4	342-069C	BLANK COVER FOR S6M SANDER OSHA GUARD	1
5	291-028BURNOUT	MAIN FRAME BURNOUT FOR S460 SANDER	1
6	291-028-A	FRONT GUARD FOR S460D SANDER	1
7	342-077	TOP BELT GUARD FOR S460D SANDER	1
8	291-028DOOR	FRAME DOOR FOR S460D, S460V, S460W SANDERS	1
9	291-028HINGE	HINGE FOR S460 DOOR	2
10	BSCA025008	1/4-20 X 1/2 BSCHCS	4
11	SLW2025	1/4 SPLIT L/W Z	6
12	486-002	1 HP MOTOR FOR 2FSM-1HP, 2FS72M-1HP, S272, S45-1HP, S45WB, S460D, BG272, DCV-6, DCV-8	1
13	HHC5037020	3/8-16 X 1-1/4 HHCS GR5 Z	5
14	SLW2037	3/8 SPLIT L/W Z	5
15	560-005	PULLEY, DRIVE (ALUMINUM) FOR S4, S4S, S460D	1
16	SSKA025006	1/4-20 X 3/8 SOC SET KNURL PT.	1
17	291-018	CAST IRON FRAME FOR S460 DRY SANDERS	1
18	HHC5031016	5/16-18 X 1 HHCS GR5 Z	4
19	SLW2031	5/16 SPLIT L/W Z	4
20	700-022	TENSION SHAFT, IDLER YOKE, FOR S460 SANDER	1
21	ROLA025024	1/4 X 1-1/2 ROLL PIN	1
22	697-024	S6 BELT TENSION SPRING	1
23	960-002	YOKE FOR S4 SANDER	1
24	HHC5031020	5/16-18 X 1-1/4 HHCS GR5 Z	1
25	FHN5031	5/16-18 FHN GR5 ZINC	2
26	697-011	TRACKING SPRING FOR S4	1
27	CRMZ010024	10-24 X 1-1/2 COMBO ROUND M/S Z	1
28	701-008	SPINDLE, IDLER FOR S4, S460 SANDERS	1
29	560-006	IDLER PULLEY S4 W BEARINGS FOR S4S AND S460	1
30	123-003	COLLAR FOR S4	1
31	EERR0.5	EERR 1/2 1/2" E RETAINING RING	1
32	SSKA010004	10-24 X 1/4 SOC SET KNURL PT	2
33	455-003	TENSION RELEASE LEVER FOR S6 SANDER HEADS	1
34	HHT5031032	5/16-18X2 HEX HEAD TAP BOLT GR5 ZINC	1
35	UFWZ031	5/16 USS F/W Z	1
36	BWWA031	5/16 BOWED SPRING WASHER 21/64	1
37	STNZ031	5/16-18 STOVER LOCK NUT ZINC-WAX	1
38	563-014	PLATEN FOR S460 SERIES	1
39	FSCA031016	5/16-18 X 1 FSHCS	2
40	048-019	TRACKING BAR FOR S460	1
41	699-028	TRACKING BAR SPACER FOR S460 SANDERS	1
42	HHC5025016	1/4-20 X 1 HHCS GR5 Z	2
43	441-014	TRACKING KNOB ASSEMBLY	1
44	SPPA050020	1/2-13 X 1-1/4 SPRING PLUNGER W BROWN DELRIN NOSE ALLOY	1
45	FJNZ050	1/2-13 F.H JAM NUT Z	1
46	829-034	CAST IRON WORK TABLE FOR S272, S460, AND BG448	1
47	UFWZ037	3/8 USS F/W Z	1



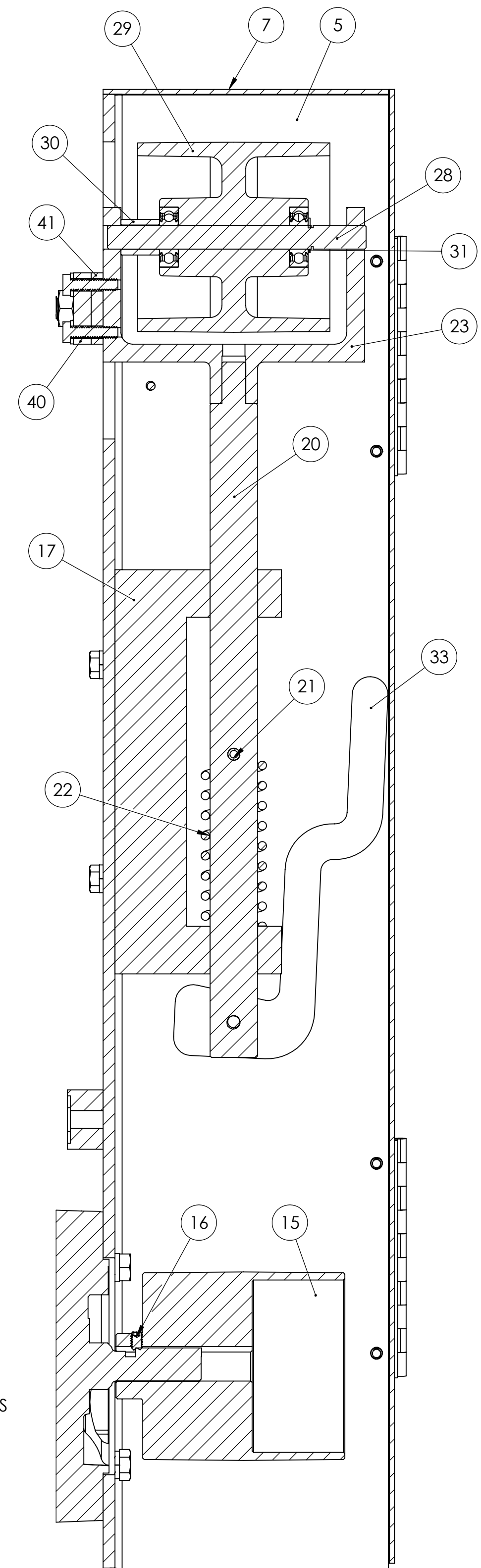
DETAIL F  
SCALE 1 : 2  
BELT TRACKING DETAILS



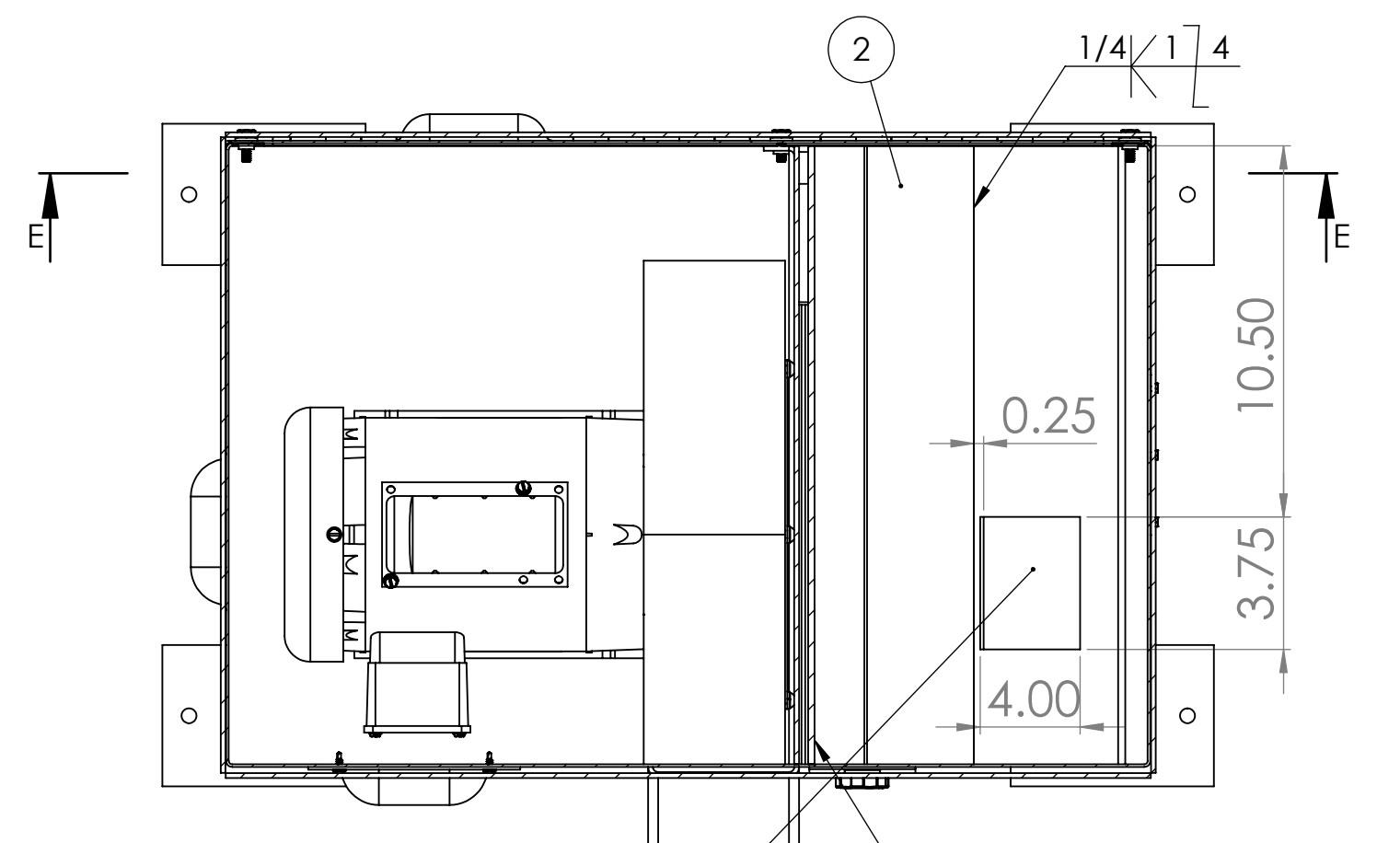
SECTION C-C  
DCV-6 TOP PLATE MODIFICATION AND FRAME LOCATION.



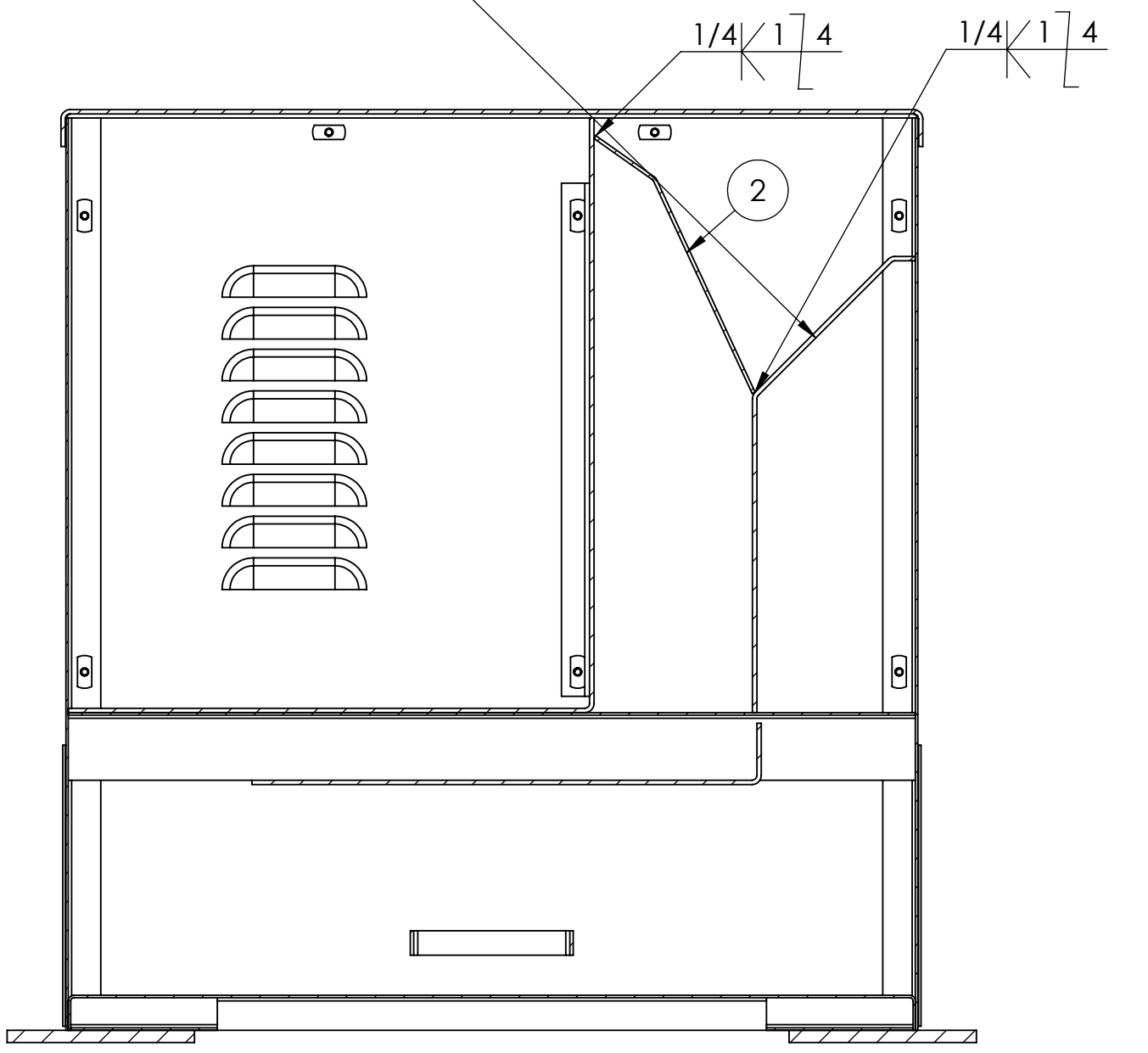
SECTION A-A  
INTERNAL RIGHT SIDE VIEW  
SCALE 1 : 2



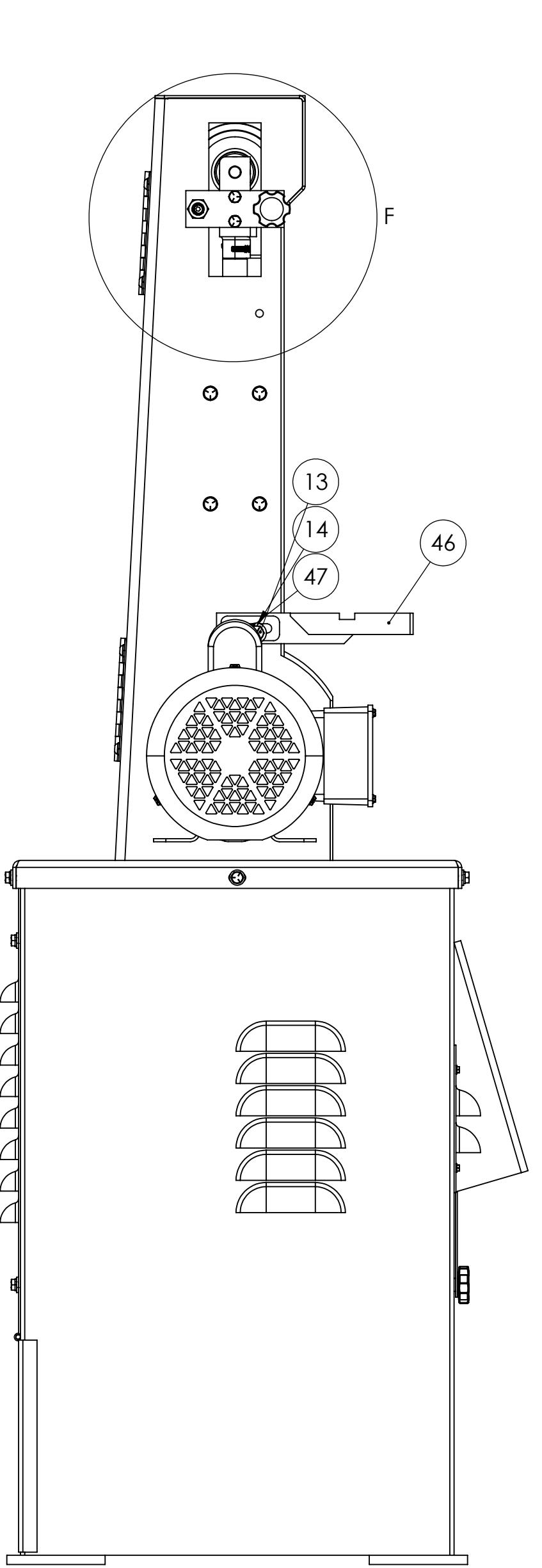
SECTION B-B  
INTERNAL FRONT VIEW  
SCALE 1 : 2



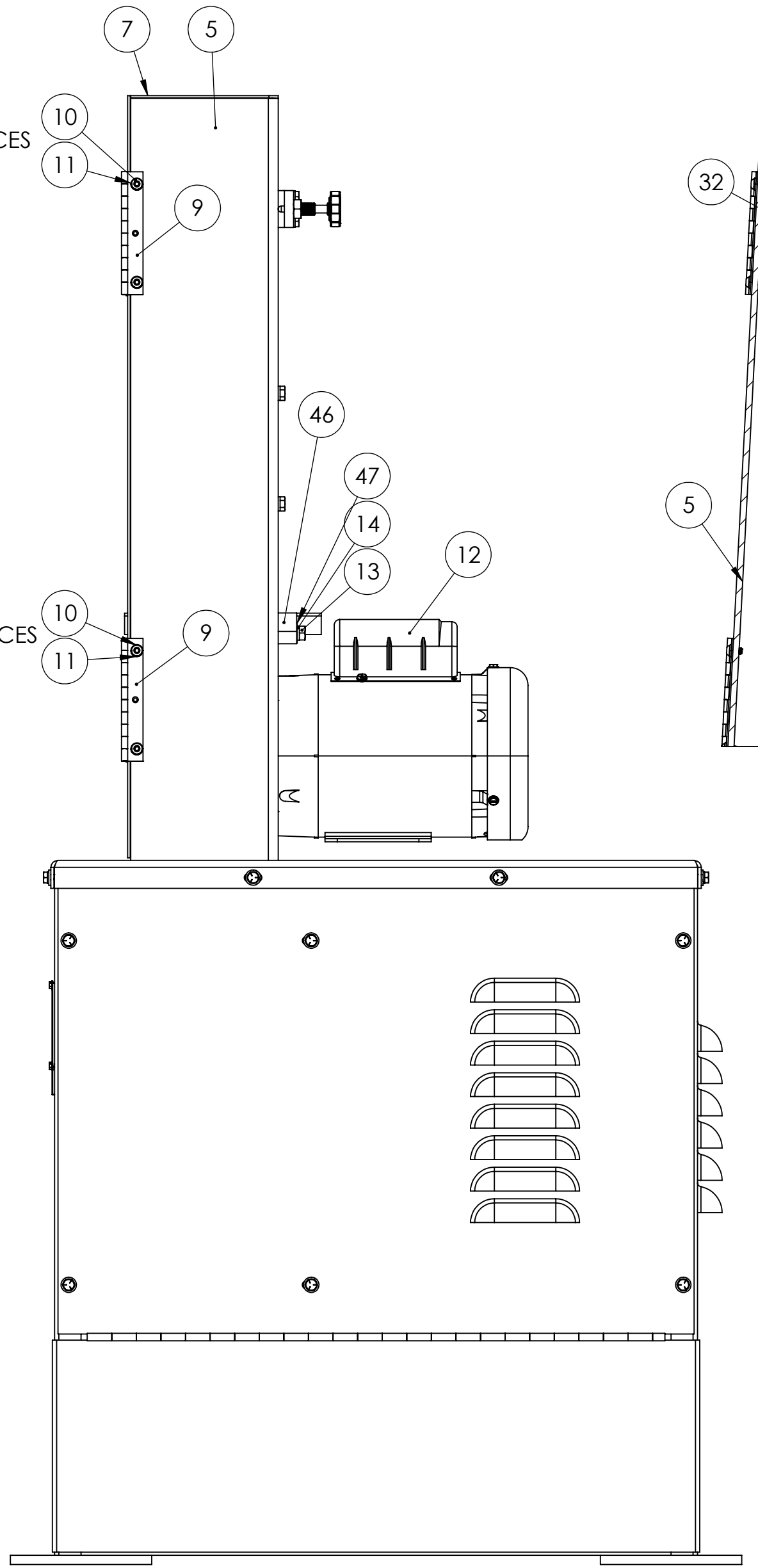
CUT A HOLE THROUGH THE BAFFLE PLATE AS ANNOTATED. WELD #2, S460V BAFFLEPLATE IN PLACE AS SHOWN.



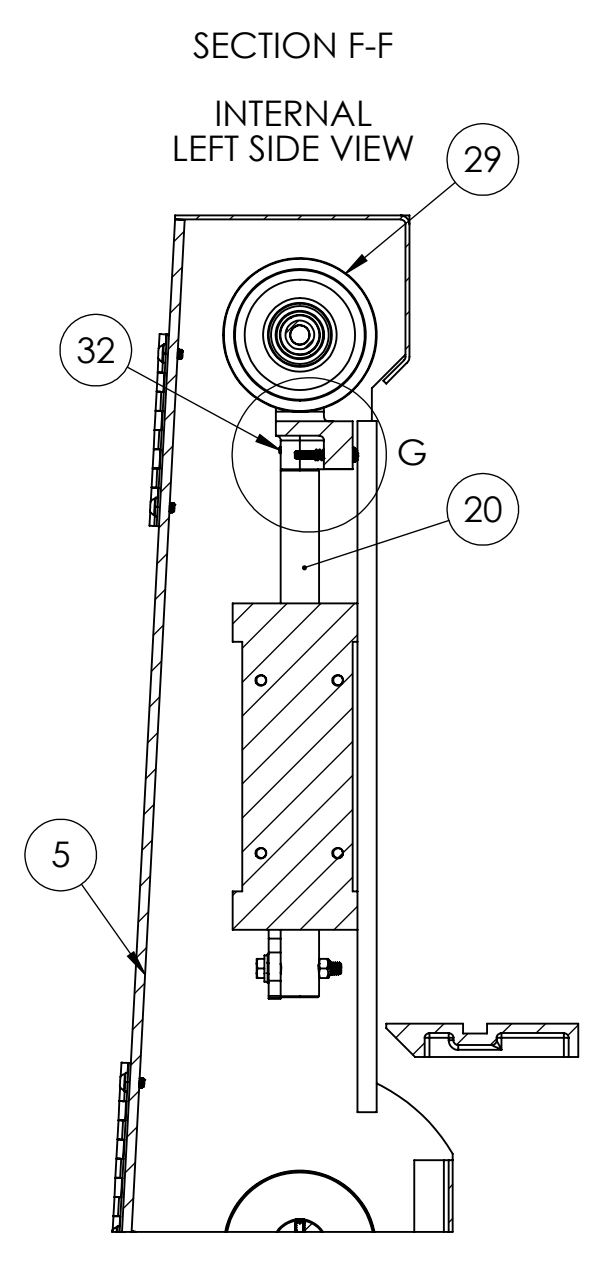
SECTION E-E  
FRONT VIEW OF DCV-6 MODIFICATION AND INSTALLATION OF BAFFLE PLATE



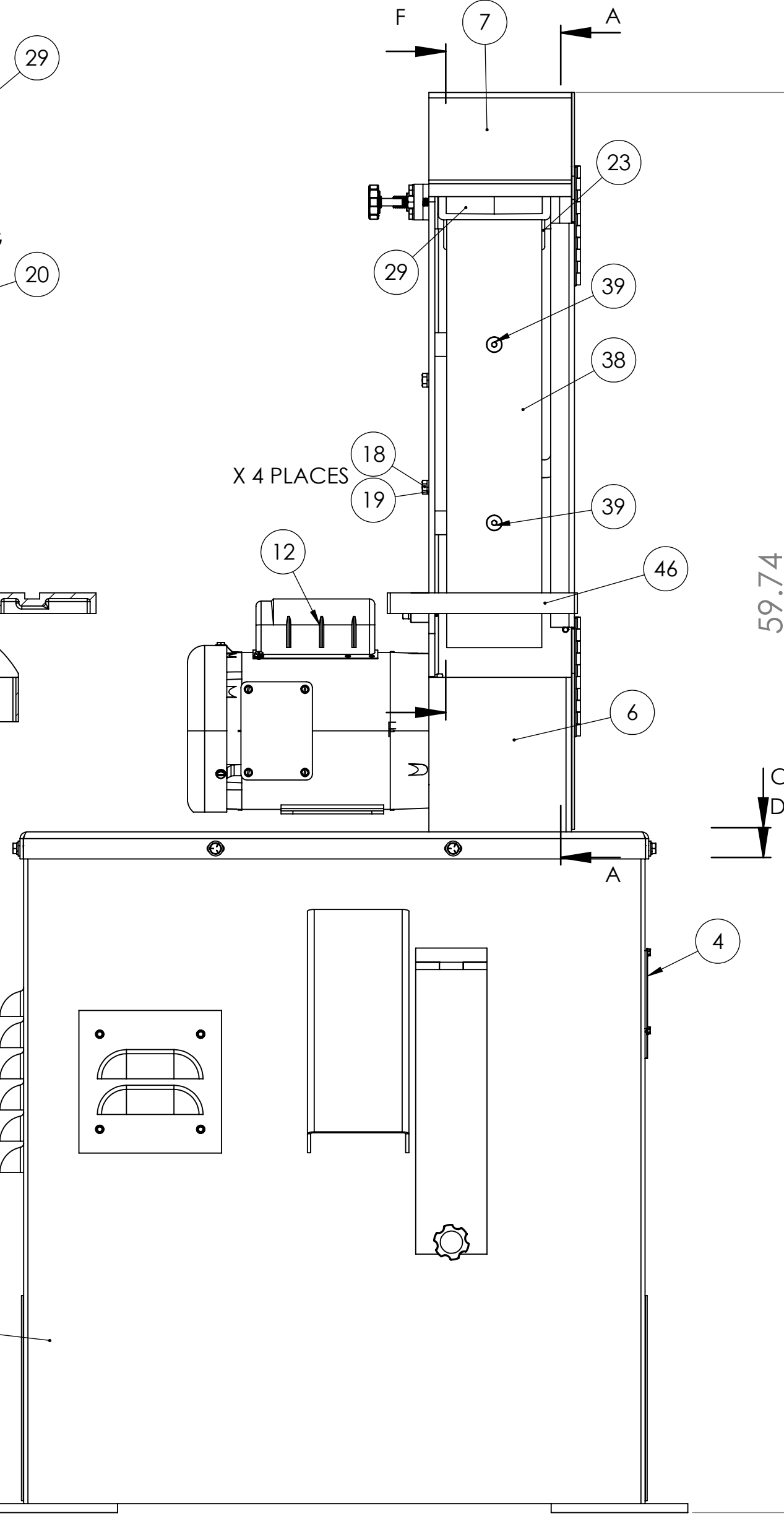
BACK VIEW



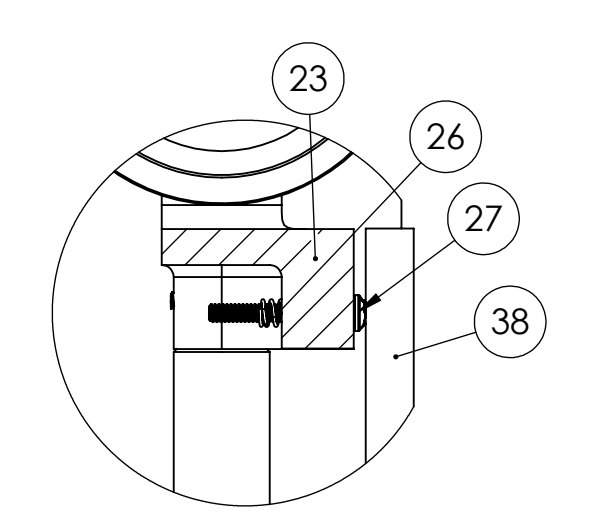
FRONT VIEW



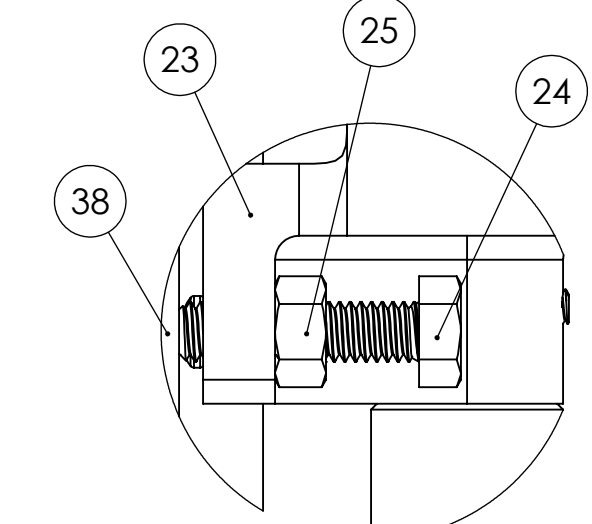
SECTION F-F  
INTERNAL LEFT SIDE VIEW



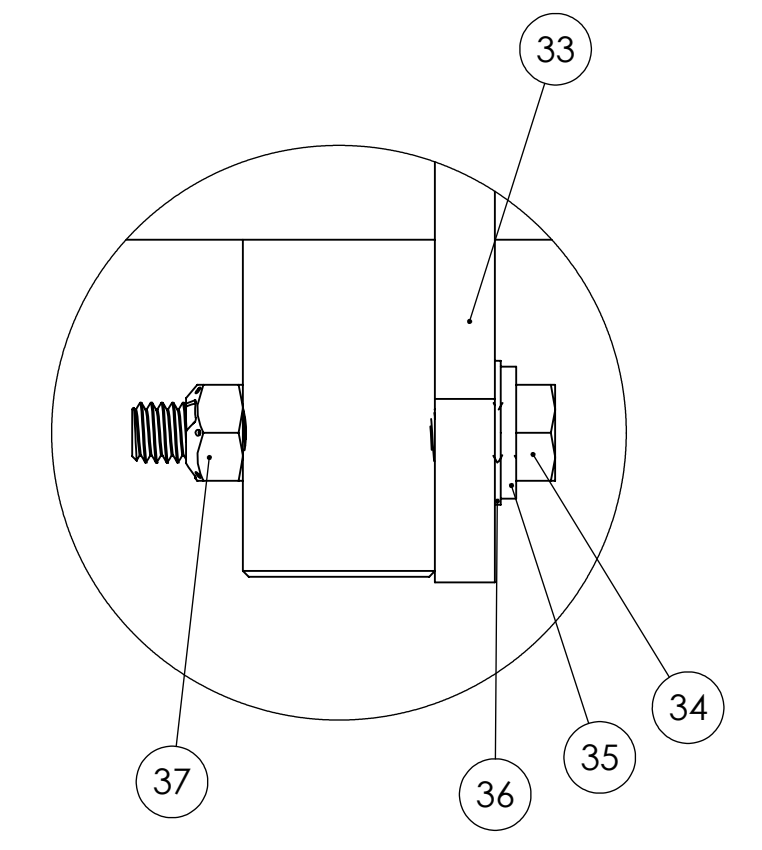
FRONT VIEW



DETAIL G



DETAIL H



DETAIL I  
SCALE 1 : 1  
BELT TENSION LEVER FASTENERS

CONSULT DCV-6 DRAWING FOR ADDITION DCV-6 DETAILS.  
CLEAN UP AND GRIND ALL EXTERIOR WELDS  
PAINT DCV-6/ FRAME WELDMENT BEFORE FINAL ASSEMBLY.

UNLESS OTHERWISE SPECIFIED:  
DIMENSIONS ARE IN INCHES  
TOLERANCES:  
FRACTIONS ± .005  
DECIMALS ± .005  
THREE PLACE DECIMAL ± .005  
DIA.  
INTERFERENCE GEOMETRIC TOLERANCES PER  
ASME Y14.5-2009

DATE: \_\_\_\_\_  
DRAWN BY: \_\_\_\_\_  
CHECKED BY: \_\_\_\_\_  
ENG APPR: \_\_\_\_\_  
MFG APPR: \_\_\_\_\_  
COMMENTS:

KALAMAZOO  
S460 WITH DCV-6 VACUUM  
SIZE: DWG. NO. S460V  
SCALE: 1:5 WEIGHT: \_\_\_\_\_ SHEET 1 OF 1

PROPRIETARY AND CONFIDENTIAL  
THIS DRAWING IS THE PROPERTY OF KALAMAZOO TOOL & DIE COMPANY. IT IS TO BE USED ONLY FOR THE PURPOSES SPECIFIED HEREIN. NO PART OF THIS DRAWING IS TO BE REPRODUCED OR TRANSMITTED IN ANY FORM OR BY ANY MEANS, ELECTRONIC OR MECHANICAL, INCLUDING PHOTOCOPYING, RECORDING, OR BY ANY INFORMATION STORAGE AND RETRIEVAL SYSTEM, WITHOUT THE WRITTEN PERMISSION OF KALAMAZOO TOOL & DIE COMPANY.

NEED ASSIST USED ON FINISH  
APPLICATION

DO NOT SCALE DRAWING