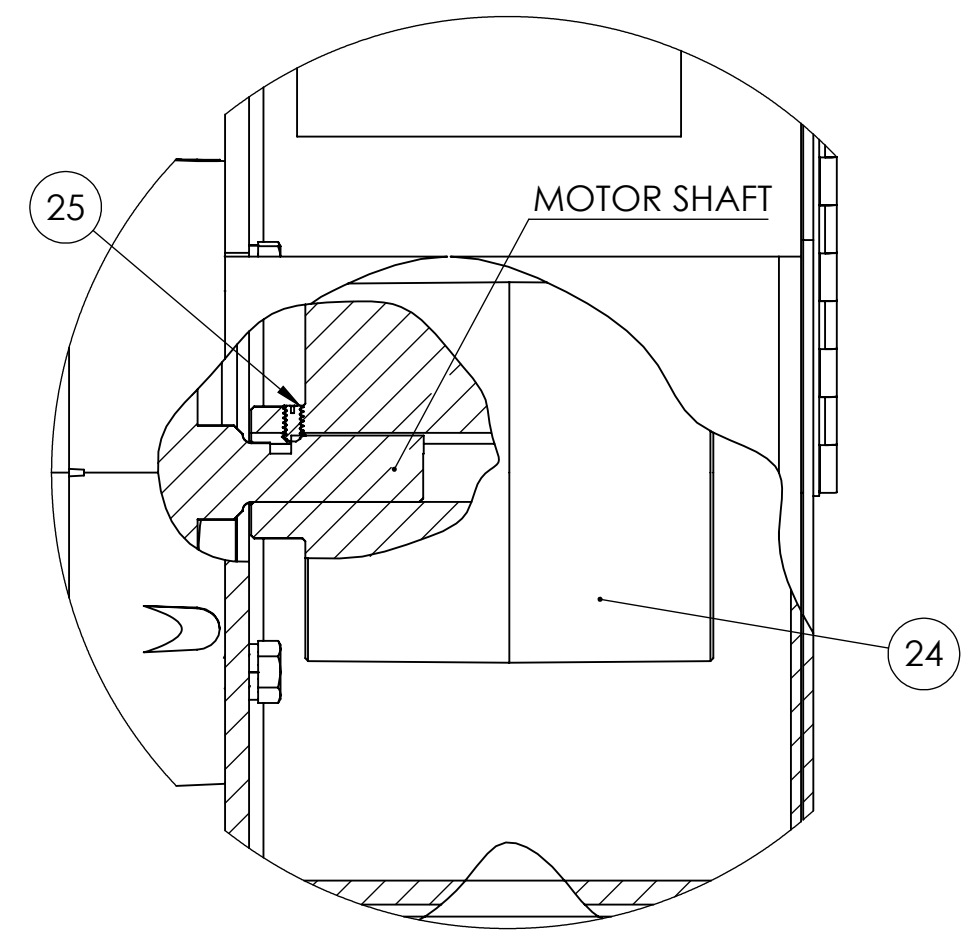
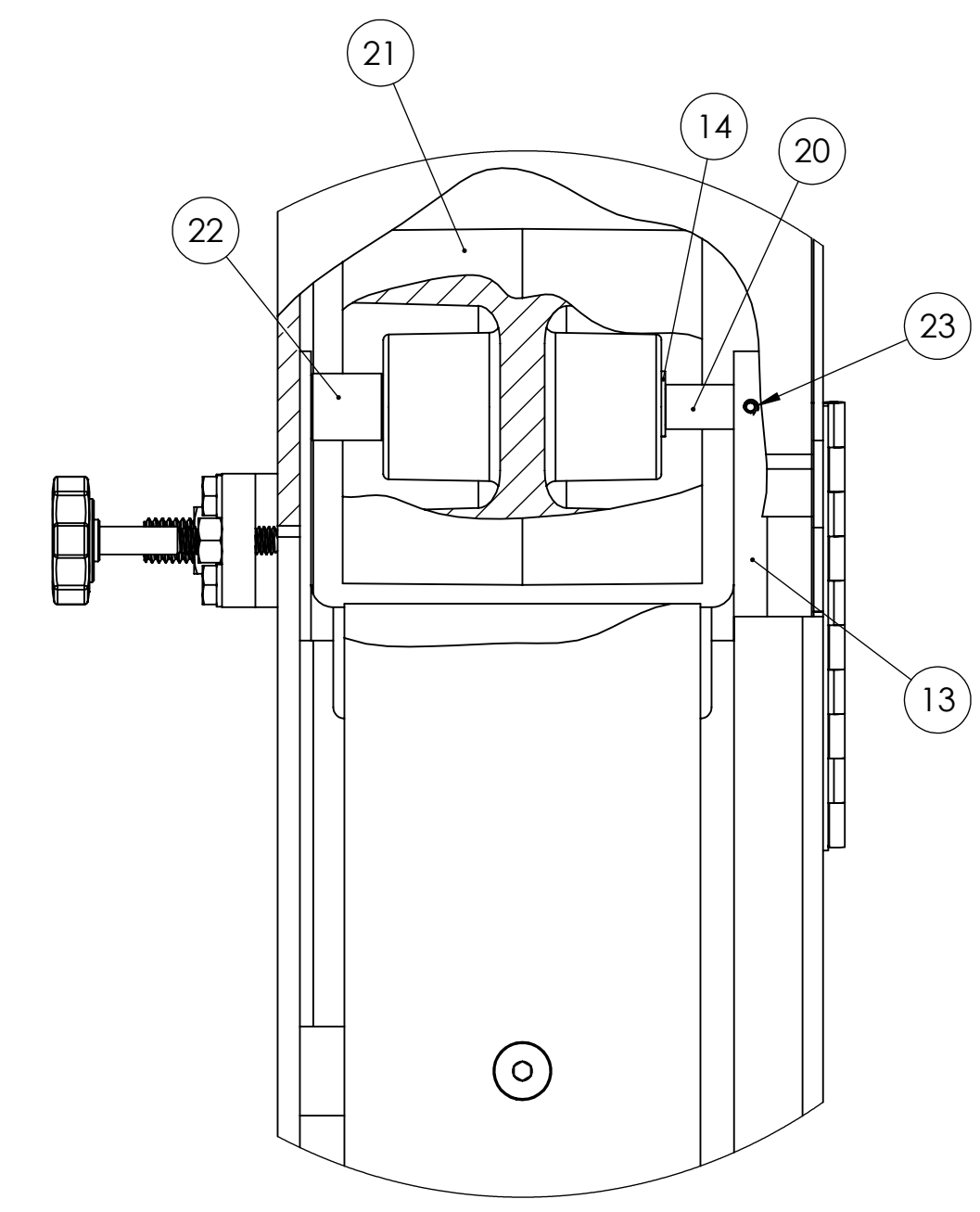


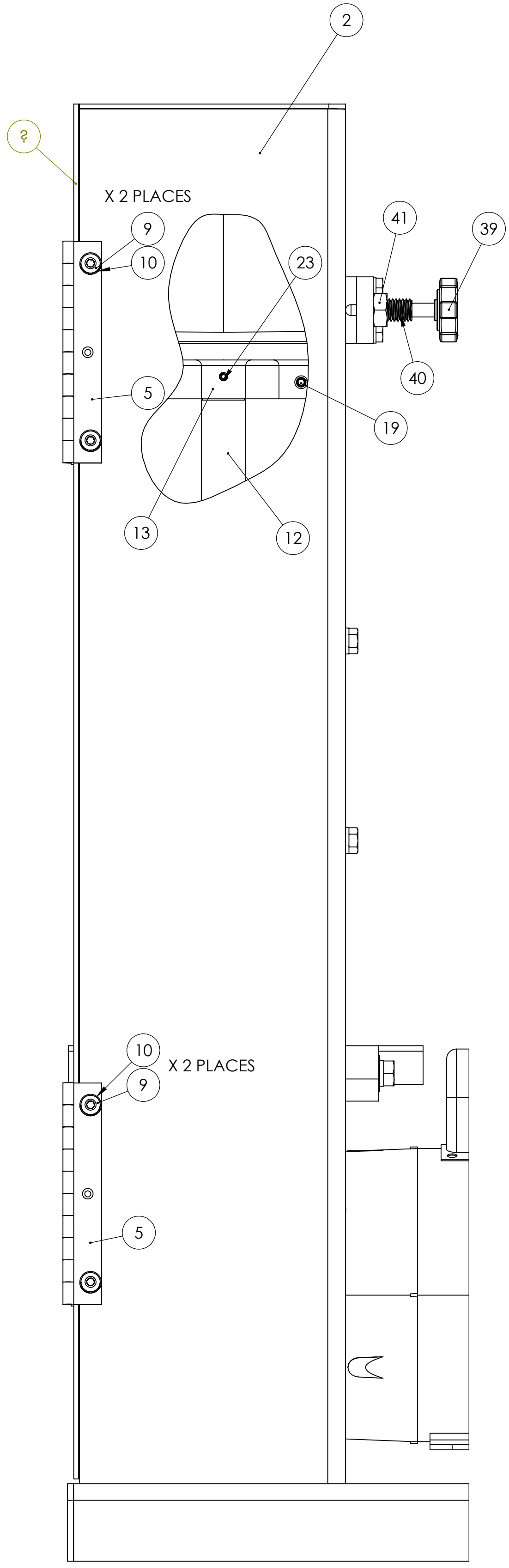
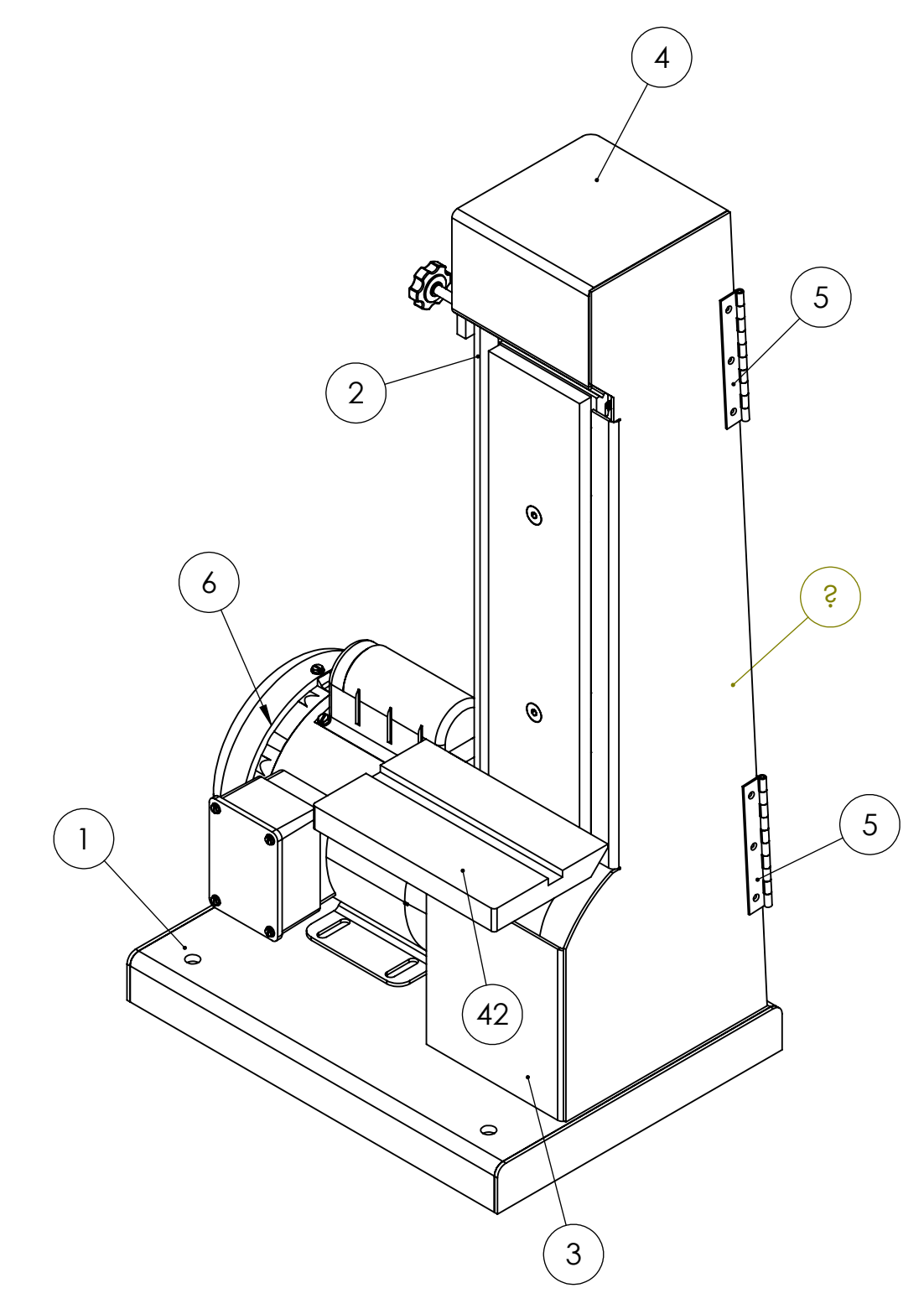
DETAIL A
SCALE 1:2



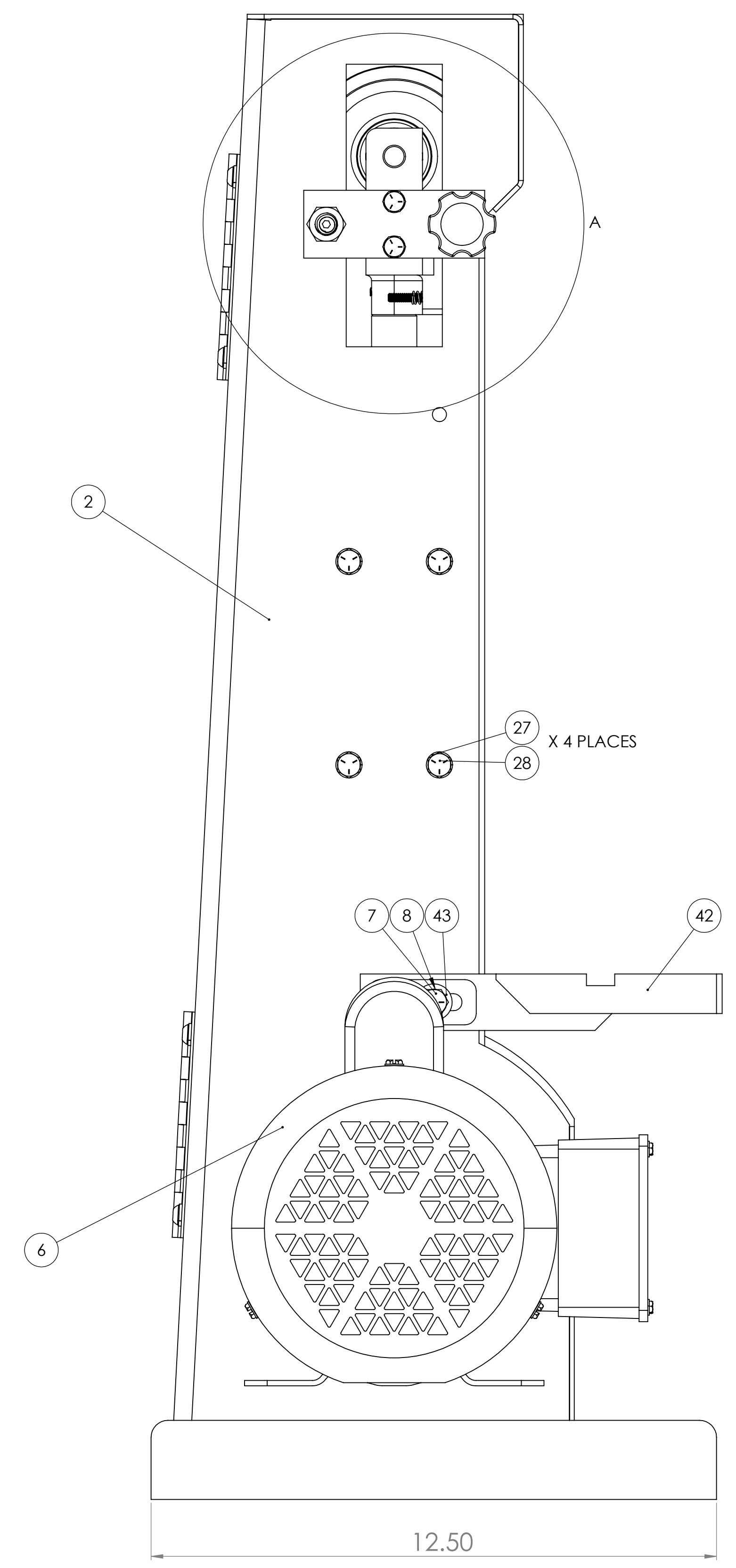
DETAIL B
SCALE 1:2



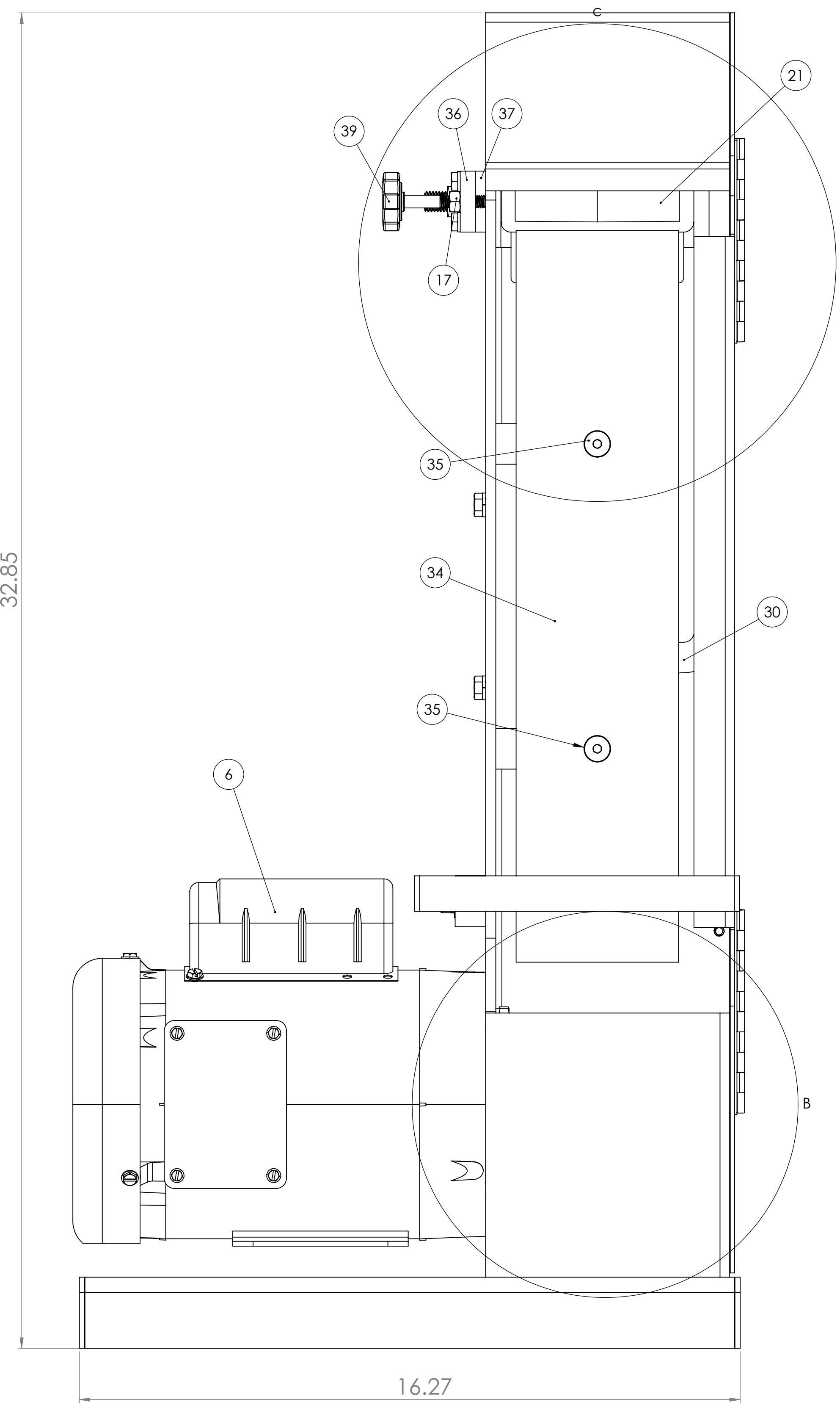
DETAIL C
SCALE 1:2



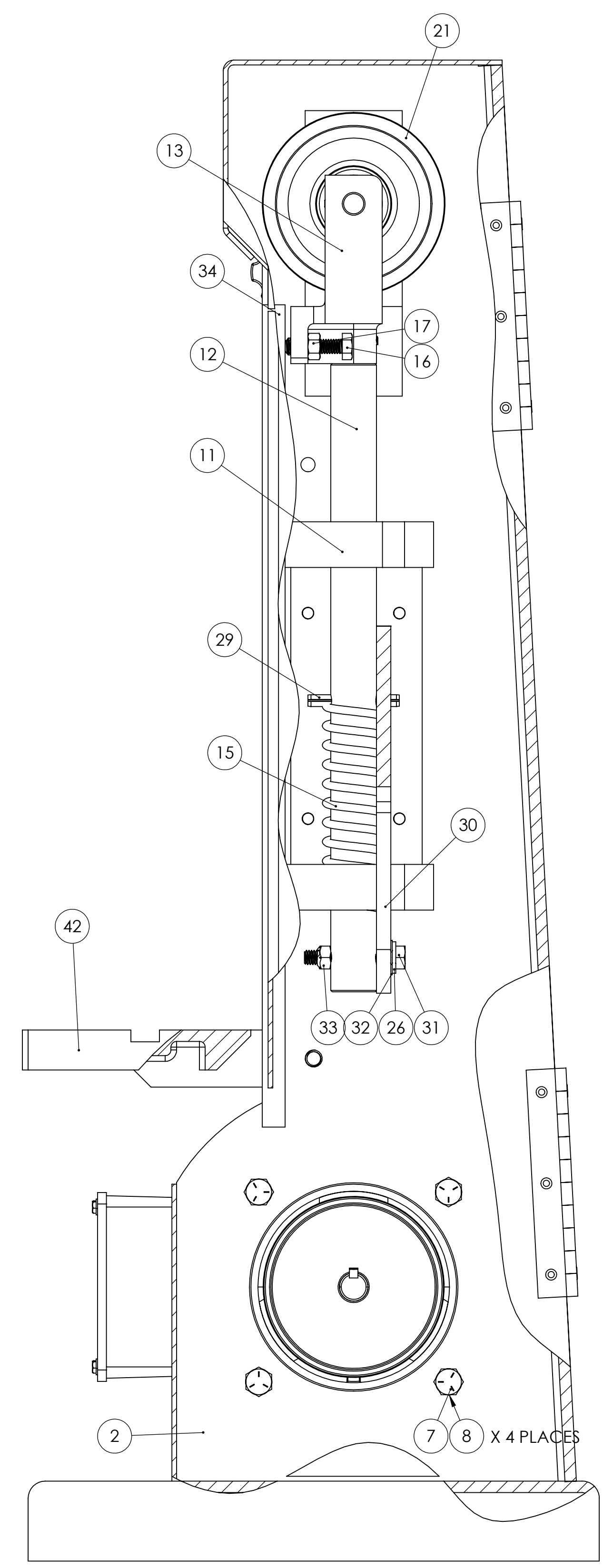
CROPPED BACK VIEW
ATTACHMENT OF DOOR
TO FRAME



LEFT SIDE VIEW



FRONT VIEW



RIGHT SIDE / INTERNAL
VIEW

ITEM NO.	PART NUMBER	DESCRIPTION	QTY.
1	050-037	BASE, FRAME FOR S460 SERIES	1
2	291-028BURNOUT	MAIN FRAME BURNOUT FOR S460 SANDER	1
3	291-028-A	FRONT GUARD FOR S460D SANDER	1
4	342-077	TOP BELT GUARD FOR S460D SANDER	1
5	291-028HINGE	HINGE FOR S460 DOOR	2
6	486-002	1 HP MOTOR FOR 2FSM-1HP, 2FS72M-1HP, S272, S4S-1HP, S4SWB, S460D, BG272, DCV-6, DCV-8	1
7	HHC5037020	3/8-16 X 1-1/4 HHCS GR5 Z	5
8	SLWZ037	3/8 SPLIT L/W Z	5
9	BSCA025008	1/4-20 X 1/2 BSHCS	4
10	SLWZ025	1/4 SPLIT L/W Z	6
11	291-018	CAST IRON FRAME FOR S460 DRY SANDERS	1
12	700-022	TENSION SHAFT, IDLER YOKE, FOR S460 SANDER	1
13	960-002	YOKE FOR S4 SANDER	1
14	EERR0.5	EERR 1/2 1/2" E RETAINING RING	1
15	697-024	S6 BELT TENSION SPRING	1
16	HHC5031020	5/16-18 X 1-1/4 HHCS GR 5 Z	1
17	FHN5031	5/16-18 FHN GR5 ZINC	2
18	697-011	TRACKING SPRING FOR S4	1
19	CRMZ010024	10-24 X 1-1/2 COMBO ROUND M/S Z	1
20	701-008	SPINDLE, IDLER FOR S4, S460 SANDERS	1
21	560-006	IDLER PULLEY S4 W BEARINGS FOR S4S AND S460	1
22	123-003	COLLAR FOR S4	1
23	SSKA010004	10-24 X 1/4 SOC SET KNURL PT	2
24	560-005	PULLEY, DRIVE (ALUMINUM) FOR S4, S4S, S460D	1
25	SSKA025006	1/4-20 X 3/8 SOC SET KNURL PT.	1
26	UFWZ031	5/16 USS F/W Z	1
27	SLWZ031	5/16 SPLIT L/W Z	4
28	HHC5031016	5/16-18 X 1 HHCS GR5 Z	4
29	ROLA025024	1/4 X 1-1/2 ROLL PIN	1
30	455-003	TENSION RELEASE LEVER FOR S6 SANDER HEADS	1
31	HHT5031032	5/16-18x2 HEX HEAD TAP BOLT GR5 ZINC	1
32	BWWA031	5/16 BOWED SPRING WASHER 21/64	1
33	STNZ031	5/16-18 STOVER LOCK NUT ZINC-WAX	1
34	563-014	PLATEN FOR S460 SERIES	1
35	FSCA031016	5/16-18 X 1 FSHCS	2
36	048-019	TRACKING BAR FOR S460	1
37	699-028	TRACKING BAR SPACER FOR S460 SANDERS	1
38	HHC5025016	1/4-20 X 1 HHCS GR5 Z	2
39	441-014	TRACKING KNOB ASSEMBLY	1
40	SPPA050020	1/2-13 X 1-1/4 SPRING PLUNGER W BROWN DELRIN NOSE ALLOY	1
41	FJNZ050	1/2-13 F H JAM NUT Z	1
42	829-034	CAST IRON WORK TABLE FOR S272, S460, AND BG448	1
43	UFWZ037	3/8 USS F/W Z	1
44	291-028DOOR	FRAME DOOR FOR S460D, S460V, S460W SANDERS	1

PROPRIETARY AND CONFIDENTIAL
THIS INFORMATION CONTAINED IN THIS DRAWING IS THE SOLE PROPERTY OF KALAMAZOO. IT IS TO BE USED FOR THE MANUFACTURE OF THE PARTS IDENTIFIED HEREIN. REPRODUCTION IN WHOLE OR IN PART OR BY ANY MEANS WITHOUT THE WRITTEN PERMISSION OF KALAMAZOO IS PROHIBITED.

UNLESS OTHERWISE SPECIFIED: DIMENSIONS ARE IN INCHES TOLERANCES: FRACTIONS ± .005 DECIMALS ± .001 THREE PLACE DECIMAL ± .0005	DRAWN BY: _____ CHECKED BY: _____ ENG APPR: _____ MFG APPR: _____	NAME: _____ DATE: _____	
INTERFERENCE GEOMETRIC TOLERANCES PER: _____ MATERIAL: _____	COMMENTS: _____	TITLE: S460D ASSEMBLY SIZE: DWG. NO. E S460D SCALE: 1:5 WEIGHT: _____ SHEET 1 OF 1	