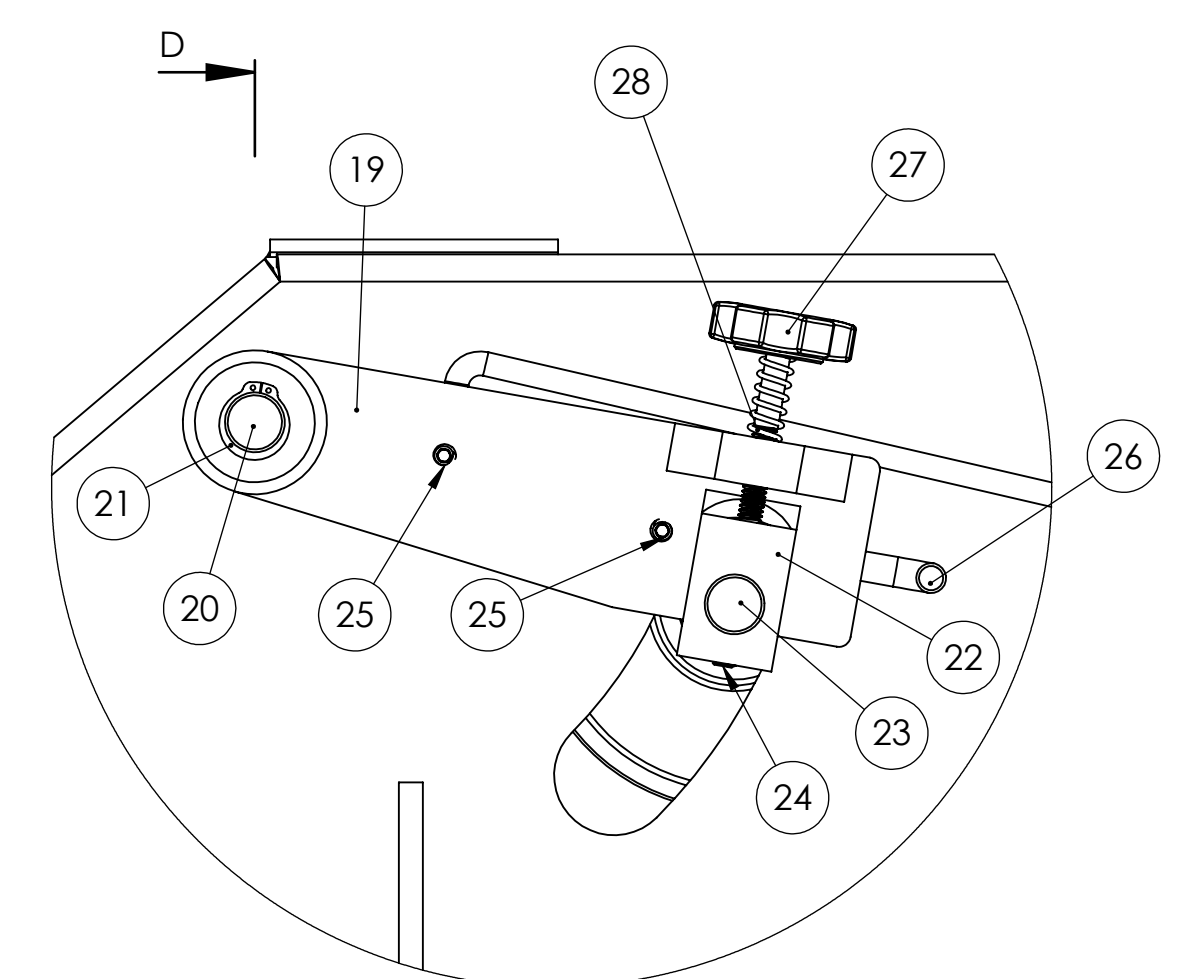
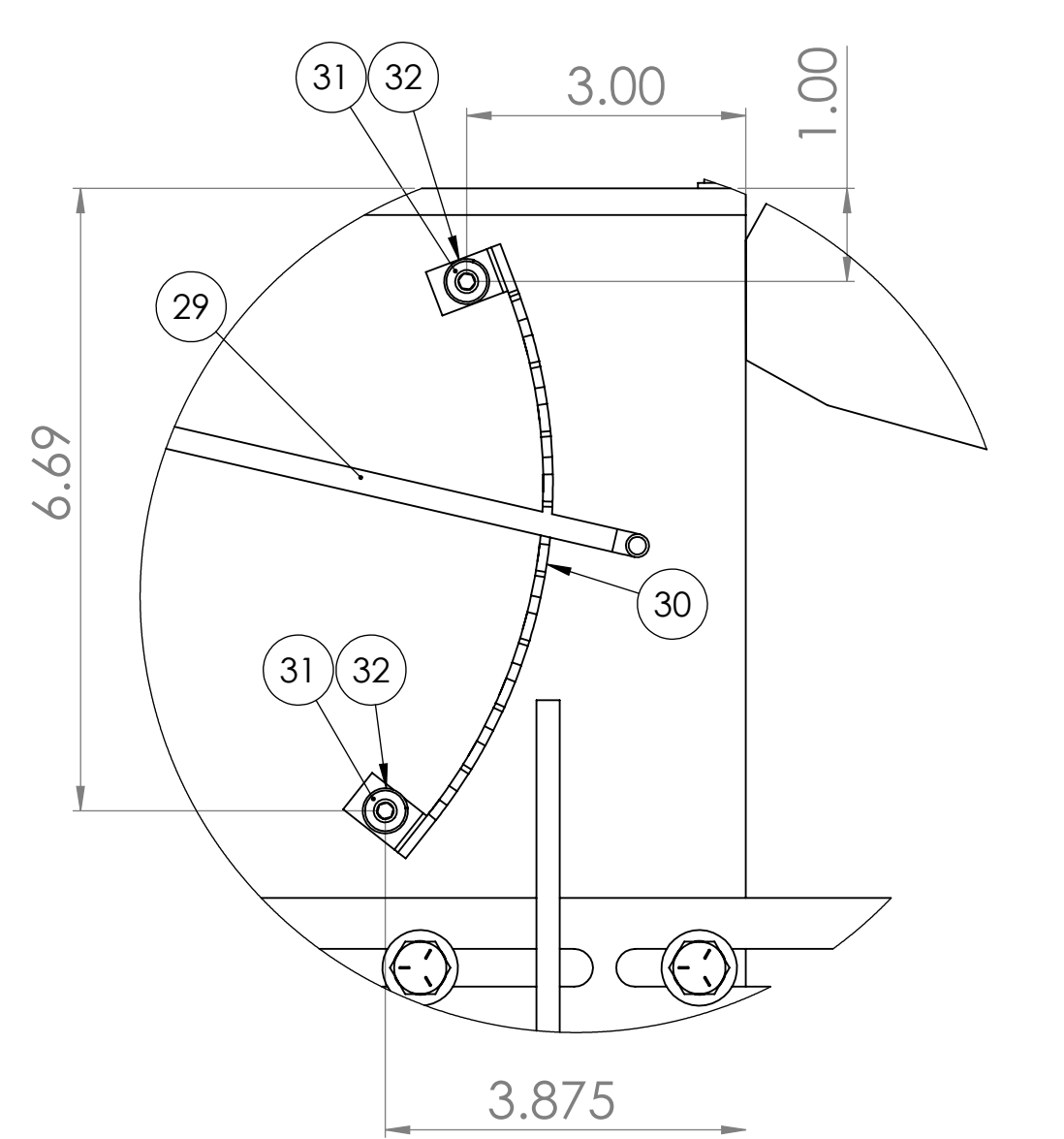


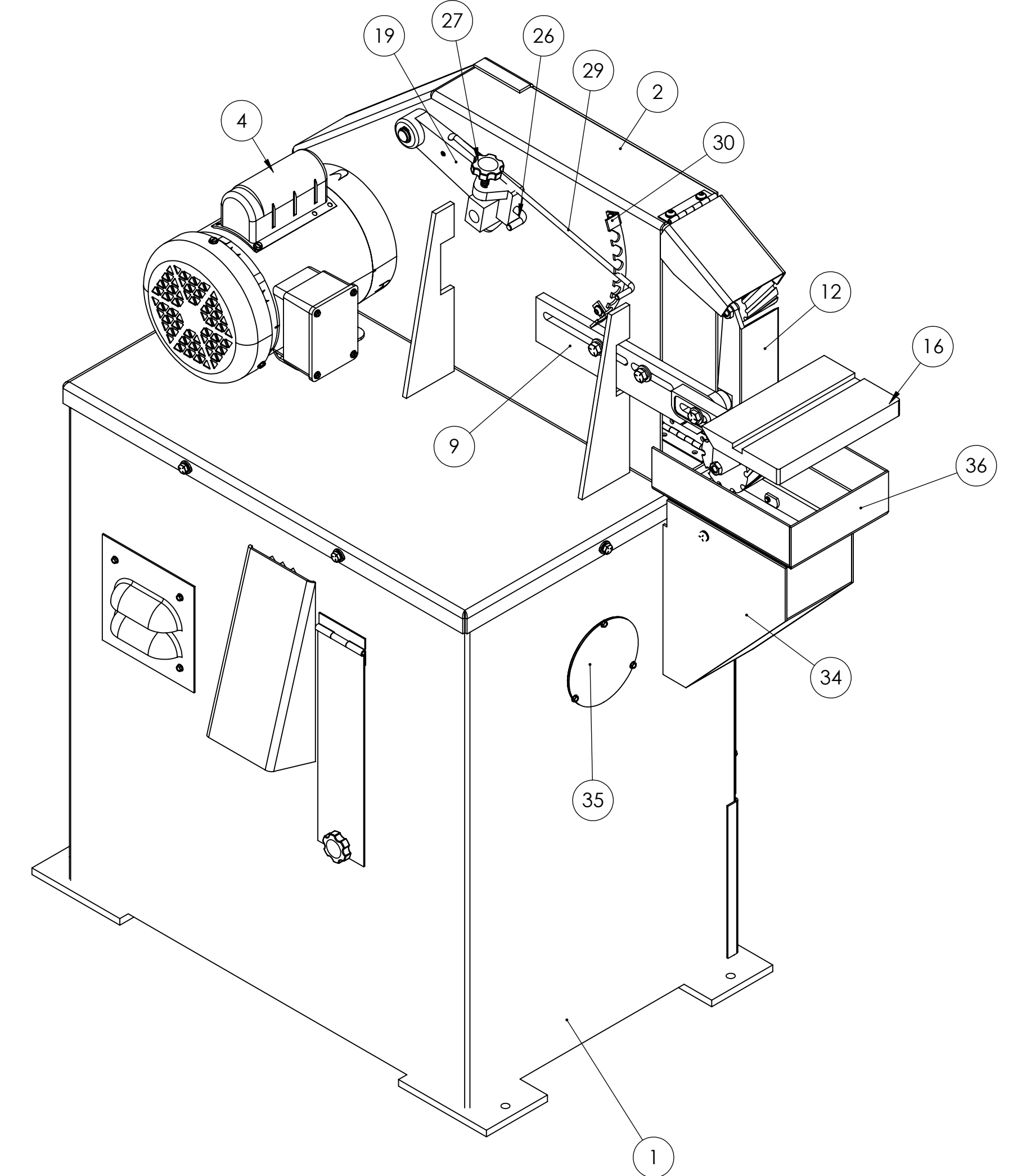
SECTION D-D
SCALE 1:2
TRACKING ARM
PIVOT SHAFT DETAILS



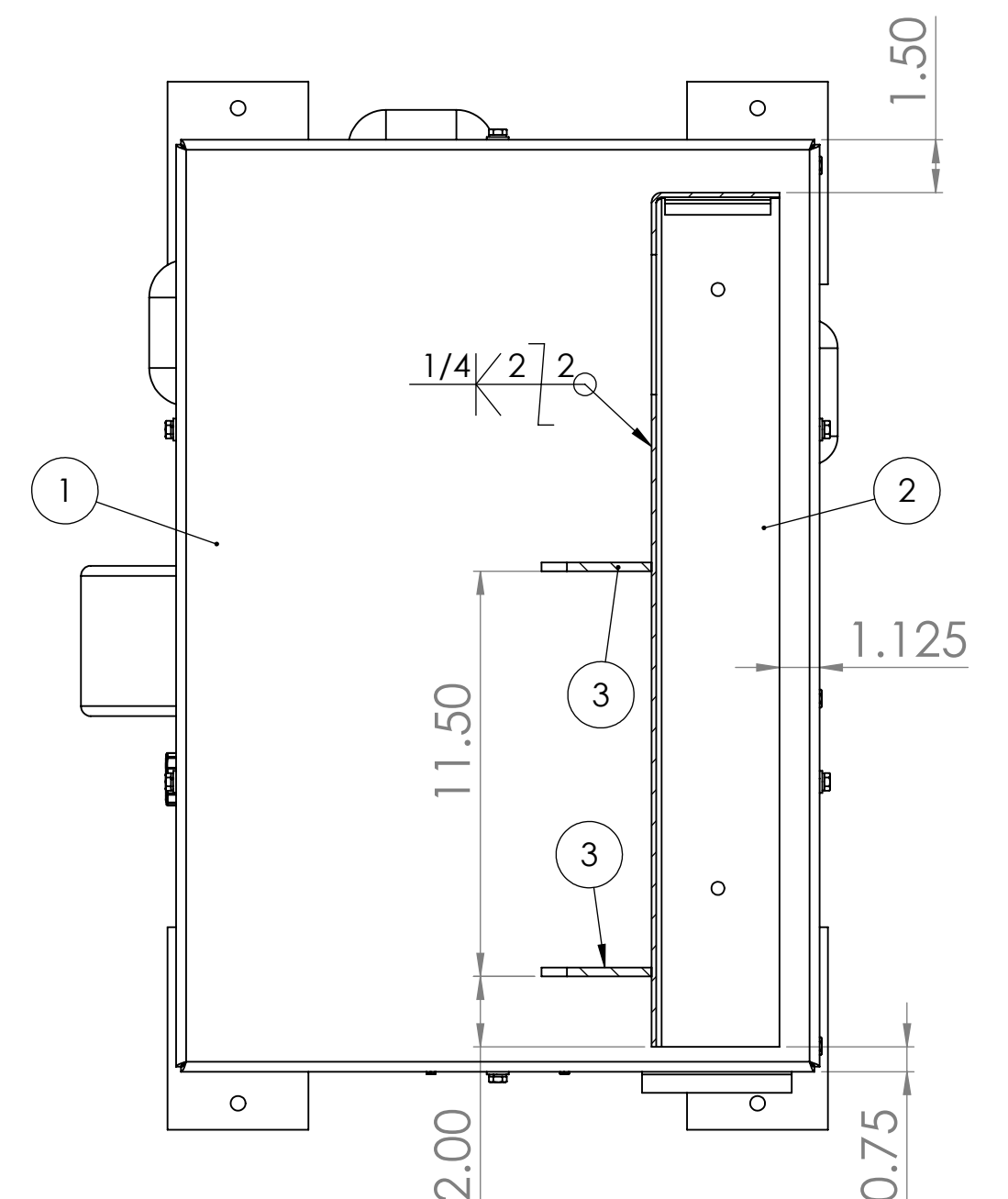
DETAIL B
SCALE 1:2
TENSION ARM DETAILS



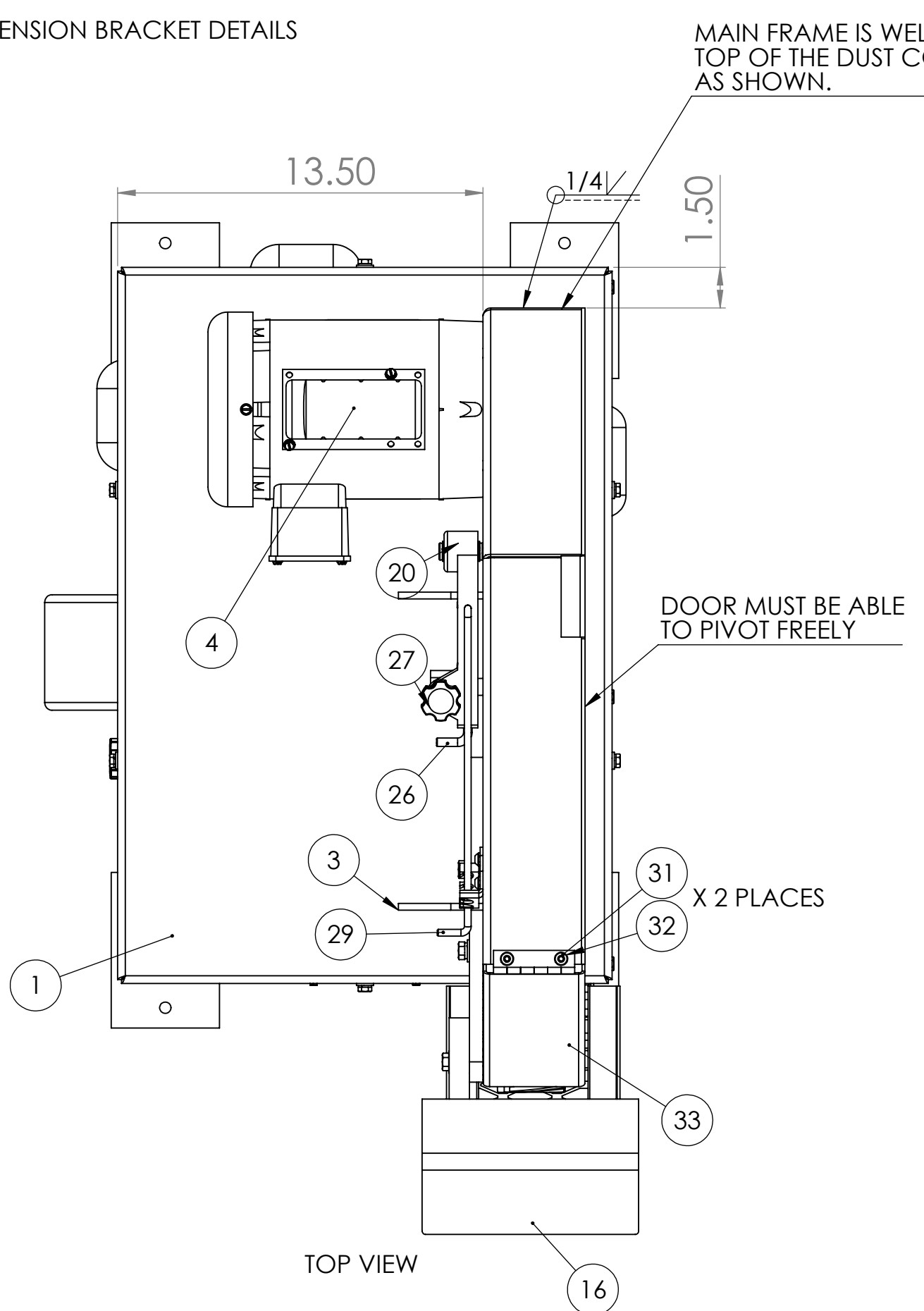
DETAIL E
SCALE 1:2
TENSION BRACKET DETAILS



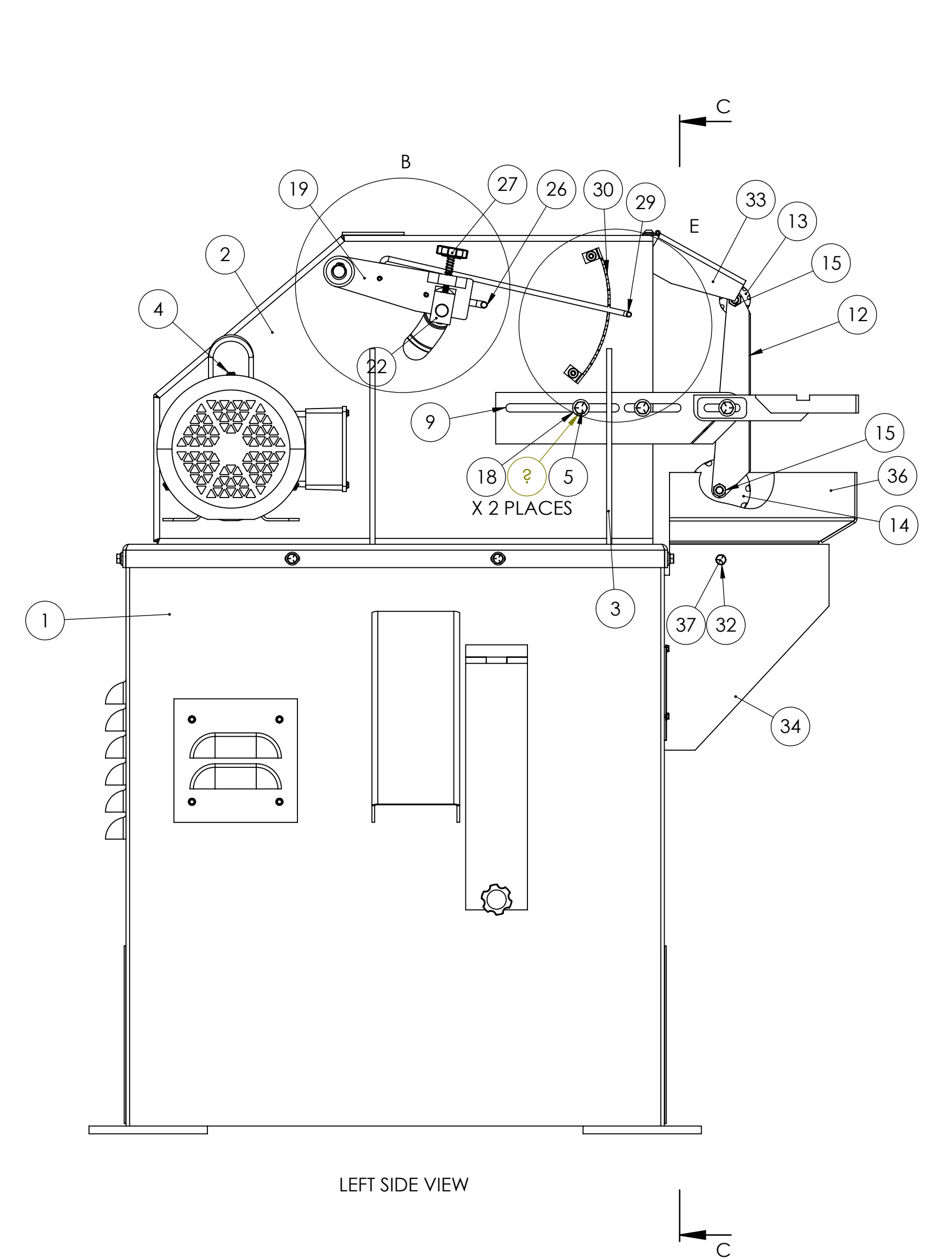
ITEM NO.	PART NUMBER	DESCRIPTION	QTY.
1	DCV-6	DCV-6 DUST COLLECTOR	1
2	291-036	FRAME FOR S272 SANDERS	1
3	061-011	BRACE FOR S272 FRAME	2
4	486-002	1 HP MOTOR FOR 2FSM-1HP, 2FS72M-1HP, S272, S45-1HP, S45WB, S460D, BG272, DCV-6, DCV-8	1
5	HHC5037016	3/8-16 X 1 HHCS GR5 Z	6
6	SLW2037	3/8 SPLIT L/W Z	6
7	560-053	6" DIA DRIVE PULLEY (NEW STYLE) FOR S272 AND BG260	1
8	049-019	SPINDLE PULLEY BUSHING FOR S460W, S6MM, S612 & BG272	1
9	048-003	ADJUSTING BAR FOR S272	1
10	HHC5031016	5/16-18 X 1 HHCS GR5 Z	1
11	SLW2031	5/16 SPLIT L/W Z	1
12	563-028	PLATEN FOR S272 SANDERS (NEW STYLE)	1
13	936-013	WHEEL CONTACT 1-1/2" DIA (2" WIDE) FOR S272 SANDERS	1
14	936-012	WHEEL CONTACT 3" DIA (2" WIDE) FOR S272 SANDERS	1
15	FJNZ038	3/8-24 F H JAM NUT	2
16	829-034	CAST IRON WORK TABLE FOR S272, S460, AND BG448	1
17	HHC5037032	3/8-16 X 2 HHCS GR5 Z	1
18	UFW2037	3/8 USS F/W Z	3
19	002-009	ARM, TRACKING FOR S272	1
20	562-013	TRACKING ARM PIN FOR S272 AND BG272	1
21	641-016	RETAINING RING FOR S6, S460W, S612	2
22	053-004	S272 TRACKING BLOCK	1
23	936-003	NYLON IDLER PULLEY W BEARINGS FOR S272, BG272, 2FS72M, BG248	1
24	SSKA025006	1/4-20 X 3/8 SOC SET KNURL PT.	1
25	SSKA025004	1/4-20 X 1/4 SOC SET KNURL PT.	2
26	562-014	PIVOT PIN FOR S272 SANDERS	1
27	696-009	KNOB, TRACKING FOR S272 AND BG272 SANDERS	1
28	697-036	SPRING, FOR S272 TRACKING KNOB	1
29	455-001	TENSION HANDLE FOR S272 AND BG272 HANDLE	1
30	041-014	TENSION BRACKET FOR S272 AND BG272	1
31	BSCA025008	1/4-20 X 1/2 BSHCS	4
32	SLW2025	1/4 SPLIT L/W Z	6
33	342-015	BELT GUARD FOR S272 SANDERS	1
34	124-005-INLET	VACUUM INLET FOR S272 SANDERS/DCV-6 CABINET	1
35	124-005-VENTCOVER	S272 SANDERS/DCV-6 CABINET 4" ORIFACE HOLE COVER	1
36	124-005-HOOD	VACUUM INLET HOOD FOR S272 SANDERS/DCV-6 CABINET	1
37	HHC5025008	1/4-20 X 1/2 HHCS GR5 Z	2
38	SHCA025016	1/4-20 X 1 SHCS	1



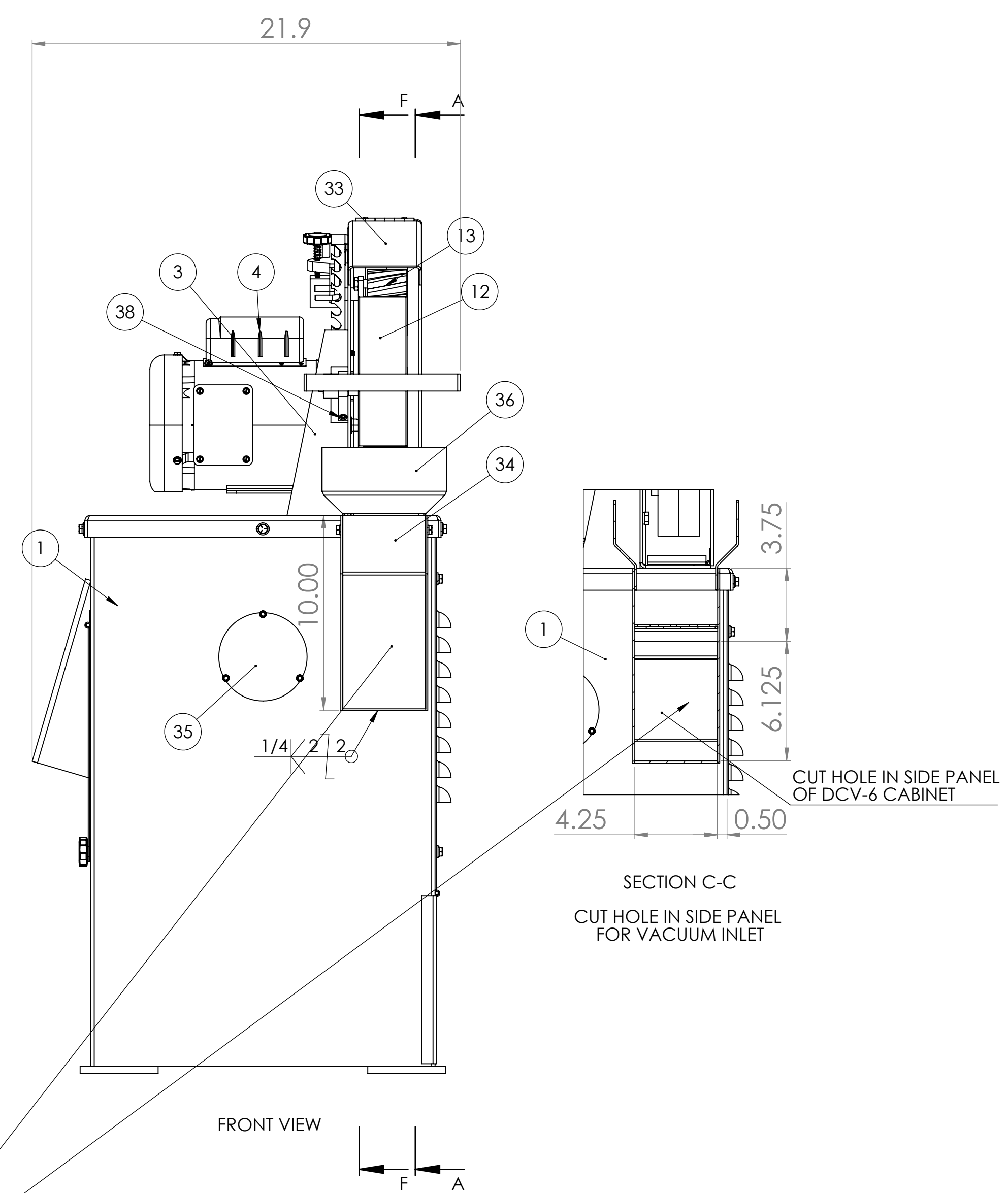
SECTION G-G
WELDING OF MAIN FRAME
TO DCV-6



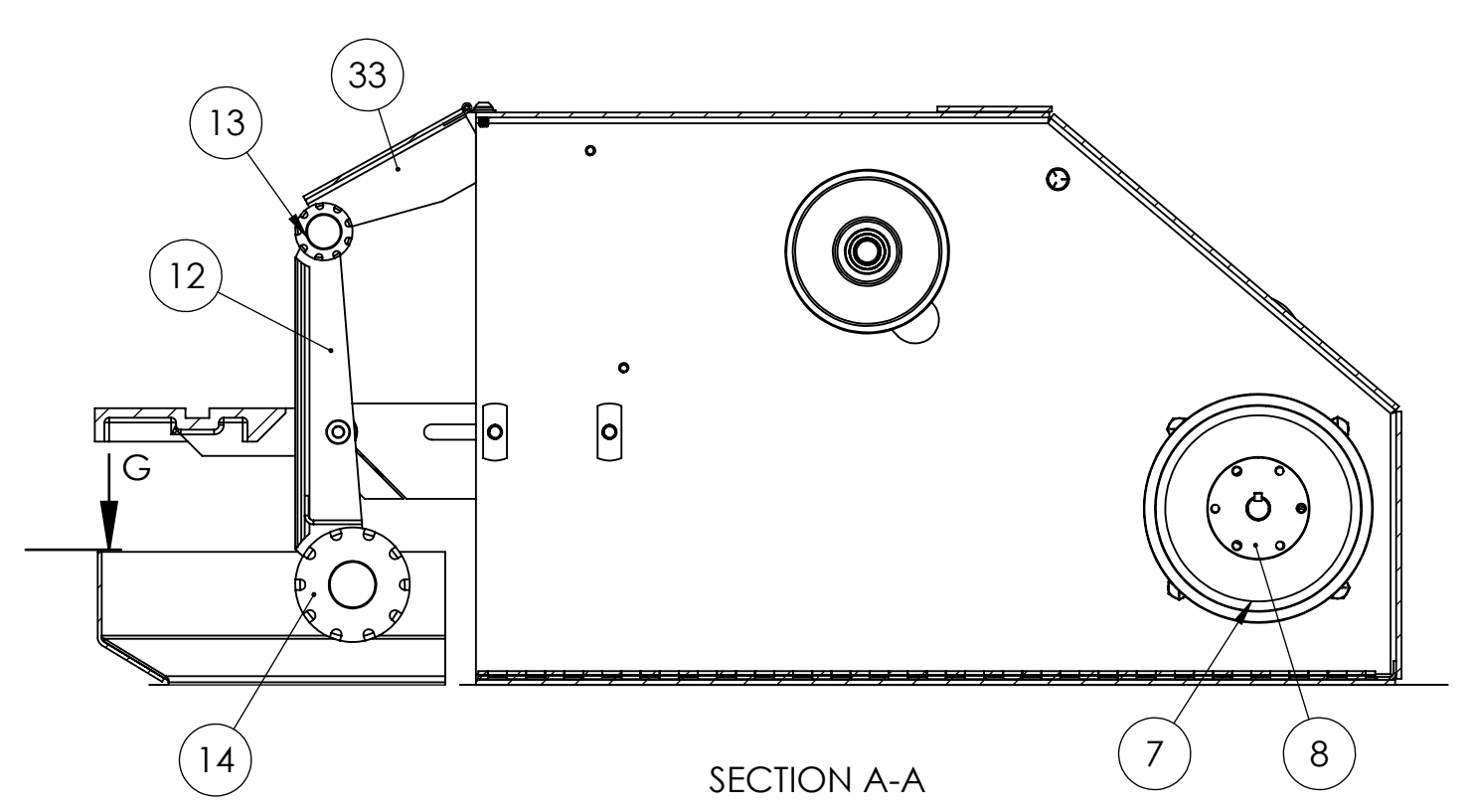
TOP VIEW



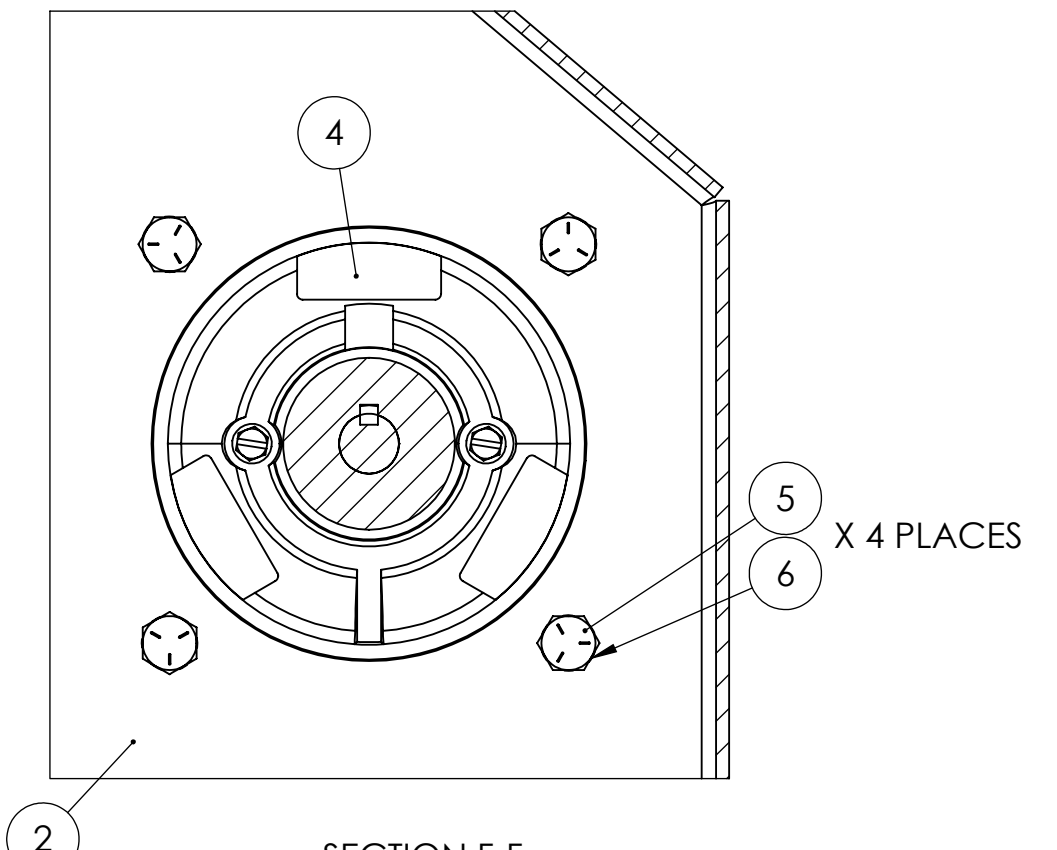
LEFT SIDE VIEW



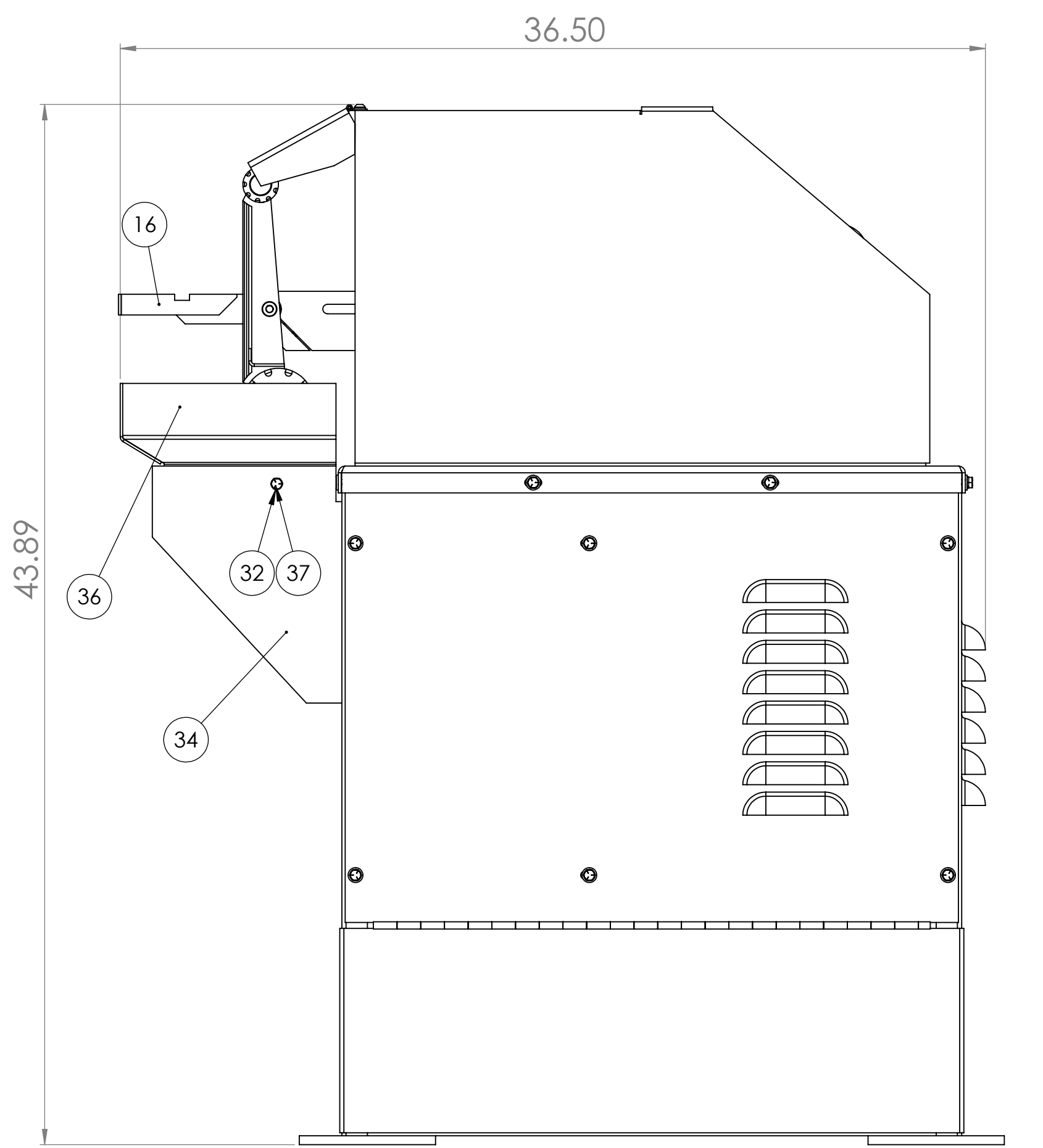
FRONT VIEW



SECTION A-A
MAIN FRAME INTERIOR
DETAILS



SECTION F-F
MOTOR MOUNT DETAILS
SCALE 1:2



RIGHT SIDE VIEW

SEE DCV-6 CABINET DRAWING FOR CABINET DETAILS.

DUST CHUTE IS WELDED IN PLACE OVER OPENING CUT IN THE SIDE OF THE DCV-6 CABINET

MAIN FRAME IS WELDED TO THE TOP OF THE DUST COLLECTOR CABINET AS SHOWN.

DOOR MUST BE ABLE TO PIVOT FREELY

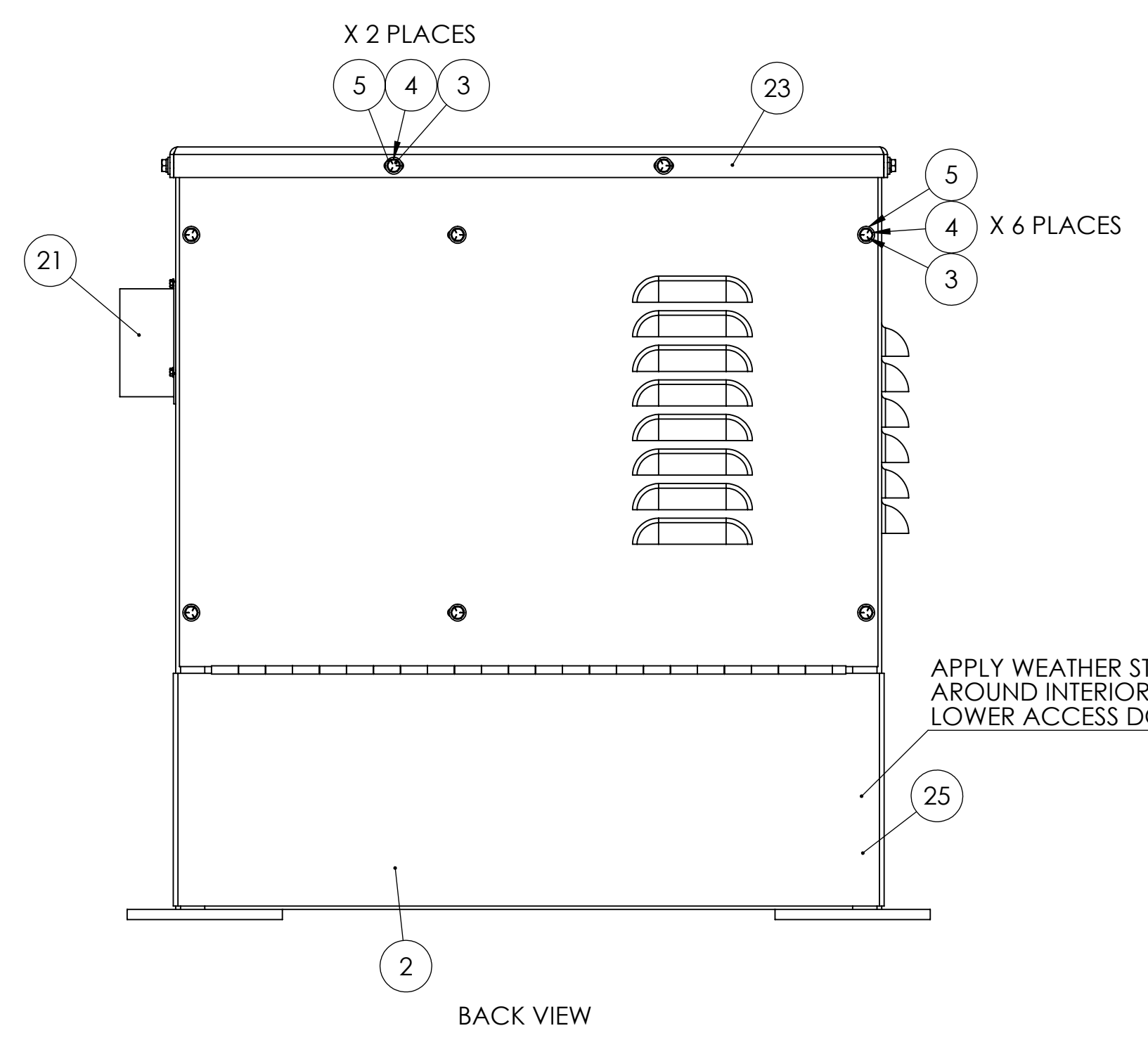
CUT HOLE IN SIDE PANEL OF DCV-6 CABINET

CUT HOLE IN SIDE PANEL FOR VACUUM INLET

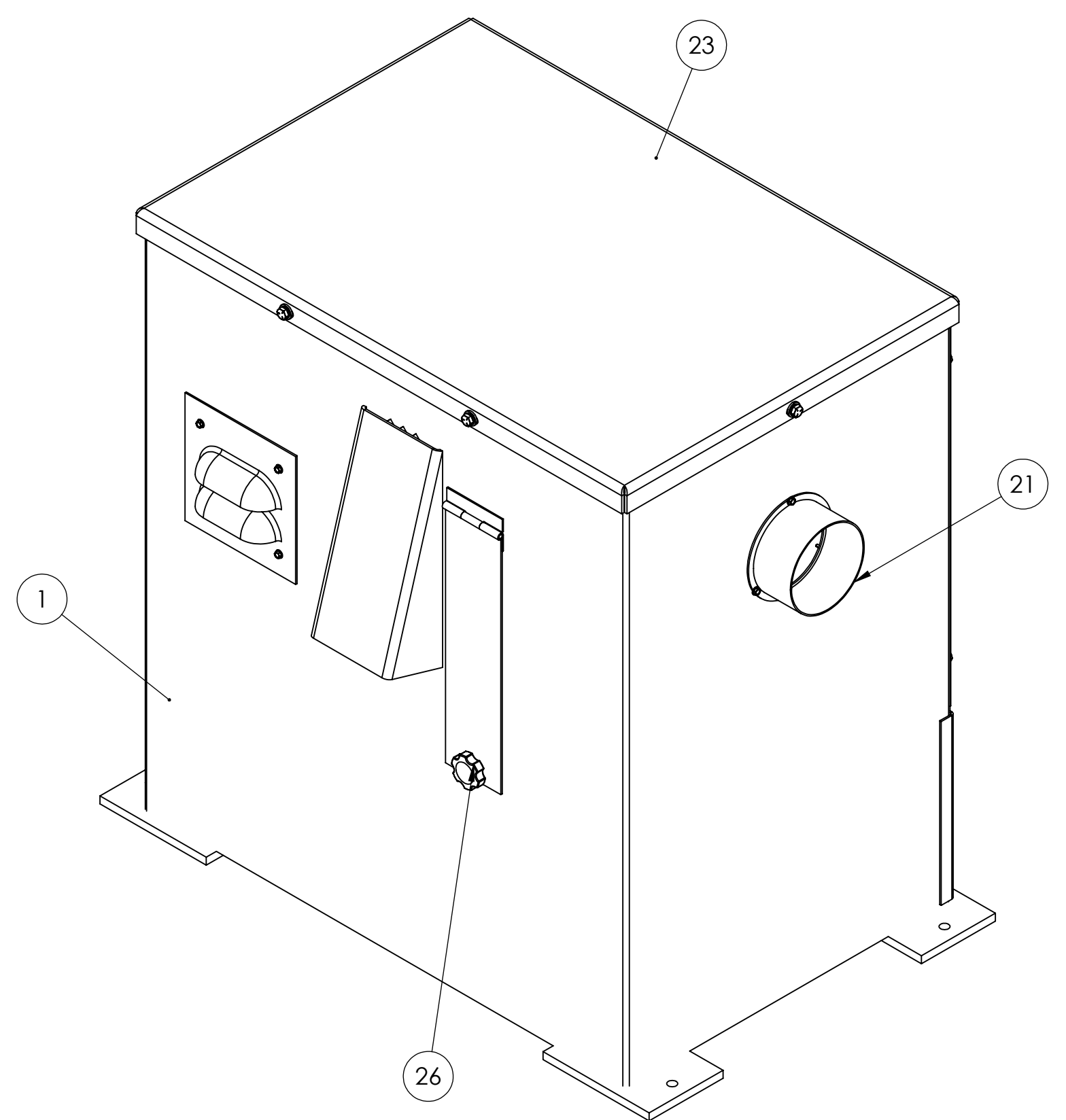
PROPRIETARY/CONFIDENTIAL
THE INFORMATION CONTAINED IN THIS DRAWING IS THE SOLE PROPERTY OF KALAMAZOR TOOL WORKS, INC. AND IS NOT TO BE REPRODUCED OR TRANSMITTED IN ANY FORM OR BY ANY MEANS, ELECTRONIC OR MECHANICAL, WITHOUT THE WRITTEN PERMISSION OF KALAMAZOR TOOL WORKS, INC.

UNLESS OTHERWISE SPECIFIED:	NAME	DATE
DIMENSIONS ARE IN INCHES	DRAWN BY	
TOLERANCES:	CHECKED	
FRACTIONS: 1/8, 1/4, 3/8, 1/2	ENG APPR	
DECIMALS: .1, .2, .3, .4, .5, .6, .7, .8, .9	MFG APPR	
THREE PLACE DECIMAL: .125, .250, .375, .500, .625, .750, .875, 1.000	D.A.	
INTERFERE GEOMETRIC TOLERANCES PER	COMMENTS:	
MATERIAL:		
NEED ASSIST	USED ON	FINISH
APPLICATION	DO NOT SCALE DRAWING	

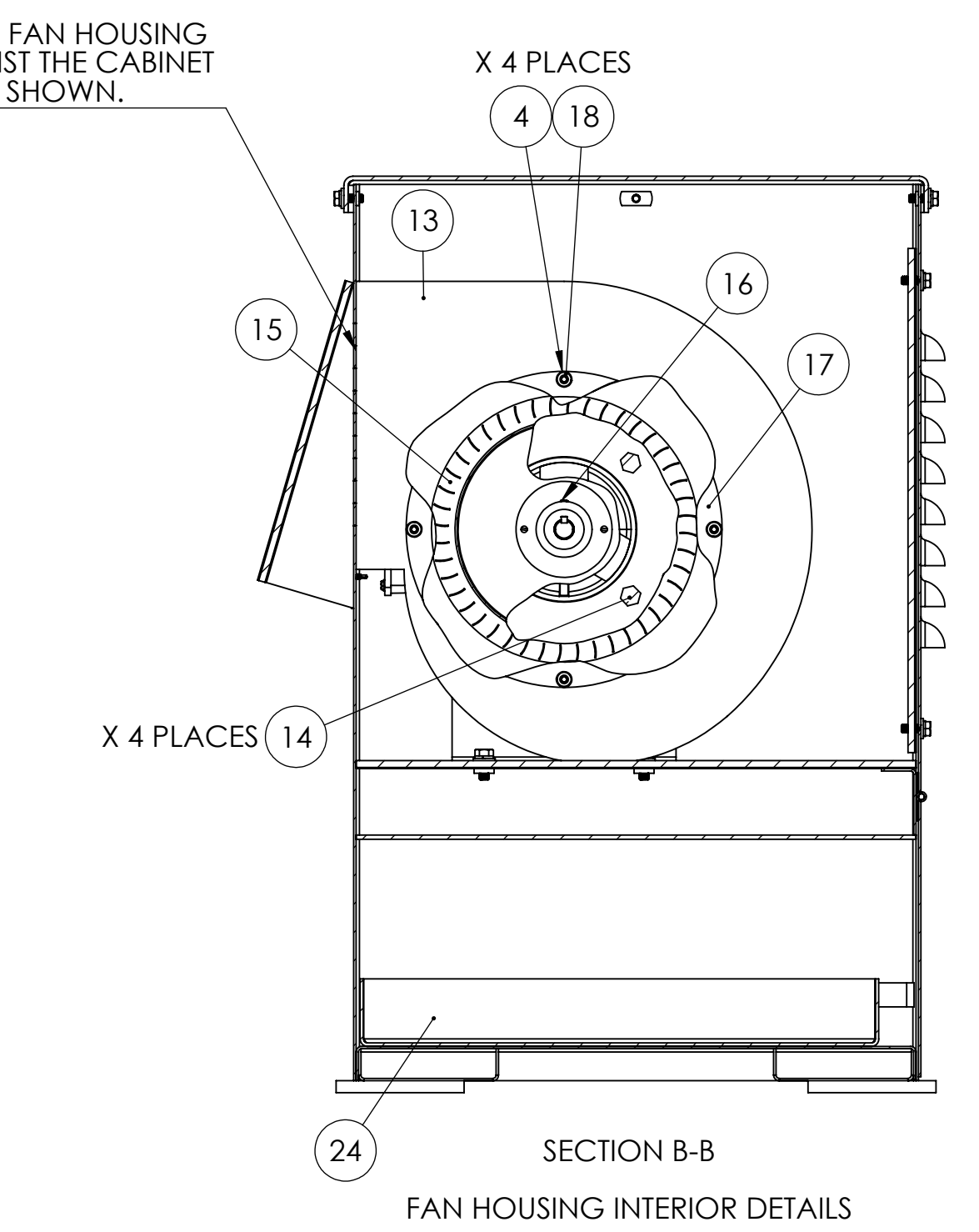
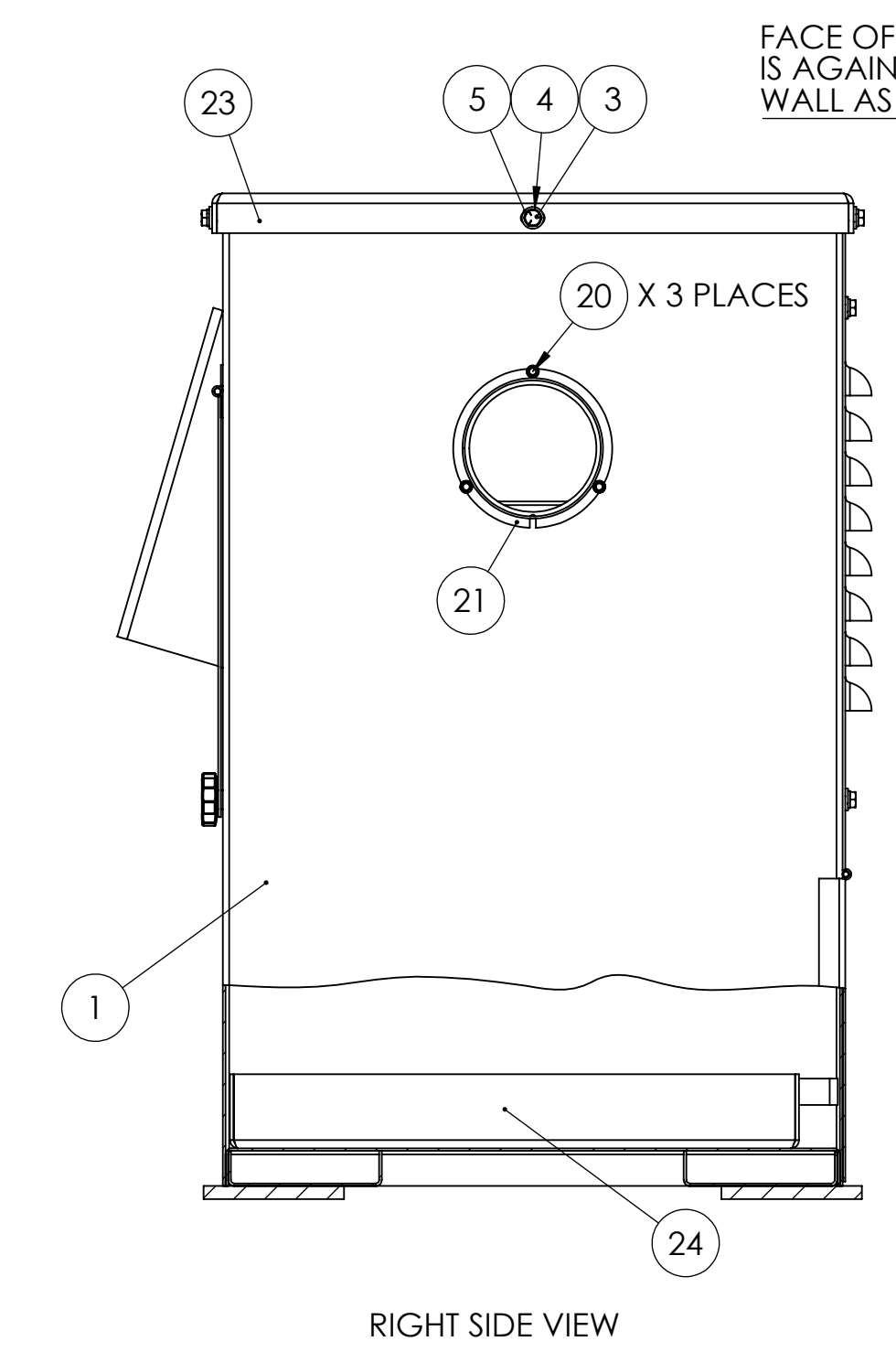
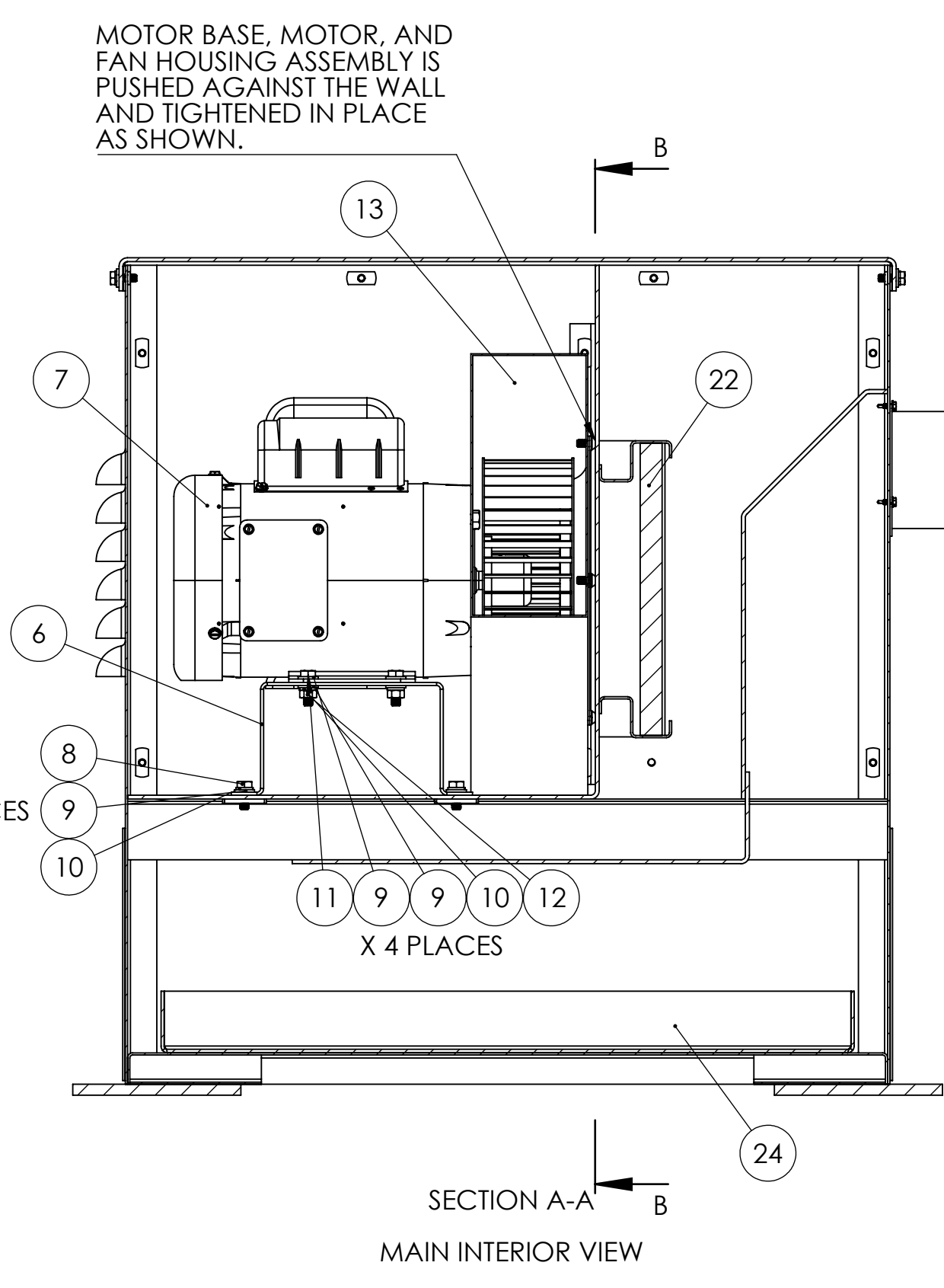
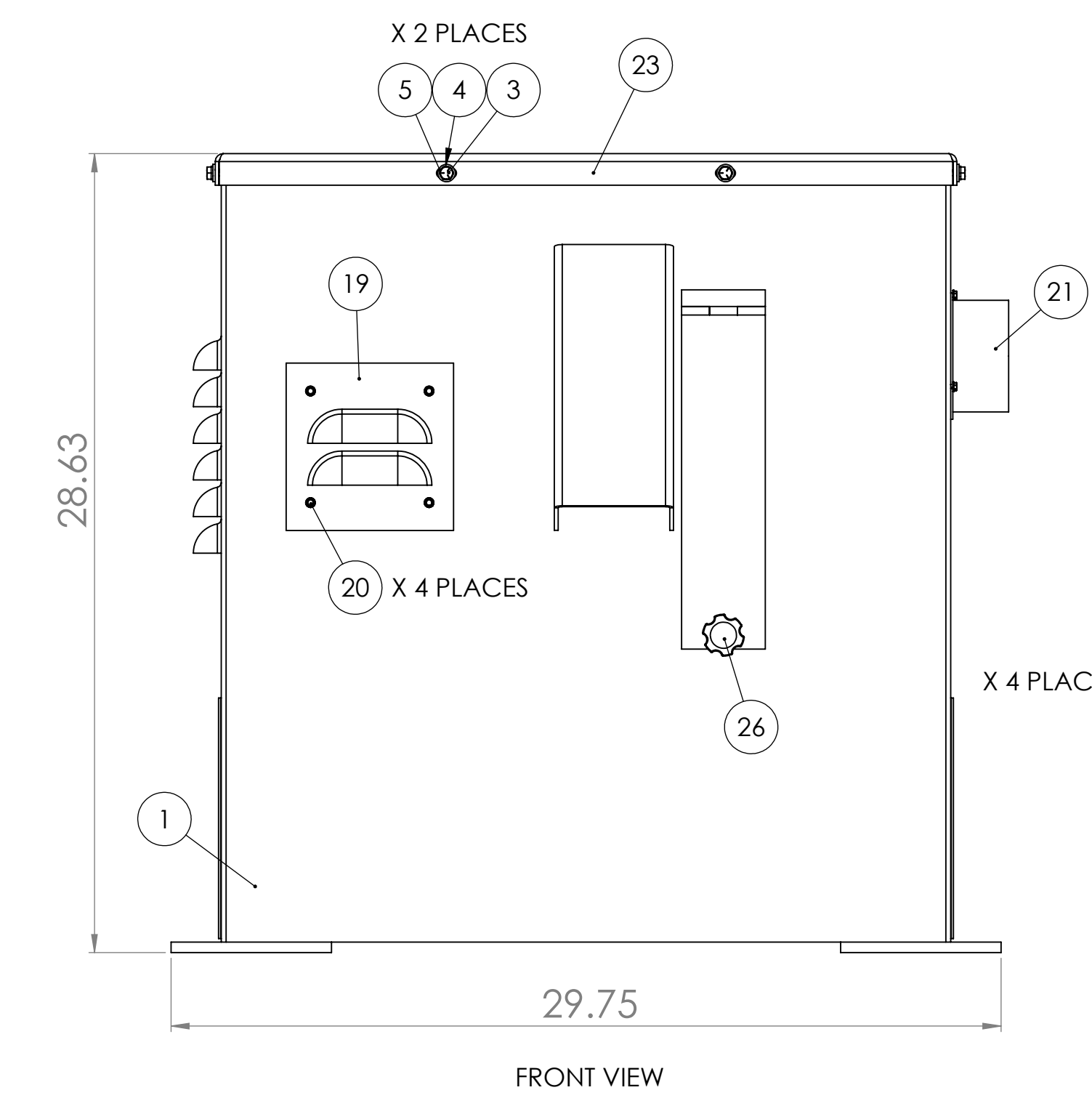
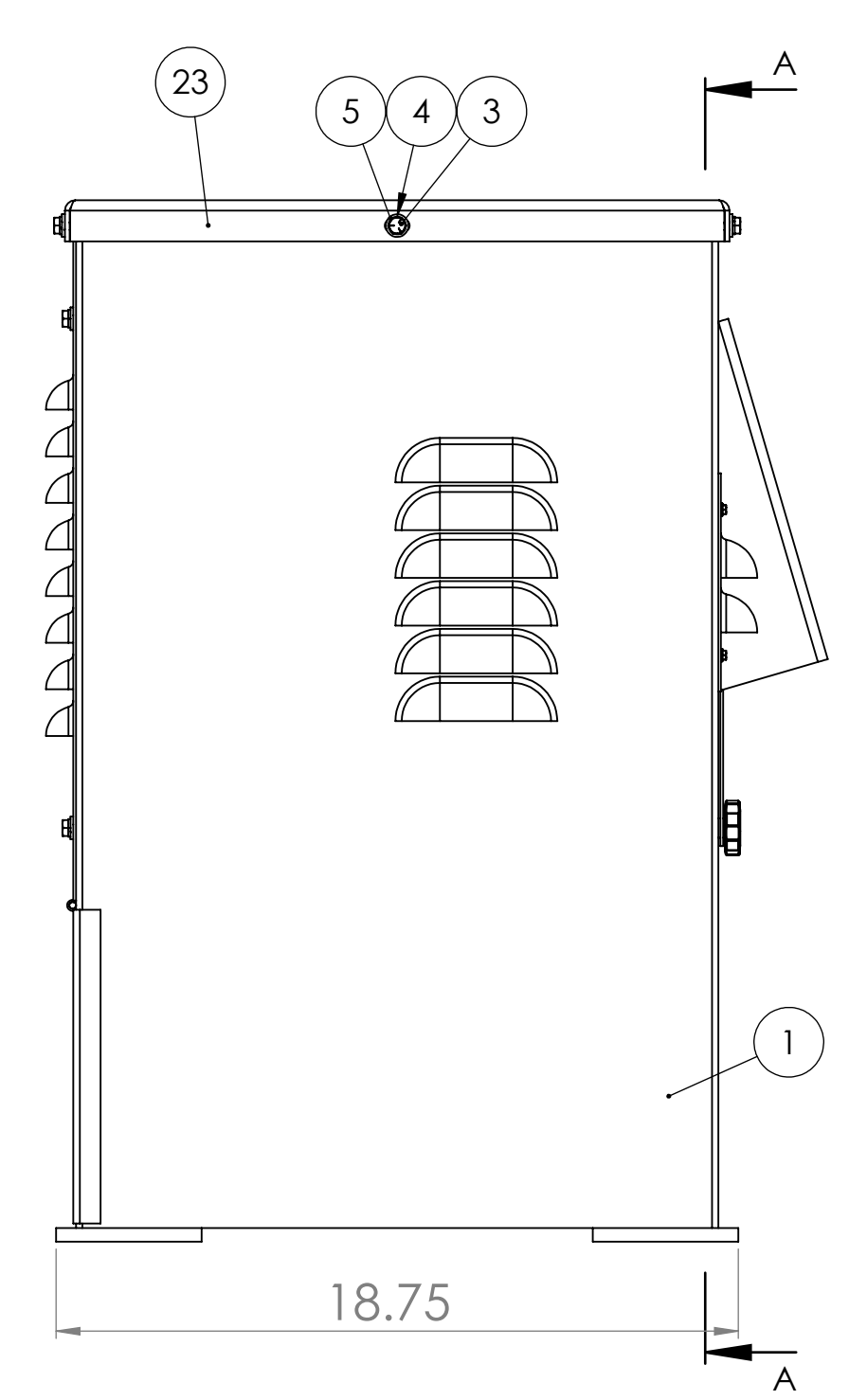
TITLE: **2" X 72" BELT GRINDER WITH DCV-6 VACUUM**
 SIZE: DWG. NO. **E S272V** REV
 SCALE: 1:5 WEIGHT: SHEET 1 OF 1



APPLY WEATHER STRIPPING, #25 AROUND INTERIOR PERIMETER OF LOWER ACCESS DOOR PANEL.



ITEM NO.	PART NUMBER	DESCRIPTION	QTY.
1	124-005	CABINET FOR DCV-6 DUST COLLECTOR	1
2	124-005-BACKPANEL	BACK PANEL ASSEMBLY FOR DCV-6 CABINET	1
3	HHC5025012	1/4-20 X 3/4 HHCS GR5 Z	12
4	SLWZ025	1/4 SPLIT L/W Z	16
5	UFWZ025	1/4 USS F/W Z	12
6	041-015	DCV-6 VACUUM MOTOR MOUNT BRACKET	1
7	486-002	1HP, 1PH, 3450RPM, 56F, 115/230 FOR 2FSM-1HP, 2FS72M-1HP, S272, S4S-1HP, S4SWB, S460	1
8	HHC5031012	5/16-18 X 3/4 HHCS GR5 Z	4
9	UFWZ031	5/16 USS F/W Z	12
10	SLWZ031	5/16 SPLIT L/W Z	8
11	HHC5031016	5/16-18 X 1 HHCS GR5 Z	4
12	FHN5031	5/16-18 FHN GR5 ZINC	4
13	386-026	HOUSING FAN FOR DCV-6	1
14	HHC5037016	3/8-16 X 1 HHCS GR5 Z	4
15	296-001	FAN, SQUIRREL CAGE FOR DCV-6	1
16	SSKA025004	1/4-20 X 1/4 SOC SET KNURL PT.	1
17	004-005	ADAPTOR, INLET CONE FOR DCV-6	1
18	BSCA025008	1/4-20 X 1/2 BSHCS	4
19	455-018	SMALL LOUVER PANEL FOR DCV-6 DUST COLLECTOR	1
20	HWZ008008	#8 X 1/2 HWH TEKS Z	7
21	342-069B	4" ORIFACE W/ FLANGE FOR 6" SANDER GUARDS	1
22	294-003	FILTER FOR DCV-6	1
23	124-006	VACUUM CABINET TOP FOR DCV-6	1
24	834-002	DUST TRAY FOR DCV-6	1
25	933-001 X 65 INCHES	65 INCHES OF WEATHER STRIPPING AROUND CABINET LOWER ACCESS DOOR	1
26	441-015	907B-2500-1.00S 1/4 THUMBSCREW 1-1/2 DIA	1



PROPRIETARY AND CONFIDENTIAL
THE INFORMATION CONTAINED IN THIS DRAWING IS THE SOLE PROPERTY OF KALAMAZOO INDUSTRIES, INC. ANY REPRODUCTION IN PART OR AS A WHOLE WITHOUT THE WRITTEN PERMISSION OF KALAMAZOO INDUSTRIES, INC. IS PROHIBITED.

UNLESS OTHERWISE SPECIFIED:		NAME	DATE
DIMENSIONS ARE IN INCHES			
FRACTIONAL: ±			
ANGULAR: ±			
TWO PLACE DECIMAL: ±			
THREE PLACE DECIMAL: ±			
INTERPRET GEOMETRIC TOLERANCING PER: MATERIAL			
FINISH			
APPLICATION	DO NOT SCALE DRAWING		

DRAWN	CHECKED	ENG APPR.	MFG APPR.	Q.A.	COMMENTS:

TITLE:	KALAMAZOO INDUSTRIES, INC.		
	DCV-6 DUST COLLECTOR		
SIZE DWG. NO.	D	DCV-6	REV
SCALE: 1:5	WEIGHT:		SHEET 1 OF 1