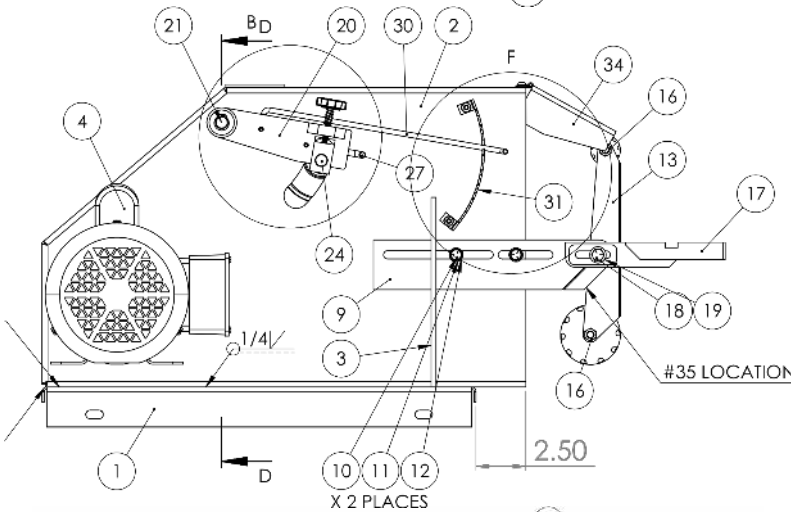
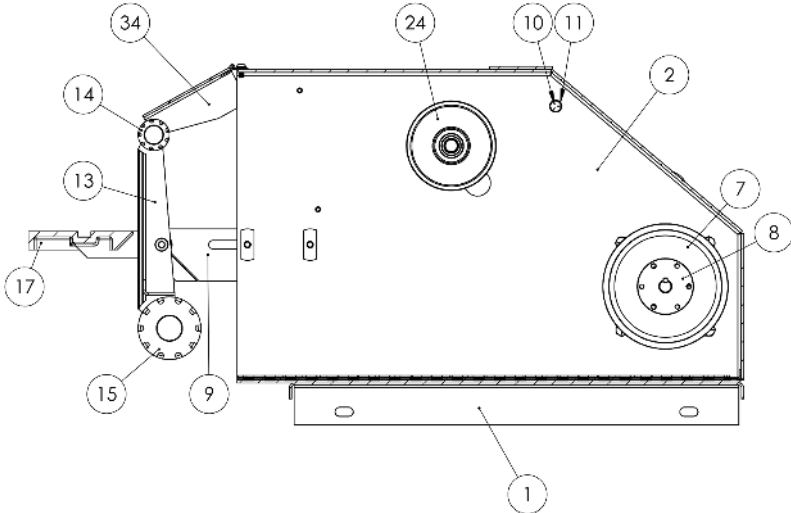
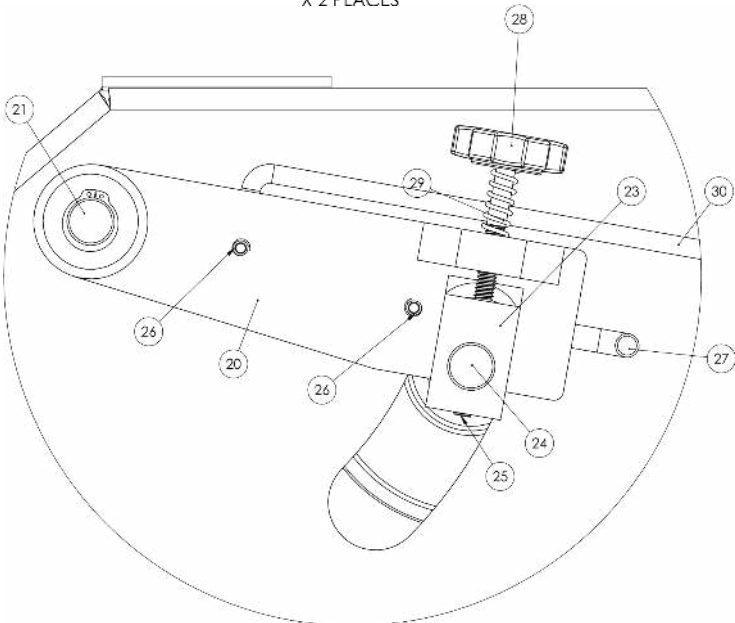


S272 2 X 72 INCH BELT GRINDER

REPLACEMENT PARTS LIST

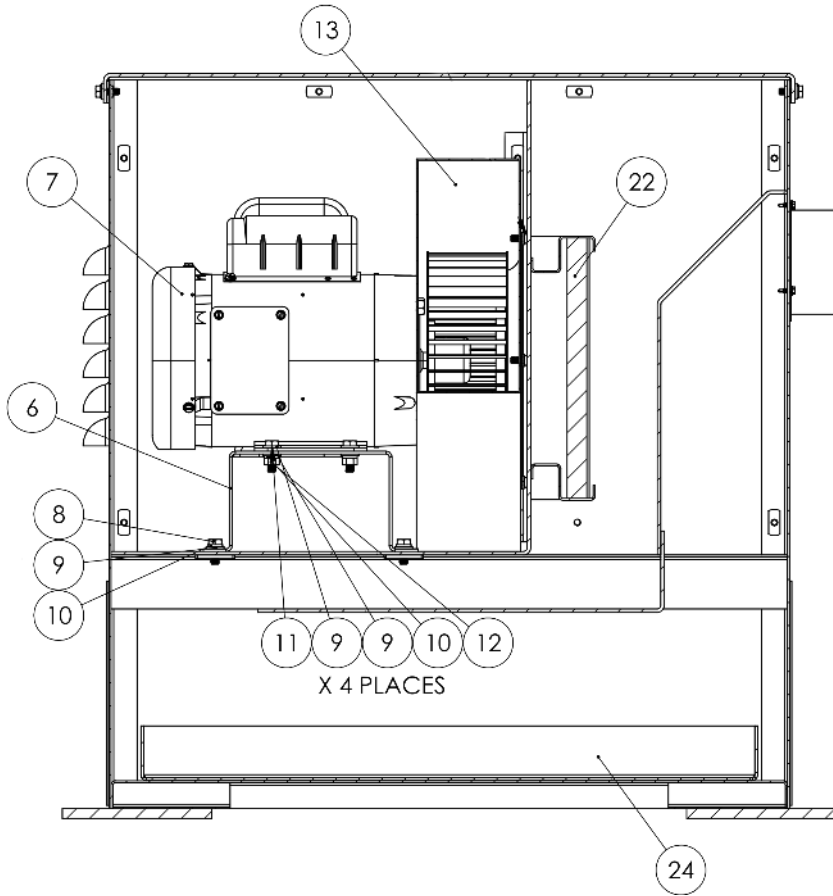


ITEM NO.	PART NUMBER	DESCRIPTION	QTY.
1	829-031	TOP, 12-P STAND	1
2	291-036	FRAME FOR S272 SANDERS	1
3	061-011	BRACE, FOR S272 FRAME	1
4	486-002	1HP, 1PH, 3450RPM, 56F, 115/230 FOR 2FSM-1HP, 2FS72M-1HP, S272, S4S-1HP, S4SWB, S460	1
5	HHC5037016	3/8-16 X 1 HHCS GR5 Z	4
6	SLWZ037	3/8 SPLIT L/W Z	4
7	560-053	6" DIA DRIVE PULLEY (NEW STYLE) FOR S272 AND BG260	1
8	049-019	SHX5/8 BUSHING FOR SPINDLE V BELT PULLEY FOR S460W, S6MW, S612, BG272	1
9	048-003	ADJUSTING BAR FOR S272	1
10	HHC5031016	5/16-18 X 1 HHCS GR5 Z	3
11	SLWZ031	5/16 SPLIT L/W Z	3
12	UFWZ031	5/16 USS F/W Z	2
13	563-028	PLATEN FOR S272 SANDERS (NEW STYLE)	1
14	936-013	WHEEL, CONTACT 1-1/2" DIA (2" WIDE) FOR S272 SANDERS	1
15	936-012	WHEEL, CONTACT 3" DIA (2" WIDE) FOR S272 SANDERS	1
16	FJNZ038	3/8-24 F H JAM NUT	2
17	829-034	CAST IRON WORK TABLE FOR S272, S460, AND BG448	1
18	HHC5037032	3/8-16 X 2 HHCS GR5 Z	1
19	UFWZ037	3/8 USS F/W Z	1
20	002-009	ARM, TRACKING FOR S272	1
21	562-013	TRACKING ARM PIN FOR S272 AND BG272	1
22	641-016	RETAINING RING SHR-62 ST PA 5/8 BLACK PHOSPHATE FOR S6, S460W, S612	2
23	053-004	S272 TRACKING BLOCK	1
24	936-003	NYLON IDLER PULLEY W BEARINGS FOR S272, BG272, 2FS72M, BG248	1
25	SSKA025006	1/4-20 X 3/8 SOC SET KNURL PT.	1
26	SSKA025004	1/4-20 X 1/4 SOC SET KNURL PT.	2
27	562-014	PIVOT PIN FOR S272 SANDERS	1
28	696-009	KNOB, TRACKING FOR S272 AND BG272 SANDERS	1
29	697-036	SPRING, FOR S272 TRACKING KNOB	1
30	455-001	TENSION HANDLE FOR S272 AND BG272 HANDLE	1
31	041-014	TENSION BRACKET FOR S272 AND BG272	1
32	BSCA025008	1/4-20 X 1/2 BSHCS	4
33	SLWZ025	1/4 SPLIT L/W Z	4
34	342-015	BELT GUARD FOR S272 SANDERS	1
35	SHCA025016	1/4-20 X 1 SHCS	1



DUST COLLECTOR

REPLACEMENT PARTS



ITEM NO.	PART NUMBER	DESCRIPTION	QTY.
1	124-005	CABINET FOR DCV-6 DUST COLLECTOR	1
2	124-005-BACKPANEL	BACK PANEL ASSEMBLY FOR DCV-6 CABINET	1
3	HHC5025012	1/4-20 X 3/4 HHCS GR5 Z	12
4	SLWZ025	1/4 SPLIT L/W Z	16
5	UFWZ025	1/4 USS F/W Z	12
6	041-015	DCV-6 VACUUM MOTOR MOUNT BRACKET	1
7	486-002	1HP, 1PH, 3450RPM, 56F, 115/230 FOR 2FSM-1HP, 2FS72M-1HP, S272, S4S-1HP, S4SWB, S460	1
8	HHC5031012	5/16-18 X 3/4 HHCS GR5 Z	4
9	UFWZ031	5/16 USS F/W Z	12
10	SLWZ031	5/16 SPLIT L/W Z	8
11	HHC5031016	5/16-18 X 1 HHCS GR5 Z	4
12	FHN5031	5/16-18 FHN GR5 ZINC	4
13	386-026	HOUSING FAN FOR DCV-6	1
14	HHC5037016	3/8-16 X 1 HHCS GR5 Z	4
15	296-001	FAN, SQUIRREL CAGE FOR DCV-6	1
16	SSKA025004	1/4-20 X 1/4 SOC SET KNURL PT.	1
17	004-005	ADAPTOR, INLET CONE FOR DCV-6	1
18	BSCA025008	1/4-20 X 1/2 BSHCS	4
19	455-018	SMALL LOUVER PANEL FOR DCV-6 DUST COLLECTOR	1
20	HWTZ008008	#8 X 1/2 HWH TEKS Z	7
21	342-069B	4" ORIFACE W/ FLANGE FOR 6" SANDER GUARDS	1
22	294-003	FILTER FOR DCV-6	1
23	124-006	VACUUM CABINET TOP FOR DCV-6	1
24	834-002	DUST TRAY FOR DCV-6	1
25	933-001X65INCHES	65 INCHES OF WEATHER STRIPPING AROUND CABINET LOWER ACCESS DOOR	1
26	441-015	907B-2500-1.00S 1/4 THUMBSCREW 1-1/2 DIA	1