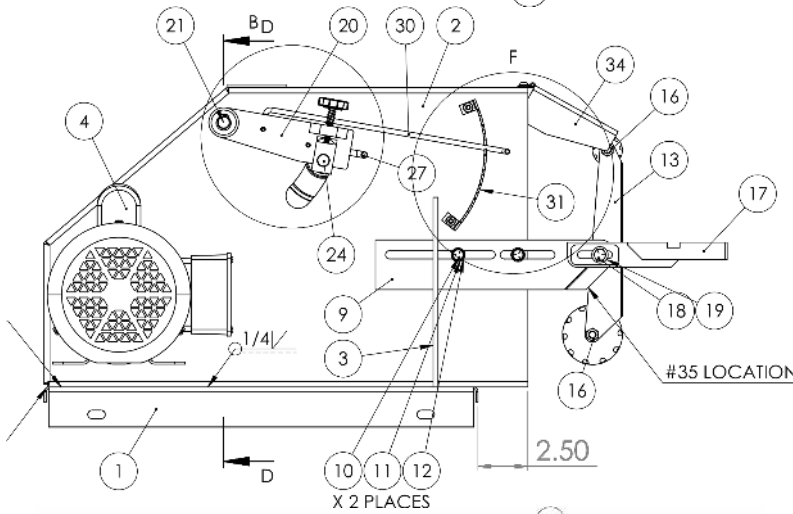
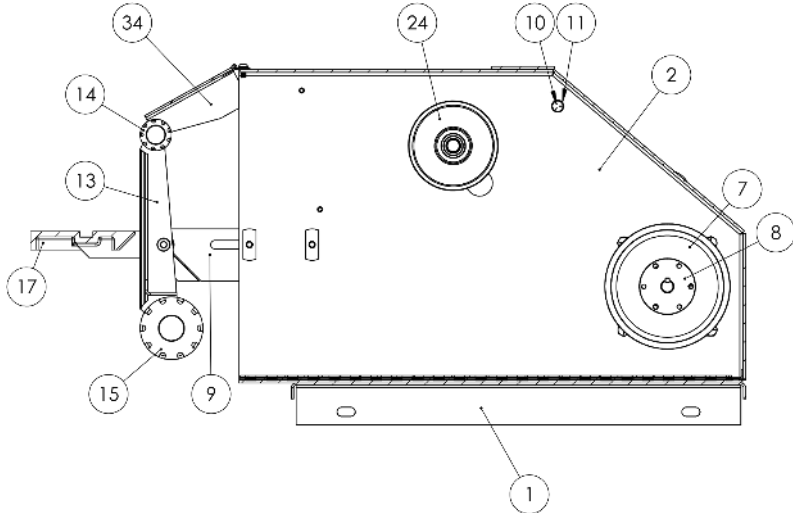


S272 2 X 72 INCH BELT GRINDER

REPLACEMENT PARTS LIST



| ITEM NO. | PART NUMBER | DESCRIPTION | QTY. |
|----------|-------------|--|------|
| 1 | 829-031 | TOP, 12-P STAND | 1 |
| 2 | 291-036 | FRAME FOR S272 SANDERS | 1 |
| 3 | 061-011 | BRACE, FOR S272 FRAME | 1 |
| 4 | 486-002 | 1HP, 1PH, 3450RPM, 56F, 115/230 FOR 2FSM-1HP, 2FS72M-1HP, S272, S4S-1HP, S4SWB, S460 | 1 |
| 5 | HHC5037016 | 3/8-16 X 1 HHCS GR5 Z | 4 |
| 6 | SLWZ037 | 3/8 SPLIT L/W Z | 4 |
| 7 | 560-053 | 6" DIA DRIVE PULLEY (NEW STYLE) FOR S272 AND BG260 | 1 |
| 8 | 049-019 | SHX5/8 BUSHING FOR SPINDLE V BELT PULLEY FOR S460W, S6MW, S612, BG272 | 1 |
| 9 | 048-003 | ADJUSTING BAR FOR S272 | 1 |
| 10 | HHC5031016 | 5/16-18 X 1 HHCS GR5 Z | 3 |
| 11 | SLWZ031 | 5/16 SPLIT L/W Z | 3 |
| 12 | UFWZ031 | 5/16 USS F/W Z | 2 |
| 13 | 563-028 | PLATEN FOR S272 SANDERS (NEW STYLE) | 1 |
| 14 | 936-013 | WHEEL, CONTACT 1-1/2" DIA (2" WIDE) FOR S272 SANDERS | 1 |
| 15 | 936-012 | WHEEL, CONTACT 3" DIA (2" WIDE) FOR S272 SANDERS | 1 |
| 16 | FJNZ038 | 3/8-24 F H JAM NUT | 2 |
| 17 | 829-034 | CAST IRON WORK TABLE FOR S272, S460, AND BG448 | 1 |
| 18 | HHC5037032 | 3/8-16 X 2 HHCS GR5 Z | 1 |
| 19 | UFWZ037 | 3/8 USS F/W Z | 1 |
| 20 | 002-009 | ARM, TRACKING FOR S272 | 1 |
| 21 | 562-013 | TRACKING ARM PIN FOR S272 AND BG272 | 1 |
| 22 | 641-016 | RETAINING RING SHR-62 ST PA 5/8 BLACK PHOSPHATE FOR S6, S460W, S612 | 2 |
| 23 | 053-004 | S272 TRACKING BLOCK | 1 |
| 24 | 936-003 | NYLON IDLER PULLEY W BEARINGS FOR S272, BG272, 2FS72M, BG248 | 1 |
| 25 | SSKA025006 | 1/4-20 X 3/8 SOC SET KNURL PT. | 1 |
| 26 | SSKA025004 | 1/4-20 X 1/4 SOC SET KNURL PT. | 2 |
| 27 | 562-014 | PIVOT PIN FOR S272 SANDERS | 1 |
| 28 | 696-009 | KNOB, TRACKING FOR S272 AND BG272 SANDERS | 1 |
| 29 | 697-036 | SPRING, FOR S272 TRACKING KNOB | 1 |
| 30 | 455-001 | TENSION HANDLE FOR S272 AND BG272 HANDLE | 1 |
| 31 | 041-014 | TENSION BRACKET FOR S272 AND BG272 | 1 |
| 32 | BSCA025008 | 1/4-20 X 1/2 BSHCS | 4 |
| 33 | SLWZ025 | 1/4 SPLIT L/W Z | 4 |
| 34 | 342-015 | BELT GUARD FOR S272 SANDERS | 1 |
| 35 | SHCA025016 | 1/4-20 X 1 SHCS | 1 |

