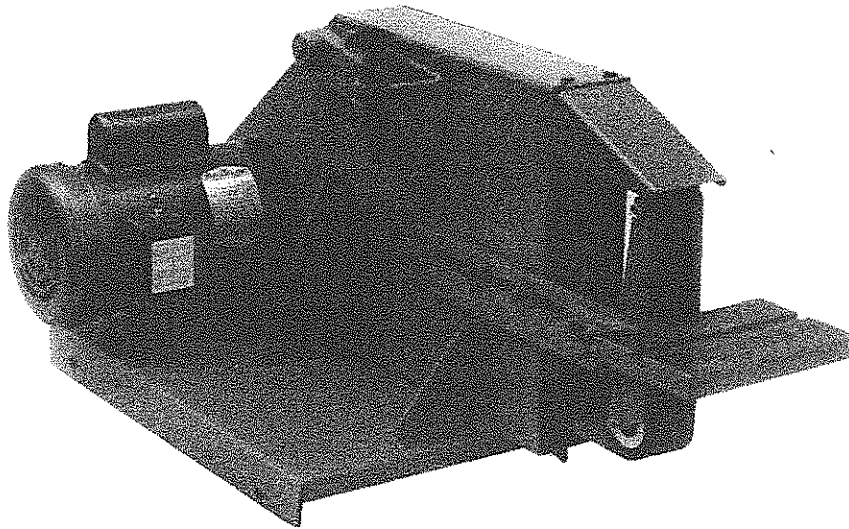


INSTRUCTION MANUAL S272



**KALAMAZOO
INDUSTRIES, INC.**

6856 East K Avenue
Kalamazoo, MI 49048
269-382-2050 PH
269-382-0790 FAX
www.kalamazooindustries.com

WARRANTY

All products are guaranteed for a period of one year to the original purchaser, against defects in material workmanship under normal use. Electric motors are warranted by the motor manufacturer and will be repaired by the nearest motor repair station. If non-repairable, they will be replaced by Kalamazoo Industries. Please call for instructions 269-382-2050.

RETURN POLICY

Authorization must be obtained before returning merchandise. Please call our customer service department for a return authorization number at 269-382-2050. Please include with your return a copy of your invoice or packing slip. Materials must be sent back prepaid. (Unless otherwise indicated). All returns will be subject to a 10% restocking charge. No returns will be accepted after one year of invoice date.

BELT SANDER SAFETY

- READ THE OPERATING INSTRUCTIONS BEFORE RUNNING MACHINE.
- ALWAYS WEAR SAFETY GLASSES OR A FULL FACE SHIELD FOR PROTECTION.
- KEEPS HANDS CLEAR OF THE SANDING AREA.
- NEVER WEAR GLOVES OR LOOSE FITTING CLOTHES WHEN OPERATING THIS MACHINE.
- ALWAYS KEEP HAIR TIED BACK OR COVERED.
- LET MACHINE ROTATION COME TO A FULL STOP BEFORE CHANGING BELT.
- KEEP SAFETY GUARDS IN PLACE. DO NOT ALTER GUARDS OR MACHINE IN ANY WAY. ANY ALTERATIONS TO GUARDS OR MACHINE COULD CAUSE SERIOUS INJURY.
- ALL BELT SANDERS SHOULD BE OPERATED IN A WELL-VENTILATED AREA. THE DUST CREATED WHEN SOME MATERIALS ARE SANDED CAN BE HARMFUL. DUST MASKS ARE RECOMMENDED AS A PRACTICAL MEANS OF MINIMIZING DUST INHALATION. FUMES FROM OTHER SOURCES CAN ALSO CAUSE FIRES WHEN IN CONTACT WITH SANDING SPARKS.
- SPARKS CREATED BY SANDING SHOULD BE DIRECTED DOWNWARD AND AWAY FROM THE FACE AND BODY. DO NOT GRIND NEAR FLAMMABLE MATERIAL.
- ELECTRIC SANDING MACHINES ARE NOT INTENDED FOR USE IN OR NEAR WATER. THIS INCLUDES AN OPERATOR STANDING ON A WET FLOOR OR WORKING AROUND CONTAINERS OF WATER OR OTHER CONDUCTIVE LIQUIDS.

KALAMAZOO INDUSTRIES, INC.
6856 East K Avenue
Kalamazoo, MI 49048
269-382-2050 PH
269-382-0790 FAX
www.kalamazooindustries.com



Made in USA



6856 East K Avenue - Kalamazoo, MI 49048-6042
Phone 269-382-2050 Fax 269-382-0790
www.kalamazooindustries.com

Model: S272

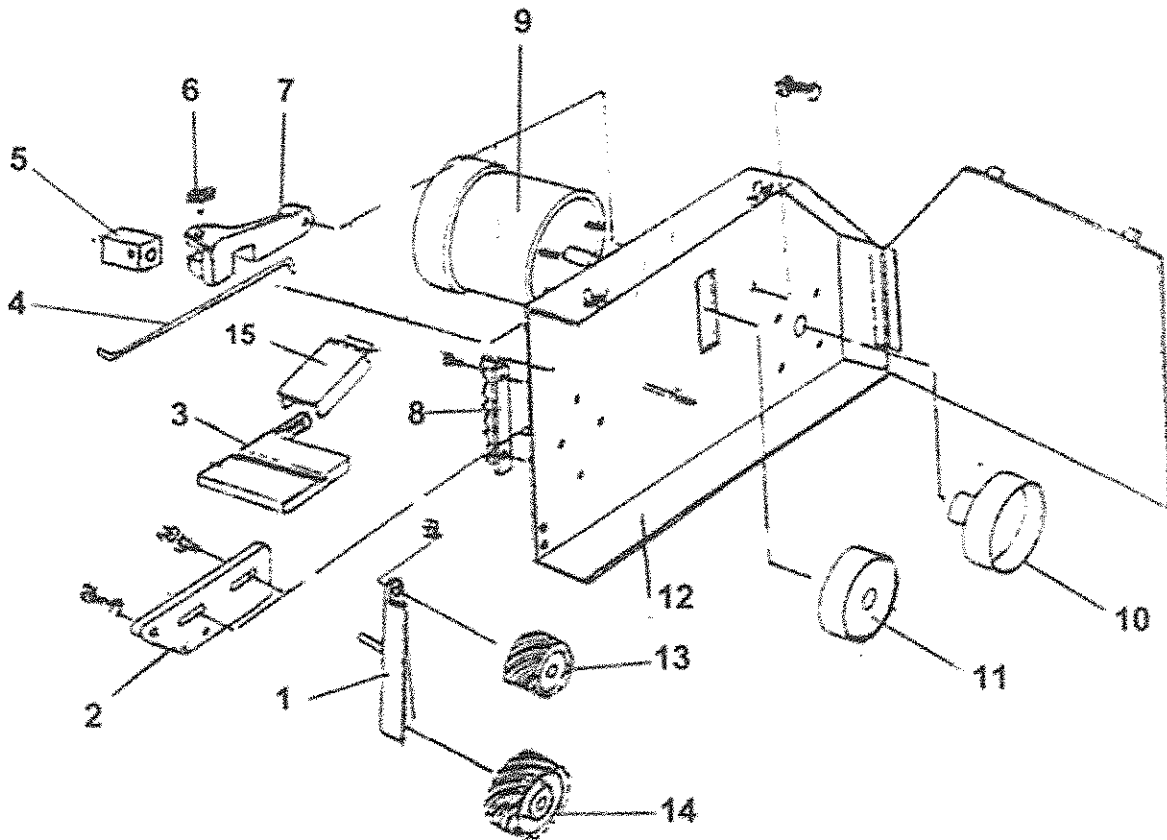
Basic Operation

1 hp, 1ph or 3 ph. 5400 SFPM

1. Remove from shipping box, check to be sure that incoming voltage matches the unit.
2. Belt changing- Turn off machine power, open the side door of the machine to expose the sanding belt. Release lever #4 (see parts sheet) from rack (#8) . This releases belt tension. Remove sanding belt and replace with a new belt. Re-tension the sanding belt by pulling up on lever #4 and locking it into the rack (#8). Only moderate pressure is needed.
3. Belt tracking- Track or “center on the pulleys” the sanding belt with knob (#6). This moves the sanding belt left or right. The belt should stay centered or “tracked”.
4. Platen- S272 has two serrated 70 duro contact wheels on either end of the platen (#1). You can position the platen and contact wheels in any configuration needed. Loosen the center bolt on the platen (#1) and rotate to the position desired. Use either contact wheel or just the flat platen area. The adjusting bar (#2) may need to be loosened and pulled tight to get correct belt tension for the platen position. Re-tighten all bolts and cap screws to maintain platen/contact wheel position.
5. Work table- When using the work table keep the table within 1/8” of the sanding belt to prevent “pinching” the workpiece between the belt and the table.
6. Belt guard- Keep the flip down belt guard (#15) in position.
7. Safety- Always follow correct safety procedures. SEE SAFETY SHEET.

Kalamazoo Industries, Inc.

MODEL S272 SERIES



ITEM NO	PART NO.	DESCRIPTION
1	563-001	PLATEN
2	048-003	ADJUSTING BAR
3	829-034	WORK TABLE S272
4	455-001	TENSION HANDLE
5	053-004	TRACKING BLOCK
6	696-009	TRACKING KNOB
7	002-009	TRACKING ARM
8	041-014	TENSION BRACKET
9	486-002	CL3509 1HP, 1PH
9	486-004	CM3545 1HP, 3PH
10	560-053	DRIVE PULLEY w/ bushing
11	936-003	IDLER PULLEY W/BRGS
12	291-003	FRAME
13	936-013	CONTACT WHEEL 1-1/2" S272
14	936-012	CONTACT WHEEL 3" S272
15	342-015	BELT GUARD
	562-013	IDLER PIN
	562-014	PIVOT PIN
	CW-5	5" CONTACT WHEEL

KALAMAZOO INDUSTRIES, INC. 6856 East K Ave. Kalamazoo, MI 49048
 269-382-2050 PH 269-382-0790 FAX www.kalamazooindustries.com