

MOJOR 15hp. 3ph
220Volt or 440Volt

MAGNETIC STARTER
W/ over load protection
& jog button

BELT 14" x 103" PLATEN 14"x 36"

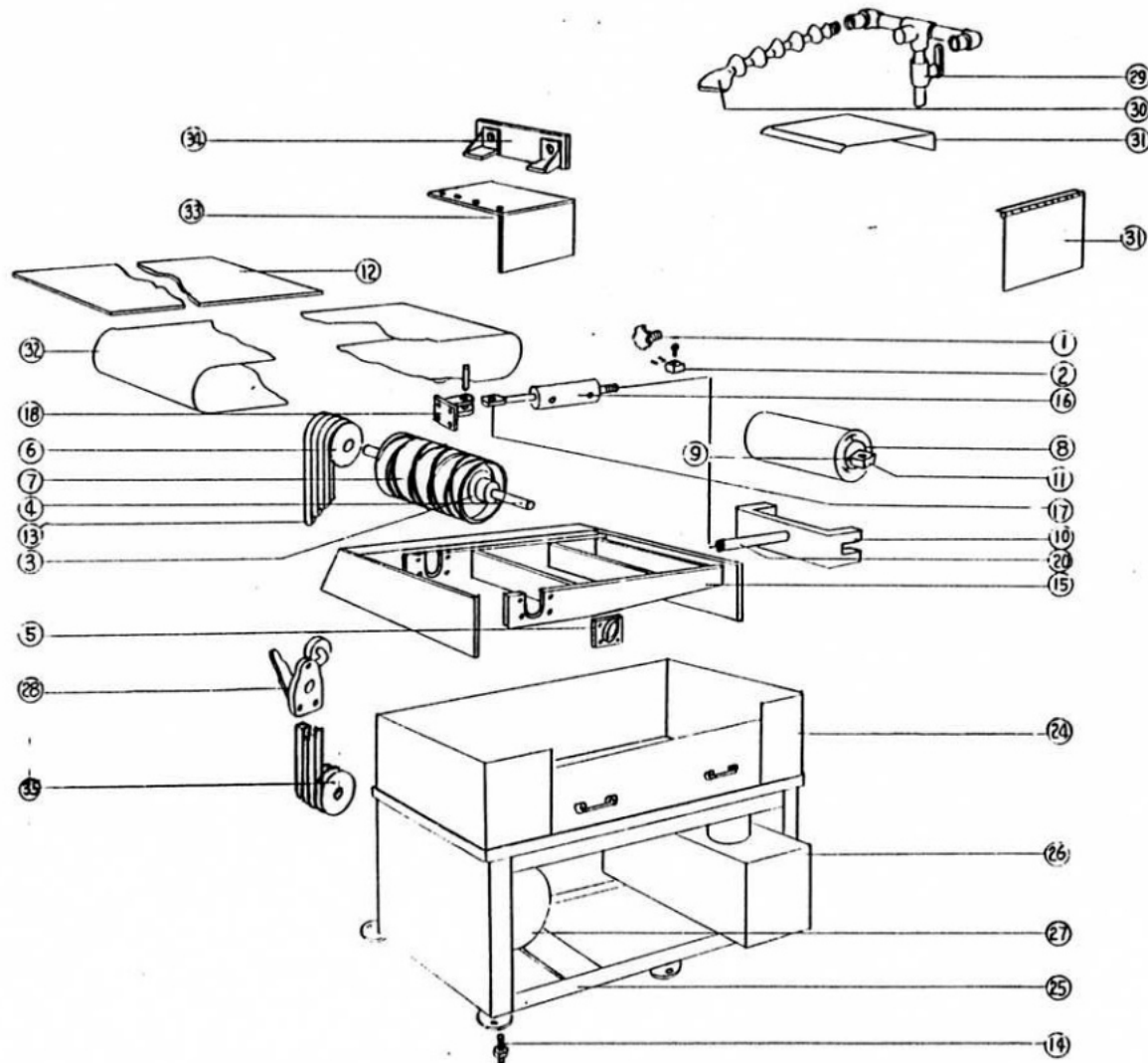
3450 RPM MOJOR - 4,000 SFPM

WORKING HIGH(floor to platen) 34"

MDL.No. S14 HW

KI **KALAMAZOO**
INDUSTRIES, INC.

6856 East K Avenue
Kalamazoo, MI 49048
269-382-2050 PH
269-382-0790 FAX
www.kalamazooindustries.com



Emergency Stop Push Button
25gal. Coolant Tank
Pump Motor 1/2Hp 3Ph
Air Tension On Belt 45lbs

No.	Part No.	Description	QTY
1	441-006	Tracking Knob	2
2	053-009	Adjusting Blocks	2
3	049-011	Sleeve Bushings	2
4	701-038	Drive Spindle	1
5	044-013	Bearing Flange	2
6	560-058	Spindle Pulley	1
	049-023	Spindle Pulley Bushing	1
7	560-041	Drive Pulley	1
8	560-028	Idler Pulley	1
9	049-011	Flange Bearing	2
10	960-009	Idler Yoke	1
11	701-030	Idler Spindle	1
12	563-006	Platen	1
13	051-017	V-Belts	4
14	696-018	Leveling Screws	6
15	291-010	Weldment Frame	1
16	131-013	Tension Cylinder	1
17			
18	131-018	Clevis Bracket	1
19			
20	700-010	Idler Yoke Post	1
21			
22			
23			
24			
25	716-008	Stand	1
26	T-10-CB	Pump & Tank	1
27	486-009	20Hp 3Ph Motor	1
28	912-027	Air gage	1
29	389-010	Coolant Hose Assembly	1
30		Nozel Assembly	1
31		Idler Pulley Guard	1
32		14" x 103" Belt	1
33		Drive Pulley Guard	1
34		Work Stop	1
35	560-058	Motor Pulley	1
	049-053	Motor Pulley Bushing	1

QTY 1 641-021 Air Reg. (Not shown)

QTY 1 18-013-212 (Not Shown)

SCALE:	APPROVED BY:	DRAWN BY: <i>CN</i>
DATE: <i>6-18-90</i>		REVISED
		DRAWING NUMBER