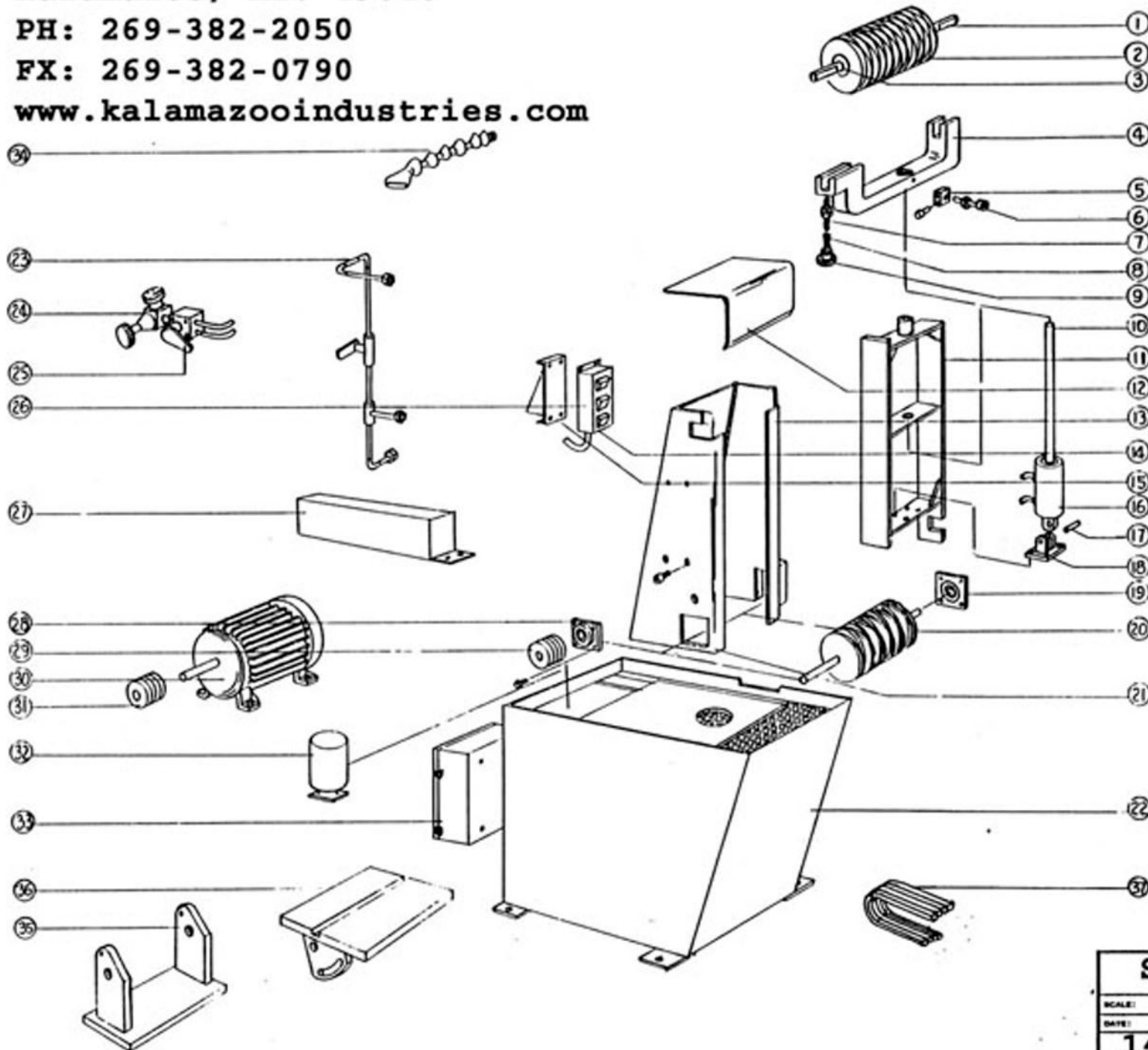


Kalamazoo Industries, Inc.
 6856 East K Ave.
 Kalamazoo, Mi. 49048
 PH: 269-382-2050
 FX: 269-382-0790
 www.kalamazooindustries.com



ITEM	PN NUMBER	DESCRIPTION	QTY
1	701-030	SPINDLE IDLER	1
2	560-028	PULLEY IDLER	1
3	044-014	Bearings	2
4	960-009	YOKE IDLER	1
5	053-009	BLOCK Adj.	1
6		3/16-18 Adj. Scr.	1
7	441-016	KNOB TRACKING	1
8	1
9	1
10		POST IDLER YOKE	1
11	291-010	FRAME WELDMENT	1
12		GUARD IDLER PULLEY	1
13	DOOR	FRAME HOUSING	1
14		CONTROL JOG	1
15	041-031	BRACKET CONTROL	1
16	131-013	CYLINDER TENSION	1
17		CYLINDER PIN	1
18	134-565	BRKT. CYLINDER MTG	1
19	044-013	BEARING FLANGE	2
20	560-041	PULLEY CRIVE	1
21	291-026	FRAME HOUSING	1
22		CABINET BASE	1
23		COOLANT LINE ASSY	1
24	1000-37	AIR REG ASSY.	1
25	1912-014	AIR VALVE	1
26		SWITCH ASSY	1
27		BELT GUARD	1
28	Same as 19	BEARING FLANGE	2
29	049-069	CRIVE PULLEY	1
30	486-038	MOTOR 20 HP	1
31	049-069	PULLEY MOTOR	1
32	577-002	PUMP COOLANT	1
33		ELECTRICAL BOX	1
34	1000-38	COOLANT HOSE	2
35	711-013	BRKT. TABLE SUPPORT	1
36	809-023	TABLE	1
37	051-010	BELT DRIVE	4
38			
39			
40			

S14D, S14W

SCALE:	APPROVED BY:	DRAWN BY: C.N.
DATE:		REVISED:
14" x 103" belt		
DRAWING NUMBER		