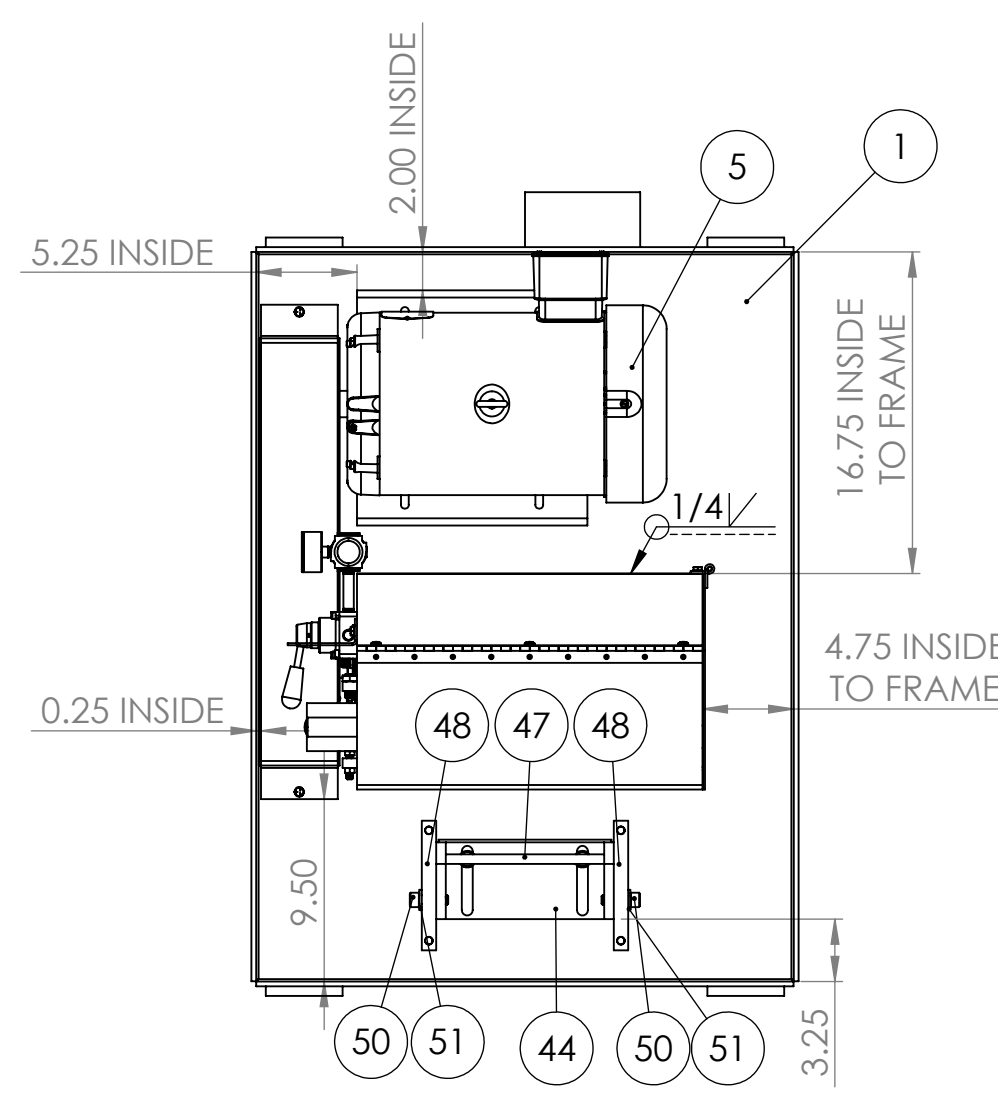
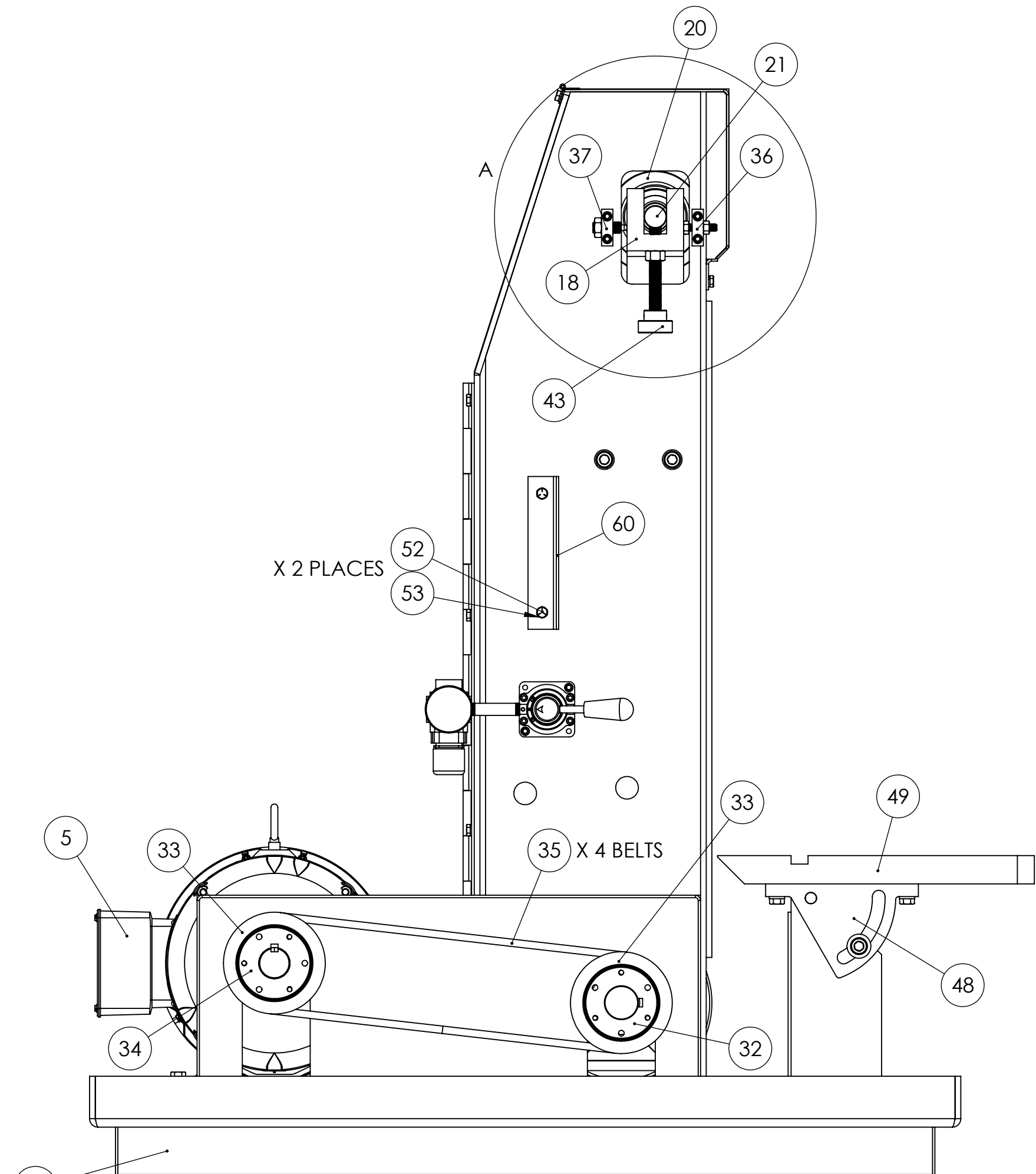
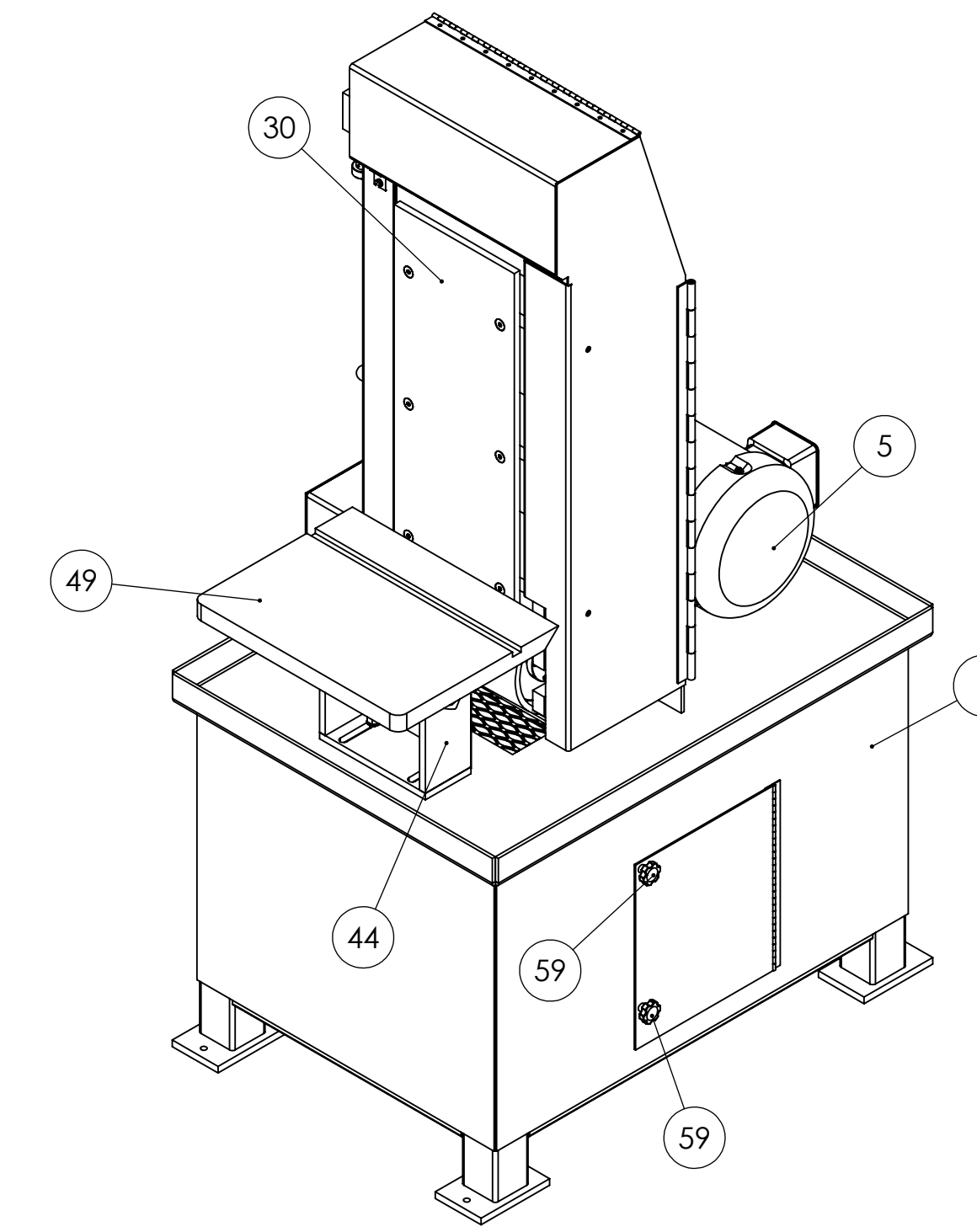


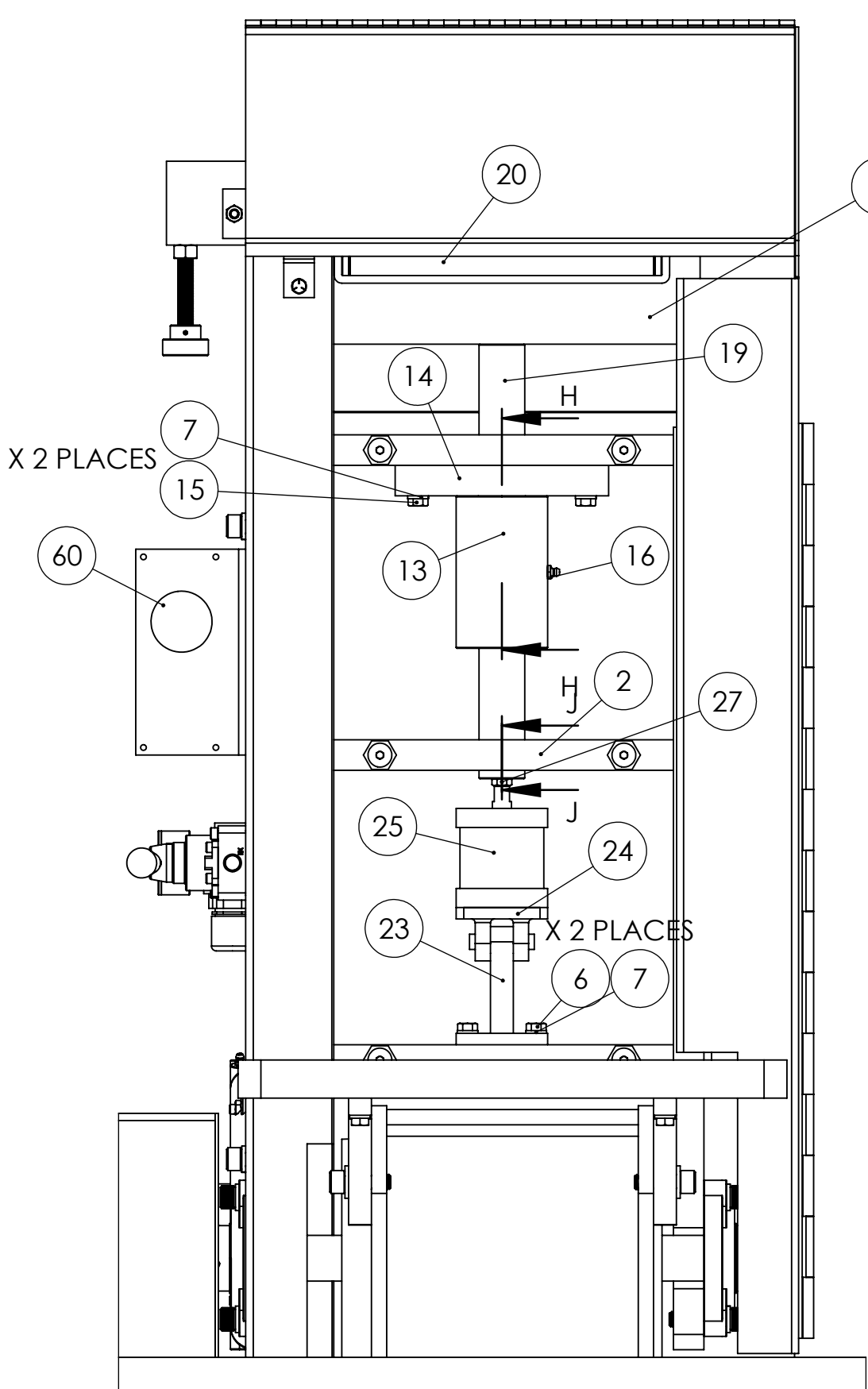
DETAIL A
TRACKING DETAILS
SCALE 1:2



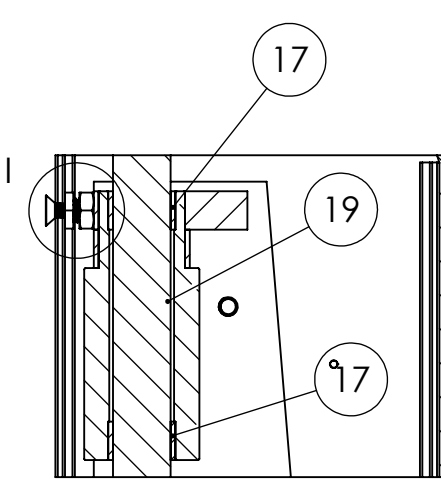
FLOOR PAN, MAIN FRAME
AND MOTOR MOUNT WELDING
LAYOUT



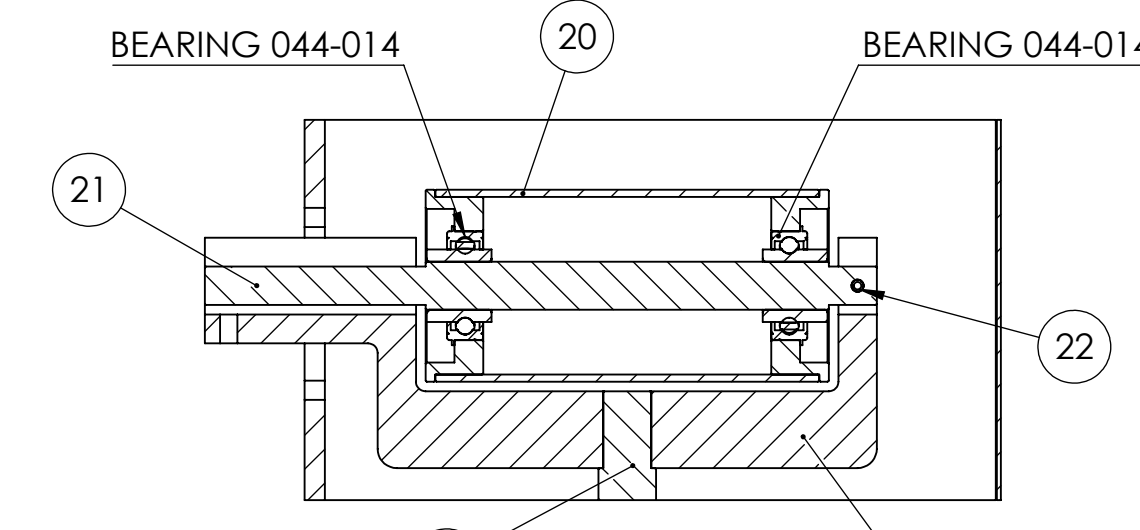
INTERIOR VIEW OF
BELTS AND PULLEYS



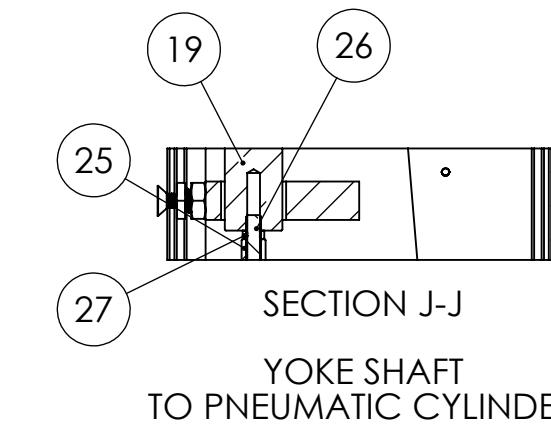
INTERIOR FRONT VIEW
OF MAIN FRAME



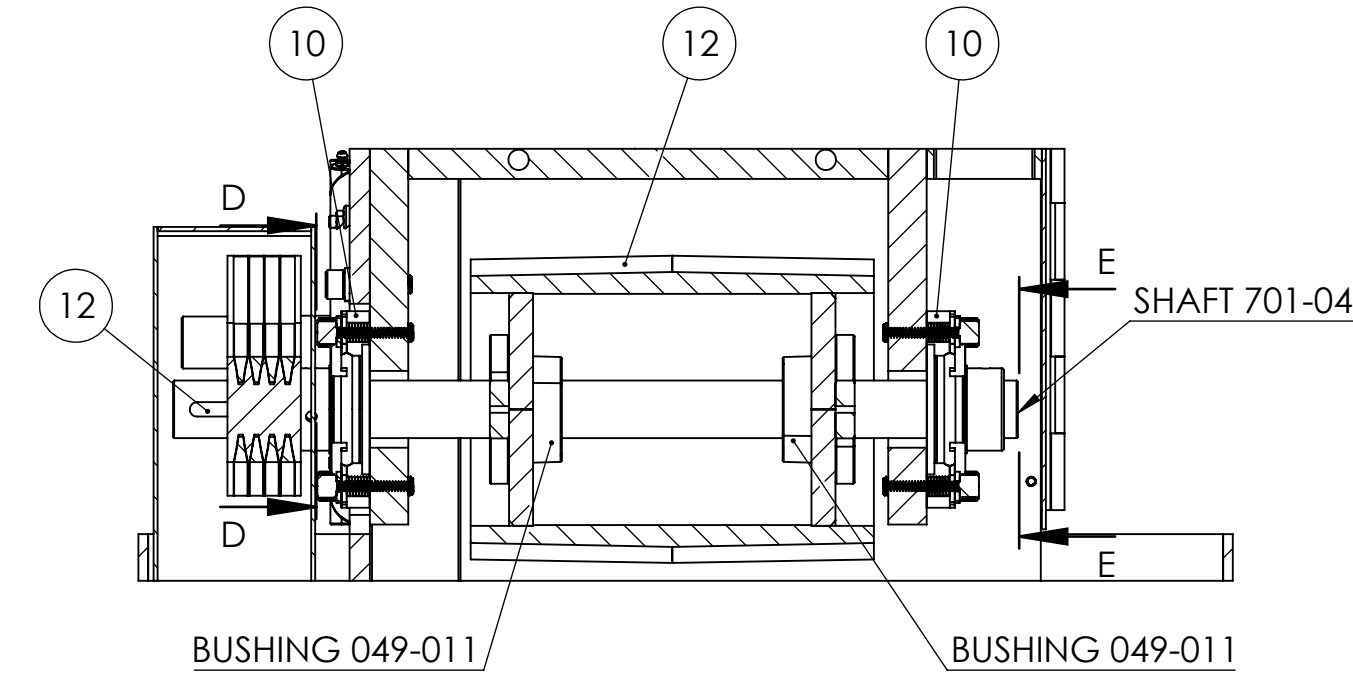
SECTION H-H
INTERNAL OF
YOKE SHAFT SLEEVE



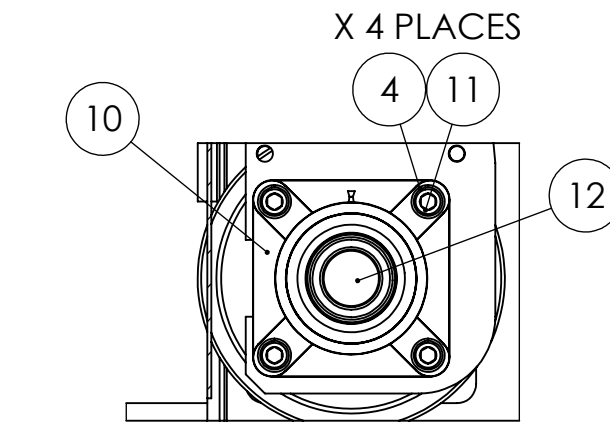
SECTION C-C
IDLER PULLEY DETAILS



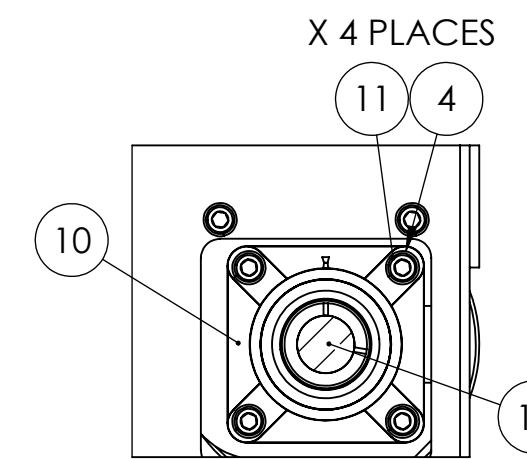
SECTION J-J
YOKE SHAFT
TO PNEUMATIC CYLINDER



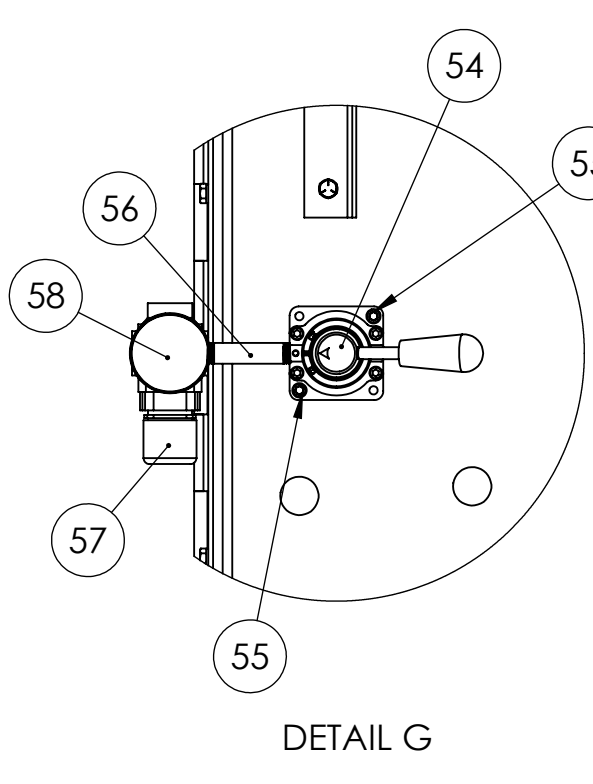
SECTION B-B
DRIVE PULLEY DETAILS



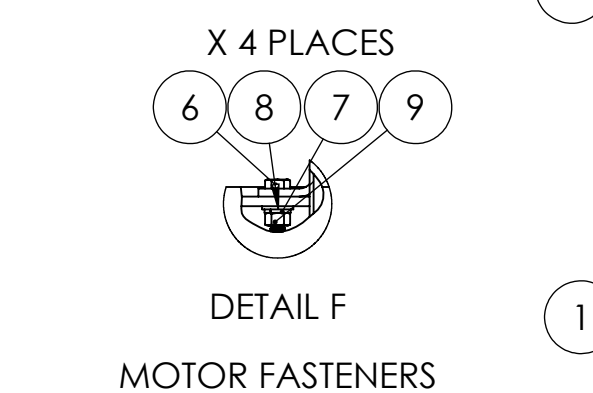
SECTION E-E
ATTACHMENT OF
BEARING



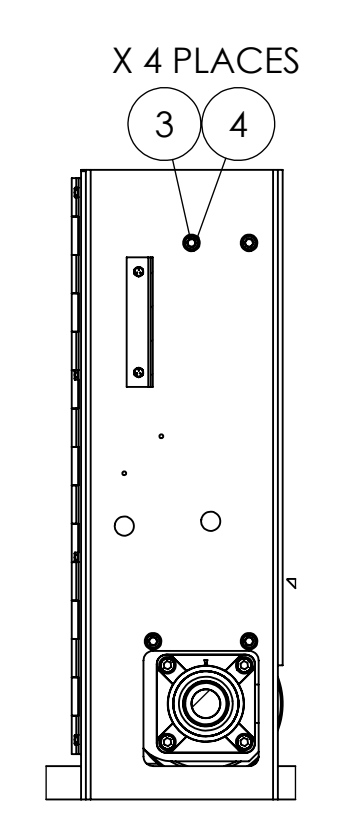
SECTION D-D
ATTACHMENT OF
BEARING



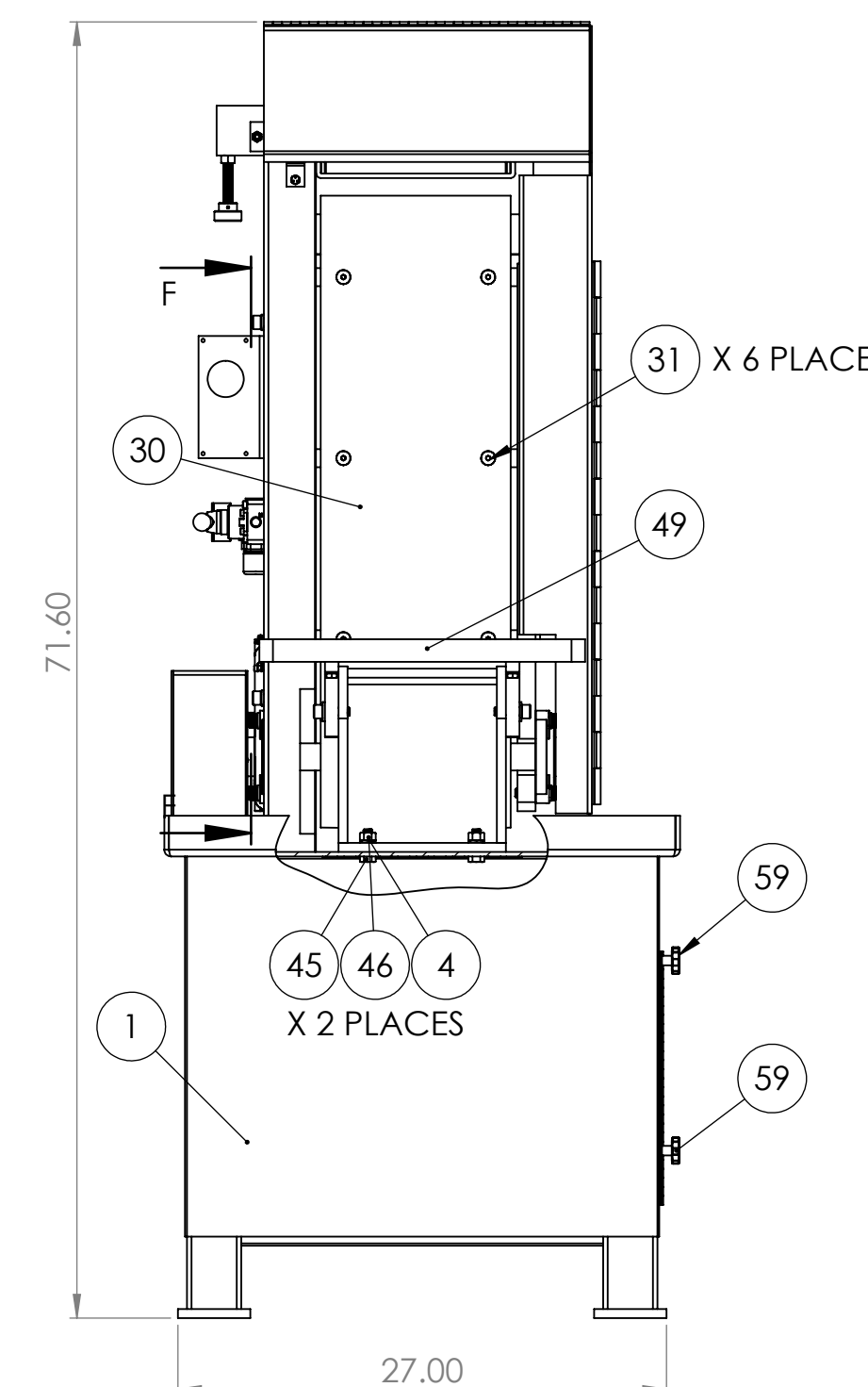
DETAIL G



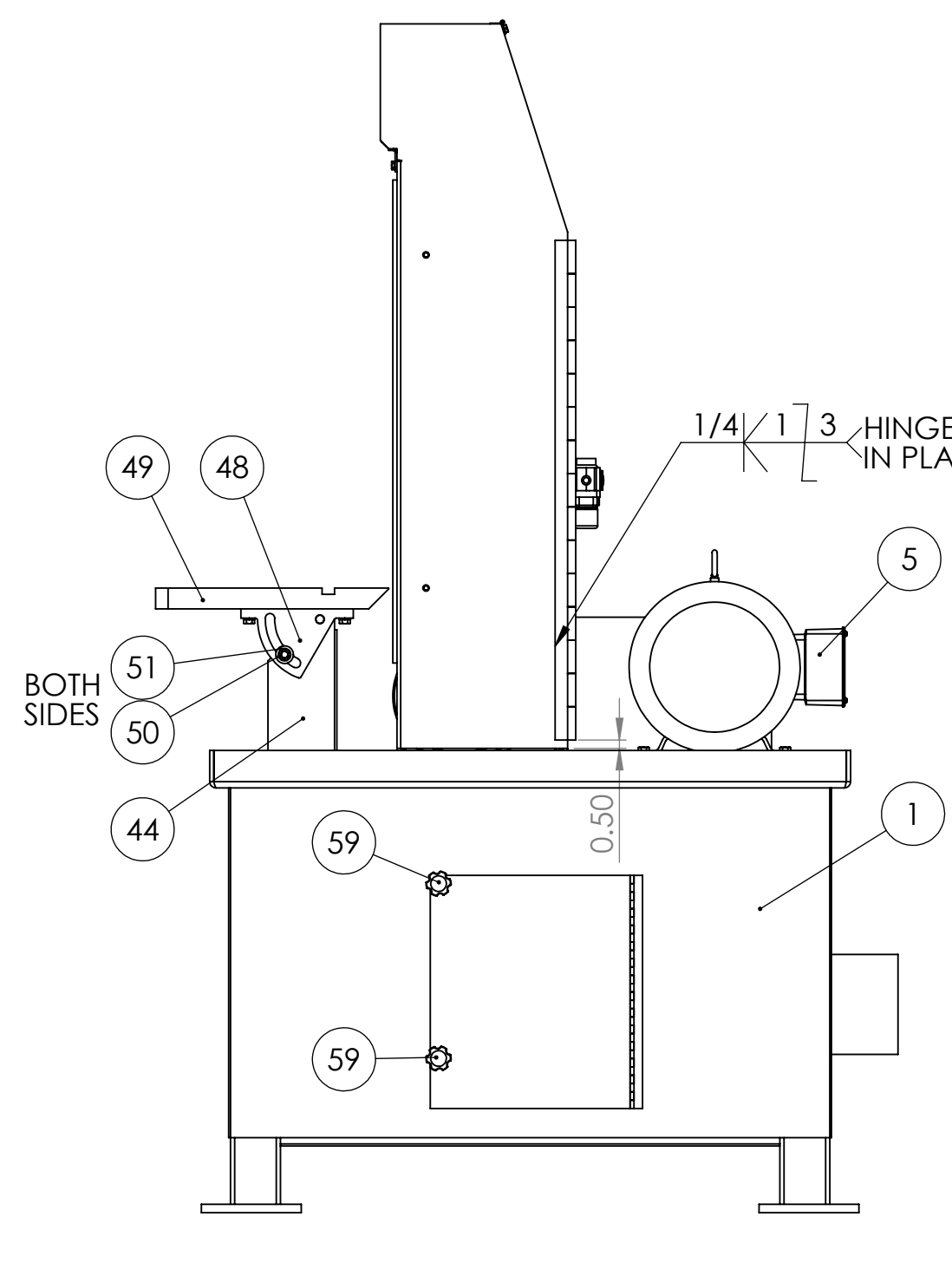
DETAIL F
MOTOR FASTENERS



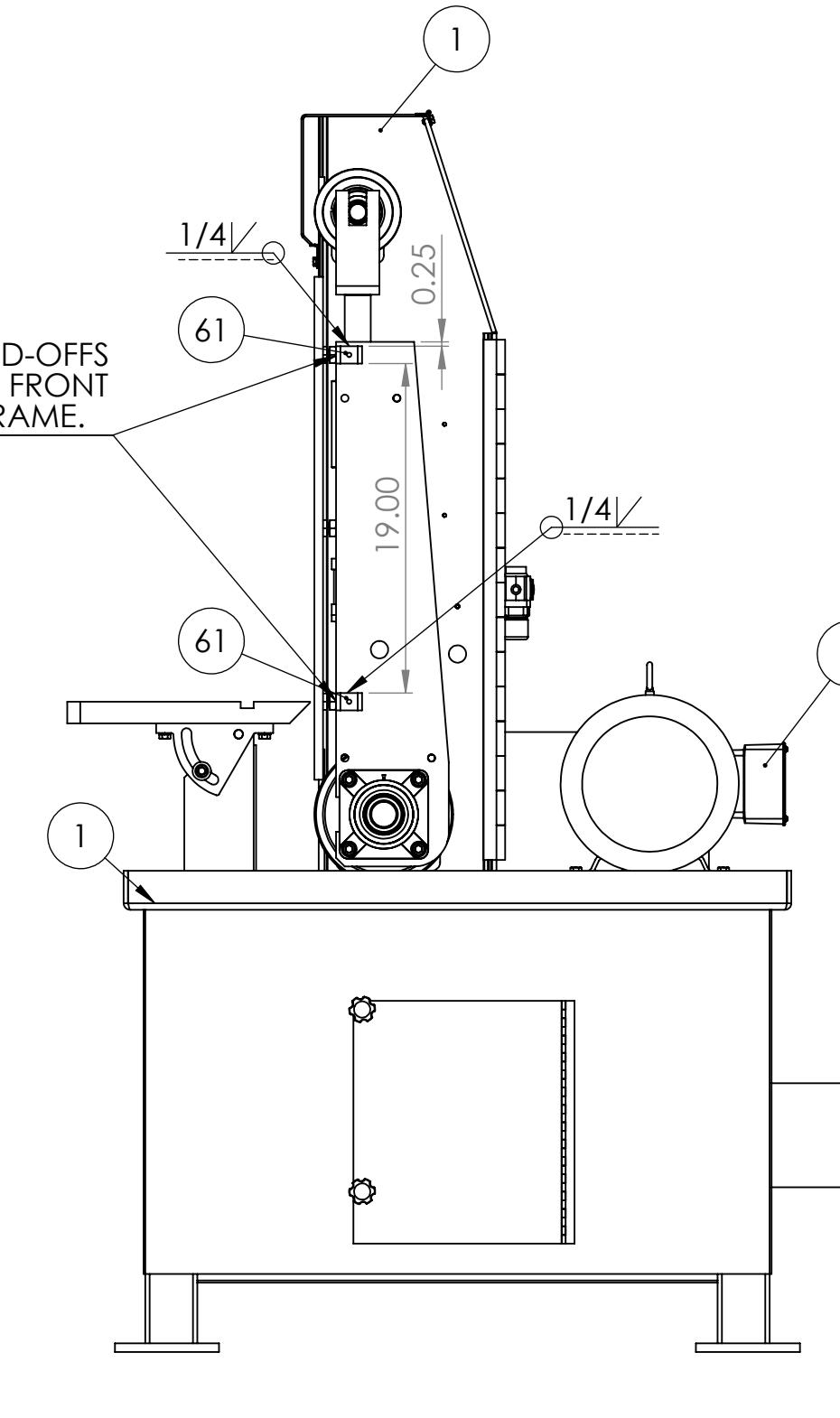
SECTION F-F
SCALE 1:10
ATTACH MAIN FRAME
TO CHANNEL FRAME SUPPORT



FRONT VIEW



RIGHT SIDE VIEW



WELDING
FRAME STAND-OFFS

ITEM NO.	PART NUMBER	DESCRIPTION	QTY.
1	716-005	STAND, FOR S10D SANDER	1
2	291-032	MAIN FRAME FOR S10D SANDER	1
3	SHCA050028	1/2-13 X 1-3/4 SHCS	4
4	SLW2050	1/2 SPLIT L/W Z	14
5	486-040	10HP MOTOR FOR S10 SANDERS	1
6	HHC5037020	3/8-16 X 1-1/4 HHC5 GR5 Z	10
7	SLW2037	3/8 SPLIT L/W Z	12
8	UFW2037	3/8 USS F/W Z	4
9	FHN5037	3/8-16 FHN GR5 Z	4
10	044-013	4 BOLT FLANGE BRG 1-1/2 IN FOR S10, S14 DRIVE PULLEY	2
11	SHCA050032	1/2-13 X 2 SHCS	8
12	560-055	DRIVE PULLEY ASSEMBLY FOR S10 SANDERS	1
13	714-005	SLEEVE, YOKE SHAFT FOR S10, S14	1
14	556-047	PLATE, SLEEVE BUSHING FOR S10 AND S14	1
15	HHC5037032	3/8-16 X 2 HHC5 GR5 Z	2
16	ZERK012000	1/8-27 X 1 1/16 STRT LUBE FITTING	1
17	RLB AA-1704-15	AA-1704-15 BRONZE BUSHING 1-1/2 X 1-3/4 X 1	2
18	960-018	YOKE FOR S10 SANDERS	1
19	700-031	SHAFT, YOKE FOR S10 SANDERS	1
20	560-054	IDLER PULLEY W BEARINGS FOR S10 SANDERS	1
21	701-042	SPINDLE, IDLER FOR S10 SANDERS	1
22	ROLA031040	5/16 X 2 1/2 ROLL PIN	1
23	041-119	T-BRACKET, FOR CYLINDER PIVOT ON S10D	1
24	151-003	CLEVIS, AIR CYLINDER FOR S10 SANDER	1
25	131-010	CYLINDER FOR S8, S10 SANDERS	1
26	709-010A	3/8-24 X 1-1/4 STUD FOR S8D SANDERS	1
27	FJNZ038	3/8-24 F H JAM NUT	1
28	696-018	SCREW, LEVELING FOR S14 SANDERS	6
29	FJNZ062	5/8-11 F H JAM NUT Z	6
30	563-025	PLATEN FOR S10D SANDERS	1
31	FSCA037016	3/8-16 X 1 FSHCS	6
32	049-069	MOTOR AND SPINDLE PULLEY BUSHING FOR S10 AND S14 SANDERS	1
33	560-058	SPINDLE PULLEY SHEAVE FOR K20SF-20HP AND KM20-22/20HP, MOTOR AND SPINDLE PULLEY SHEAVE FOR S10 AND S14 SANDERS	2
34	049-003	MOTOR PULLEY BUSHING FOR K16-18, KM16-18, K20SF-15, K20RS-15, K20SW-15, KM20-22-15HP, KM20-22W-15 FOR K16-18, KM16-18, K20SF-15, K20RS-15, K20SW-15, KM20-22-15HP, KM20-22W-15	1
35	051-010	V-BELT FOR S10D AND S10W	4
36	053-009	TRACKING BLOCK- 5/16 THREADED HOLE	1
37	053-009B	TRACKING BLOCK 1/2-13 THREADED HOLE	1
38	SHCA025016	1/4-20 X 1 SHCS	4
39	HHC5031020	5/16-18 X 1-1/4 HHC5 GR 5 Z	1
40	FHN5031	5/16-18 FHN GR5 ZINC	1
41	SPPA050020	1/2-13 X 1-1/4 SPRING PLUNGER W BROWN DELRIN NOSE ALLOY	1
42	FJNZ050	1/2-13 F H JAM NUT Z	1
43	441-016ASSY	TRACKING KNOB ASSEMBLY FOR S8 AND S10 SANDERS	1
44	711-013	SUPPORT, TABLE S10 AND S14 SANDERS	1
45	HHC5050024	1/2-13 X 1-1/2 HEX HEAD CAP SCREW	2
46	FHN5050	1/2-13 FHN GR5 Z	2
47	RND-0.5CFX1018X10.75	10-3/4 INCHES OF 1/2 RND CRS C1018	1
48	831-014	TRUNNION, TABLE FOR S14 SANDERS	2
49	829-023	TABLE, WORK FOR S10 AND S14 SANDERS	1
50	SHCA050024	1/2-13 X 1-1/2 SHCS	2
51	UFW2050	1/2 USS F/W Z	2
52	HHC5025008	1/4-20 X 1/2 HHC5 GR5 Z	2
53	SLW2025	1/4 SPLIT L/W Z	2
54	912-014	3P ROTARY HAND VALVE	1
55	SHCA025024	1/4-20 X 1-1/2 SHCS	2
56	02530040BLN	02530040BLN 1/4 X 3 BLACK PIPE NIPPLE	1
57	R72G2AKRMM	R72G2AKRMM 1/4" REGULATOR	1
58	18-013-212	18-013-212 1.5- 1/8 CBM-O-160	1
59	441-015	907B-2500-1.00S 1/4 THUMBSCREW 1-1/2 DIA	2
60	041-112	SWITCH BRACKET FOR E2PB BUTTON ENCLOSURE	1
61	S10-S14FRAMESTANDOFF	FRAME STAND-OFF FOR S10 AND S14 SANDERS	2

DRIVE PULLEY 560-055 INCLUDES:

- (1) SHAFT 701-043
- (2) BUSHING 049-011

IDLER PULLEY 560-054 INCLUDES:

- (2) BEARING 044-014

UNLESS OTHERWISE SPECIFIED:	UNITS	NAME	DATE
DIMENSIONS ARE IN INCHES	FRONT VIEW		
ANGULAR DIMENSIONS ARE IN DEGREES	RIGHT SIDE VIEW		
PROFILING DIMENSIONS ARE IN THIRDS OF AN INCH	FRONT VIEW		
THREE PLACE DECIMAL	RIGHT SIDE VIEW		
INTERFERE GEOMETRIC TOLERANCES PER ASME Y14.5	FRONT VIEW		
DO NOT SCALE DRAWING	RIGHT SIDE VIEW		

KALAMAZOO
10" DRY VERTICAL SANDER
SCALE: 1:5 WEIGHT: SHEET 1 OF 1