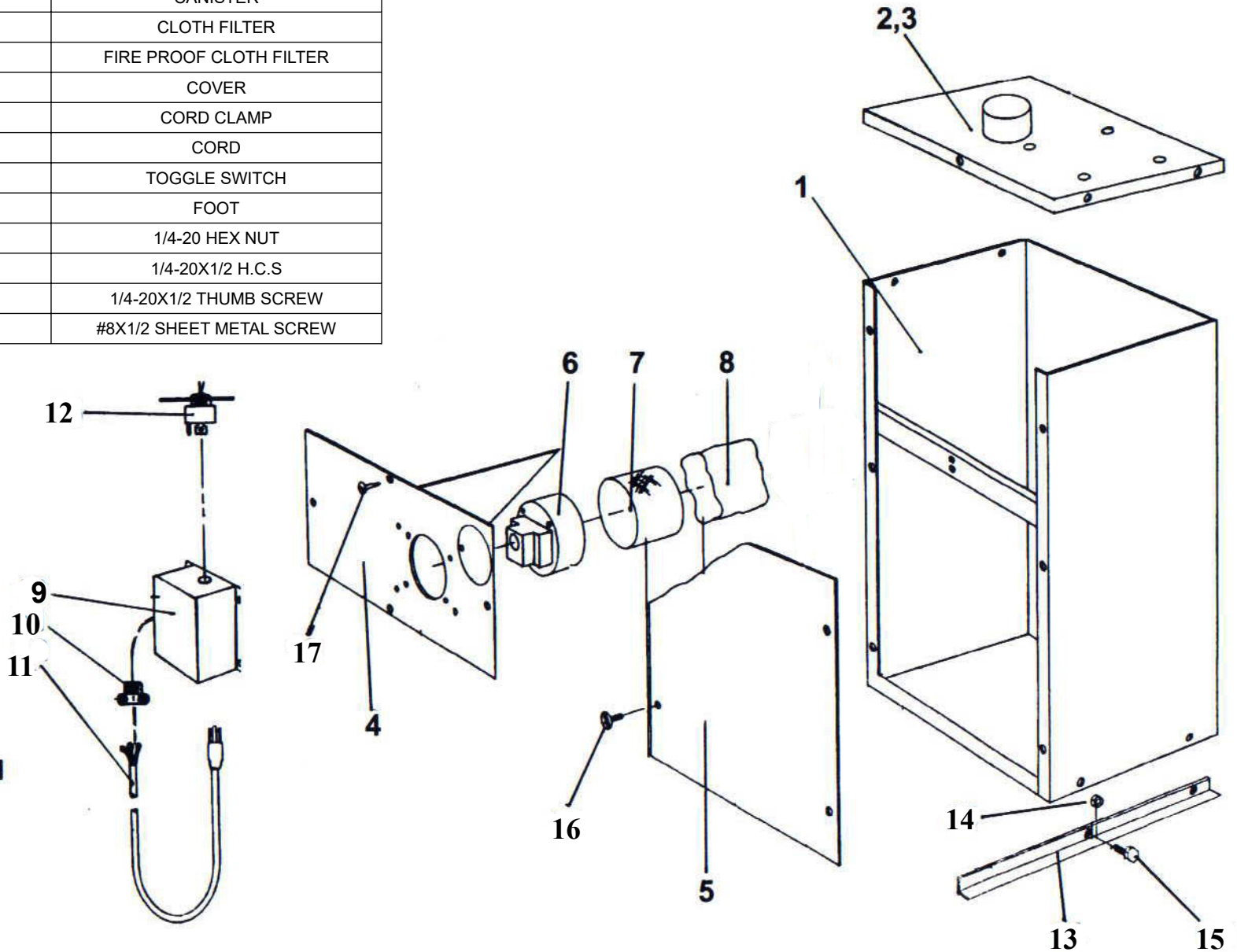


Item	Part Number	Description
1	-	Vacuum Cabinet
2	833-001	S4S TOP
3	833-002	DS10 TOP
4	-	MOUNTING PANEL
5	-	DOOR
6	486-005	VACUUM MOTOR
7	120-001	CANISTER
8	5X878	CLOTH FILTER
8	5X878FP	FIRE PROOF CLOTH FILTER
9	122-001	COVER
10	146-003	CORD CLAMP
11	157-001	CORD
12	710-007	TOGGLE SWITCH
13	-	FOOT
14	-	1/4-20 HEX NUT
15	-	1/4-20X1/2 H.C.S
16	-	1/4-20X1/2 THUMB SCREW
17	-	#8X1/2 SHEET METAL SCREW

KI KALAMAZOO INDUSTRIES, INC.

6856 E K AVE KALAMAZOO, MI 49048
(269) 382-2050 PHONE (269) 382-0790 FAX
www.kalamazooind.com



MODEL DCV-4

DIMENSIONS:
12"L x 16"W x 32"H