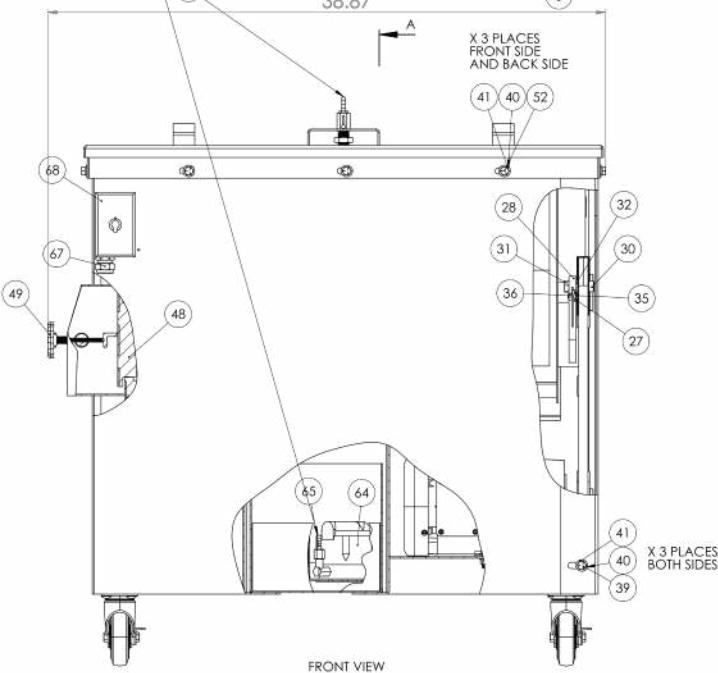


60 INCHES OF HOSE
K3150-04

INTERIOR FROM RIGHT SIDE



FRONT VIEW

ITEM NO.	PART NUMBER	DESCRIPTION	QTY.
1	124-007	CABINET FOR KVF3	1
2	120-002	4"X1-1/4" HARD RUBBER SWIVEL CASTER WITH BRAKE, NO BEARING	2
3	120-003	4"X1-1/4" HARD RUBBER SWIVEL CASTER NO BRAKE, NO BEARING	2
4	CRBZ031020	5/16-18 X 1-1/4 CARRIAGE BOLT Z	1
5	NYNZ031	5/16-18 NYLON LOCKING NUT	13
6	CRBZ031016	5/16-18 X 1 CARRIAGE BOLTS Z	12
7	697-029B	TALL SPRING PAD FOR KVF3	8
8	697-030	SPRING FOR KVF3 FINISHER	8
9	BSCA037028	3/8-16 X 1-3/4 BUTTON SOCKET CAP SCREW	16
10	NYNZ037	3/8-16 NYLOCK Z NUT	16
11	697-029A	SHORT SPRING PAD FOR KVF3	8
12	456-002	33-3/4 X 13-1/4 OF INSULATION OL471001/2	1
13	456-002	33-3/4 X 13-1/4 OF INSULATION OL471001/2	1
14	456-002	26-5/8 X 17 OF INSULATION OL471001/2	1
15	486-013	1HP, 1PH, 1725RPM, 60HTZ, 56F, 115/230 FOR DS12 AND KVF3	1
16	HHC5031016	5/16-18 X 1 HHCS GR5 Z	4
17	UFWZ031	5/16 USS F/W Z	9
18	SLWZ031	5/16 SPLIT L/W Z	5
19	FHN5031	5/16-18 FHN GR5 ZINC	5
20	835-007	KVFB 2.5 TUB LINED W 80 DURO URATHANE, DRAIN, AND UNLOAD DOORS	1
21	044-031		2
22	HHC5050032	1/2-13 X 2 HHCS GR5 Z	4
23	UFWZ050	1/2 USS F/W Z	4
24	SLWZ050	1/2 SPLIT L/W Z	4
25	703-001	KVF3 DRIVE SHAFT ASSEMBLY	1
26	041-097	IDLER TENSION POST FOR KVF3	1
27	041-098	KVF3 IDLER TENSIONER ADJUSTOR TAB	1
28	041-099	IDLER PULLEY MOUNTING BRACKET FOR KVF3	1
29	560-093	PMI 35400063 4 X 5/8 V-BELT IDLER PULLEY FOR KVF3	1
30	SHCA050024	1/2-13 X 1-1/2 SHCS	1
31	FJNZ050	1/2-13 F H JAM NUT Z	1
32	SPACER	1/4 INCH OF 1/2 SCH 40 PIPE	1
33	88588884	5/16-18 X 3-1/8 ZINC GIBRALTAR EYEBOLT	1
34	FJNZ031	5/16-18 F H JAM NUT Z	1
35	HHC5025008	1/4-20 X 1/2 HHCS GR5 Z	1
36	FHN5025	1/4-20 FHN GR5 Z	1
37	041-097A	BRACKET FOR IDLER TENSION POST FOR KVF3	1
38	HHC5031012	5/16-18 X 3/4 HHCS GR5 Z	1
39	HHC5037012	3/8-16 X 3/4 HHCS GR5 Z	7
40	SLWZ037	3/8 SPLIT L/W Z	16
41	UFWZ037	3/8 USS F/W Z	15
42	HHC5037020	3/8-16 X 1-1/4 HHCS GR5 Z	1
43	560-092	BK52H SPINDLE AND MOTOR SHEAVE FOR KVF3	2
44	049-008	H X 5/8 SPLIT TAPER BUSHING FOR KVF3 MOTOR PULLEY	1
45	049-009	H X 1-7/19 SPLIT TAPER BUSHING FOR KVF3 SPINDLE SHEAVE	1
46	051-026	B60 HY-T BELT FOR KVF-3	1
47	568-003	DRAIN PLUG FOR KVF3 PL-200-001	1
48	835-007A	KVF3 TUB PLUG	1
49	053-133	UNLOADER DOOR LOCK ASSEMBLY FOR KVF3	1
50	124-007-ACCESS PANEL	KVF3 CABINET R.H. ACCESS PANEL	1
51	124-007-TOP DECK	KVF3 CABINET TOP DECK	1
52	HHC5037016	3/8-16 X 1 HHCS GR5 Z	8
53	456-002-D	34-1/4 X 8-1/2 OF INSULATION OL471001/2	1
54	W05465	W05465 AIR BRAKE BULKHEAD COUPLING 1/4	1
55	TB3703	TB 3703 1 X 1/2 REDUCING WASHER	2
56	3400X4	3400X4 BRASS STEEL ELBOW	1
57	02560040BLN	02560040BLN 1/4 X 6 LONG BLACK NIPPLE	1
58	3300X4	3300X4 BRASS PIPE COUPLING	1
59	1-4K-22	1/4K-22 SY BRASS FOG NOZZLE FOR KVF3	1
60	S35BZ0	S35BZ0 MINIATURE BALL VALVE 1/4 M X F	1
61	BN22	BN22 DX HOSE BARB 1/4H X 1/4 MNPT	1
62	716-013	COOLANT TANK FOR KVF3	1
63	716-013A	KVF3 COOLANT TANK PUMP STAND	1
64	486-050	SUBMERSIBLE PUMP FOR KVF3 S45WB1P939-0	1
65	BF22	BF22 HOSE BARB 1/4H X 1/4 FP	1
66	REDIHD41	R-DOT IHD4-1 1G RT BOX W/4 1/2" HUBS	1
67	TB2524	TB2524 1/2-.500-.625 CORD CONNECTOR- STRAIGHT	1
68	710-001	TORX C560MH 60 MIN TW TIMER W/WLPLT FOR KVF3	1