

# **KI KALAMAZOO Industries Inc.**

6856 East K Ave - Kalamazoo, MI 49048-6042  
www.kalamazooind.com

## **OPERATING INSTRUCTIONS AND PARTS MANUAL**

### **KVF3 INDUSTRIAL VIBRATORY FINISHER**



#### **CONTACT INFORMATION**

PHONE: (269) 382-2050

FAX: (269) 382-2050

www.kalamazooind.com

**PART NUMBER: KVF3**



**MADE IN USA!**

# EQUIPMENT WARRANTY AND RETURN POLICY

## WARRANTY

All products are guaranteed for a period of one year from receipt of equipment to the original purchaser, against defects in material or workmanship, under normal use.

### ELECTRICAL COMPONENT WARRANTY

All products are guaranteed for a period of one year from receipt of equipment to the original purchaser, against defects in material or workmanship, under normal use.

If equipment is wired incorrectly by the user and is destroyed the warranty for that electrical component is **VOID.**

### ELECTRIC MOTOR WARRANTY

Electric motors are warranted by the manufacturer and will be repaired by the nearest repair station or and or replaced. Defective motors are not to be returned to Kalamazoo Industries.

Written authorization must be obtained before returning merchandise.

## RETURN POLICY

- Authorization must be obtained before turning merchandise. Please call our Customer Service Department to receive a return authorization number (269) 382-2050. Without that authorization number credit won't be issued.
- Please include with your return a copy of your original purchase invoice and or packing slip and authorization number.
- Materials must be sent back prepaid. Equipment sent back collect will be denied and sent back to shippers location.
- All returns will be subject to a 10% restock fee.
- No return will be accepted after one year of invoice date.

## CONTACT INFORMATION

KALAMAZOO INDUSTRIES, INC.

6856 East K Avenue

PHONE: (269) 382-2050

FAX: (269) 382-0790

[www.kalamazooind.com](http://www.kalamazooind.com)



# VIBRATORY FINISHER SAFETY AND OPERATING INSTRUCTIONS

- READ THE OPERATING INSTRUCTIONS BEFORE RUNNING MACHINE.
- ALWAYS WEAR SAFETY GLASSES OR A FULL FACE SHIELD FOR PROTECTION.
- KEEP HANDS CLEAR FROM ALL MOVING PARTS.
- NEVER WEAR GLOVES OR LOOSE FITTING CLOTHES WHEN OPERATING THIS MACHINE.
- ALWAYS KEEP HAIR TIED BACK OR COVERED.
- KEEP SAFETY GUARDS IN PLACE. DO NOT ALTER GUARD OR MACHINE IN ANY WAY. ANY ALTERNATIONS TO GUARDS OR MACHINE COULD CAUSE SERIOUS INJURY.
- FOLLOW ALL INSTRUCTIONS REGARDING COOLANT MIXTURE.
- DISCONNECT POWER WHILE SERVICE THE MACHINE.

- MODEL KVF3 VIBRATORY FINISHER. 3.3 CUBIC FEET. TUB WEIGHT LIMIT 500 LBS.
- SHIPPING LOCKS: LOCATED INSIDE TUBE ON EACH SIDE. REMOVE BEFORE OPERATING UNIT.
- FLEXIBLE COOLANT NOZZLE: DELIVERS COOLANT LUBRICATION TO MEDIA. KEEP NOZZLE END CLEANED OUT FOR GOOD COOLANT FLOW.
- VIBRATORY TUB- CAST URETHANE HOLDS MEDIA FOR: DEBURRING, POLISHING, DRYING, etc. DRAIN PLUG IS LOCATED IN THE BOTTOM OF THE TUBE TO DRAIN COOLANT INTO THE COOLANT TANK. USE THE CORRECT COOLANT FOR THE JOB RECOMMENDED BY YOUR DEALER. MEDIA IS ALSO IMPORTANT DEPENDING ON THE JOB AND RESULTS REQUIRED. BE CAREFUL WITH STEEL SHOT MEDIA NOT TO OVERLOAD THE TUBE.
- TIMER SWITCH TURNS ON/OFF 115V VOLT AC POWER TO UNIT.
- DISCHARGE CHUTE- ALLOWS FOR EASY UN-LOADING OF MEDIA INTO A BUCKET. UNSCREW LOCKING KNOB AND REMOVE URETHANE PLUG. PLACE A BUCKET UNDER THE CHUTE AND TURN ON THE UNIT TO ALLOW THE MEDIA TO VIBRATE INTO THE BUCKET. YOU CAN UN-LOAD PARTS ALSO AT THE SAME TIME BUT IT'S BETTER TO UN-LOAD PARTS **BEFORE** REMOVING THE MEDIA. REPLACE URETHANE PLUG AND LOCKING KNOB/BAR TIGHTLY BEFORE USING UNIT AGAIN.
- LUBRICATION POINTS- LUBRICATE AFTER EVERY 8 HOURS OF USE WITH GREASE INTO THE BEARING ZERK FITTINGS LOCATED THROUGH THE ACCESS HOLES IN THE BACK OF THE UNIT. **TURN OFF UNIT BEFORE LUBRICATING. CAUTION- DO NOT REMOVE UNIT TOP COVER DANGEROUS ROTATING COUNTER WEIGHT CAN CAUSE SERIOUS INJURY.**
- COOLANT PUMP/COOLANT TANK- DELIVERS COOLANT TO THE VIBRATING TUB. **KEEP COOLANT TANK CLEAN!** MEDIA WILL DEGRADE AND BREAK DOWN AND COLLECT IN THE COOLANT TANK. **WITH POWER OFF** REMOVE THE PUMP FROM THE TANK, SLIDE OUT THE TANK AND CLEAN OUT. REPLACE THE PUMP INTO THE TANK AND SLIDE THE TANK UNDER THE UNIT BEFORE OPERATING.

# **KI KALAMAZOO Industries Inc.**

6856 East K Ave - Kalamazoo, MI 49048-6042  
www.kalamazooind.com

## **INDUSTRIAL VIBRATORY FINISHER OVERVIEW**

The KVF3 vibratory finisher is an industrial vibratory finisher that is designed to accommodate various media types and material types.

The media and parts rotate in a clockwise rotation in the urethane lined U-shaped tub.

The finisher cabinet is lined with insulation for quiet operation when the the machine lid is closed.

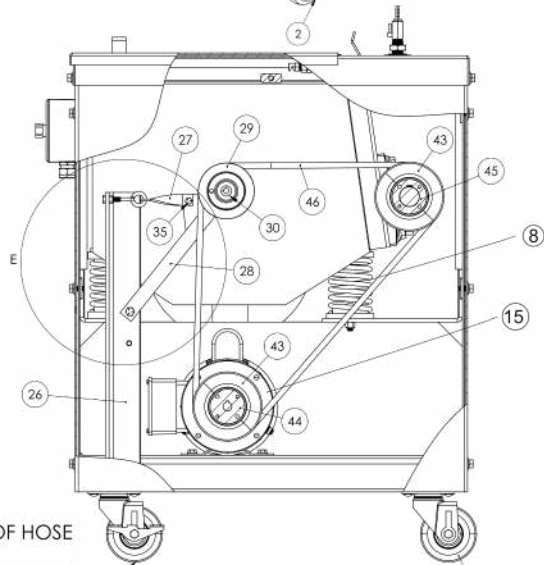
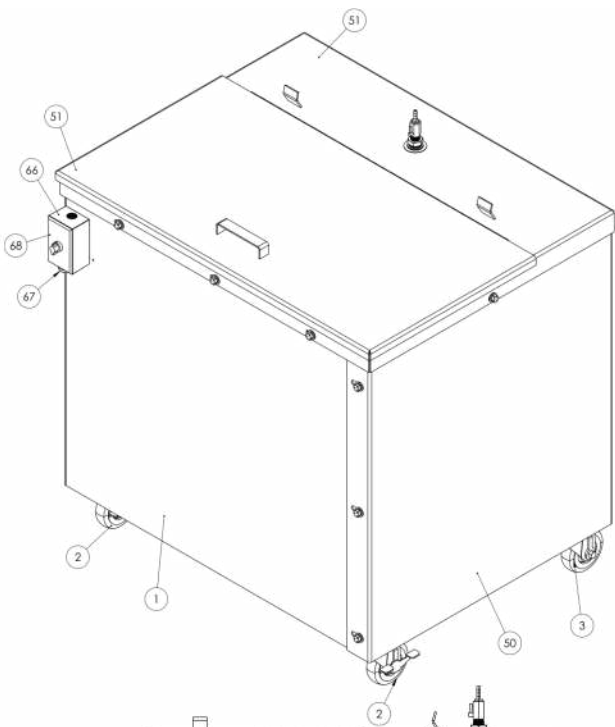
This machine is designed to handle a total weight (media and material) of 500lbs.

### **MACHINE SPECIFICATIONS**

- 1HP 1PH 115V.
- 1PH 115 FLA 12.8 AMPS.
- 3.3 CUBIC FOOT CAPACITY.
- PORTABLE WITH TWO LOCKING CASTERS.
- 60 MINUTE REPLACEABLE TIMER.
- REMOVABLE PLUG FOR EASY MEDIA REMOVAL.
- EASY TO LOAD AND UNLOAD MATERIAL.
- QUIET OPERATION (WHEN LID IS CLOSED).
- URETHANE LINED.
- **SHIPPING SIZE: L 48" X W 51" X H 53"**
- **TOTAL SHIPPING WEIGHT: 725 LBS.**

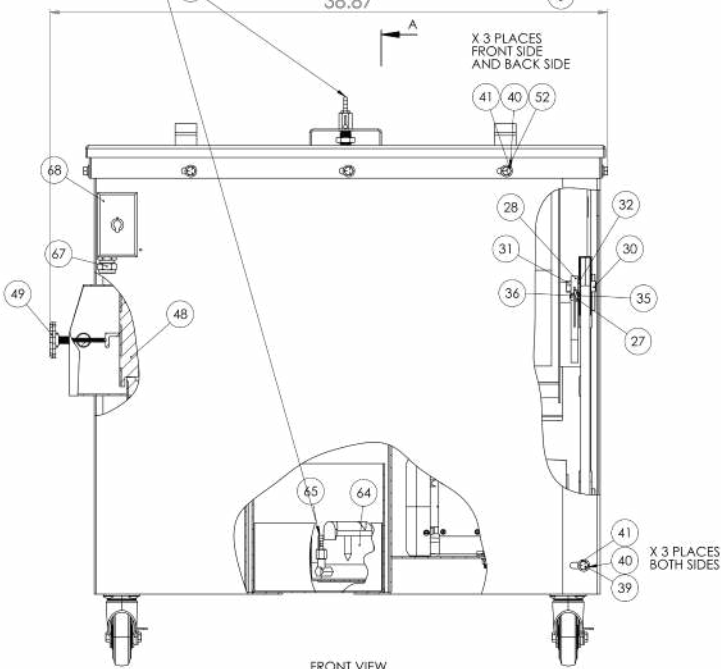


**PHONE: (269) 382-2050 FAX: (269) 382-0790**



60 INCHES OF HOSE  
K3150-04

INTERIOR FROM RIGHT SIDE  
38.87



FRONT VIEW

ITEM NO.	PART NUMBER	DESCRIPTION	QTY.
1	124-007	CABINET FOR KVF3	1
2	120-002	4"X1-1/4" HARD RUBBER SWIVEL CASTER WITH BRAKE, NO BEARING	2
3	120-003	4"X1-1/4" HARD RUBBER SWIVEL CASTER NO BRAKE, NO BEARING	2
4	CRB2031020	5/16-18 X 1-1/4 CARRIAGE BOLT Z	1
5	NYN2031	5/16-18 NYLON LOCKING NUT	13
6	CRB2031016	5/16-18 X 1 CARRIAGE BOLTS Z	12
7	697-029B	TALL SPRING PAD FOR KVF3	8
8	697-030	SPRING FOR KVF3 FINISHER	8
9	BSCA037028	3/8-16 X 1-3/4 BUTTON SOCKET CAP SCREW	16
10	NYN2037	3/8-16 NYLOCK Z NUT	16
11	697-029A	SHORT SPRING PAD FOR KVF3	8
12	456-002	33-3/4 X 13-1/4 OF INSULATION OL471001/2	1
13	456-002	33-3/4 X 13-1/4 OF INSULATION OL471001/2	1
14	456-002	26-5/8 X 17 OF INSULATION OL471001/2	1
15	486-013	1HP, 1PH, 1725RPM, 60HTZ, 56F, 115/230 FOR DS12 AND KVF3	1
16	HHC5031016	5/16-18 X 1 HHCS GR5 Z	4
17	UFW2031	5/16 USS F/W Z	9
18	SLW2031	5/16 SPLIT L/W Z	5
19	FHN5031	5/16-18 FHN GR5 ZINC	5
20	835-007	KVF3 2.5 TUB LINED W 80 DURO URATHANE, DRAIN, AND UNLOAD DOORS	1
21	044-031		2
22	HHC5050032	1/2-13 X 2 HHCS GR5 Z	4
23	UFW2050	1/2 USS F/W Z	4
24	SLW2050	1/2 SPLIT L/W Z	4
25	703-001	KVF3 DRIVE SHAFT ASSEMBLY	1
26	041-097	IDLER TENSION POST FOR KVF3	1
27	041-098	KVF3 IDLER TENSIONER ADJUSTOR TAB	1
28	041-099	IDLER PULLEY MOUNTING BRACKET FOR KVF3	1
29	560-093	PMI 35400043 4 X 5/8 V-BELT IDLER PULLEY FOR KVF3	1
30	SHCA050024	1/2-13 X 1-1/2 SHCS	1
31	FJN2050	1/2-13 F H JAM NUT Z	1
32	SPACER	1/4 INCH OF 1/2 SCH 40 PIPE	1
33	88588884	5/16-18 X 3-1/8 ZINC GIBRALTAR EYEBOLT	1
34	FJN2031	5/16-18 F H JAM NUT Z	1
35	HHC5025008	1/4-20 X 1/2 HHCS GR5 Z	1
36	FHN5025	1/4-20 FHN GR5 Z	1
37	041-097A	BRACKET FOR IDLER TENSION POST FOR KVF3	1
38	HHC5031012	5/16-18 X 3/4 HHCS GR5 Z	1
39	HHC5037012	3/8-16 X 3/4 HHCS GR5 Z	7
40	SLW2037	3/8 SPLIT L/W Z	16
41	UFW2037	3/8 USS F/W Z	15
42	HHC5037020	3/8-16 X 1-1/4 HHCS GR5 Z	1
43	560-092	BK52H SPINDLE AND MOTOR SHEAVE FOR KVF3	2
44	049-008	H X 5/8 SPLIT TAPER BUSHING FOR KVF3 MOTOR PULLEY	1
45	049-009	H X 1-7/19 SPLIT TAPER BUSHING FOR KVF3 SPINDLE SHEAVE	1
46	051-026	B60 HY-T BELT FOR KVF-3	1
47	568-003	DRAIN PLUG FOR KVF3 PL-200-001	1
48	835-007A	KVF3 TUB PLUG	1
49	053-133	UNLOADER DOOR LOCK ASSEMBLY FOR KVF3	1
50	124-007-ACCESS PANEL	KVF3 CABINET R.H. ACCESS PANEL	1
51	124-007-TOP DECK	KVF3 CABINET TOP DECK	1
52	HHC5037016	3/8-16 X 1 HHCS GR5 Z	8
53	456-002-D	34-1/4 X 8-1/2 OF INSULATION OL471001/2	1
54	W05465	W05465 AIR BRAKE BULKHEAD COUPLING 1/4	1
55	TB3703	TB 3703 1 X 1/2 REDUCING WASHER	2
56	3400X4	3400X4 BRASS STEEL ELBOW	1
57	02560040BLN	02560040BLN 1/4 X 6 LONG BLACK NIPPLE	1
58	3300X4	3300X4 BRASS PIPE COUPLING	1
59	1-4K-22	1/4K-22 5Y BRASS FOG NOZZLE FOR KVF3	1
60	S35B20	S35B20 MINIATURE BALL VALVE 1/4 M X F	1
61	BN22	BN22 DX HOSE BARB 1/4H X 1/4 MNPT	1
62	716-013	COOLANT TANK FOR KVF3	1
63	716-013A	KVF3 COOLANT TANK PUMP STAND	1
64	486-050	SUBMERSIBLE PUMP FOR KVF3 S45WB1P939-0	1
65	BF22	BF22 HOSE BARB 1/4H X 1/4 FP	1
66	REDIHD41	R-DOT IHD4-1 1G RT BOX W/4 1/2" HUBS	1
67	TB2524	TB2524 1/2 .500-.625 CORD CONNECTOR- STRAIGHT	1
68	710-001	TORX C560MH 60 MIN TW TIMER W/WPLTL FOR KVF3	1