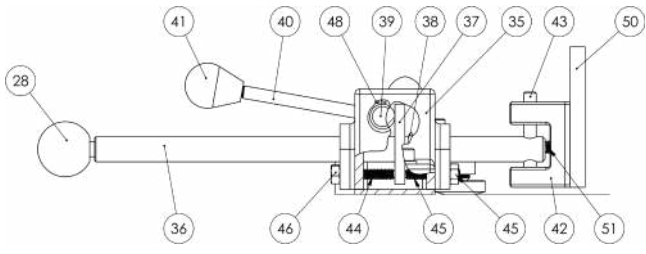
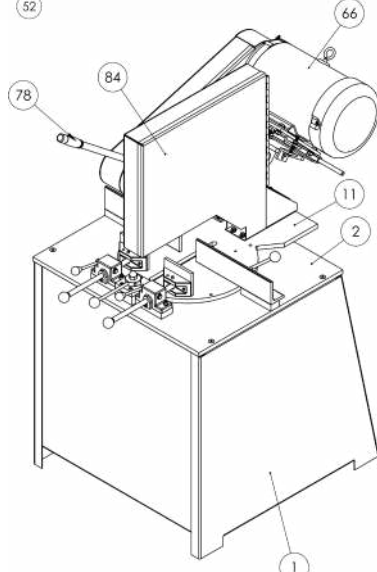
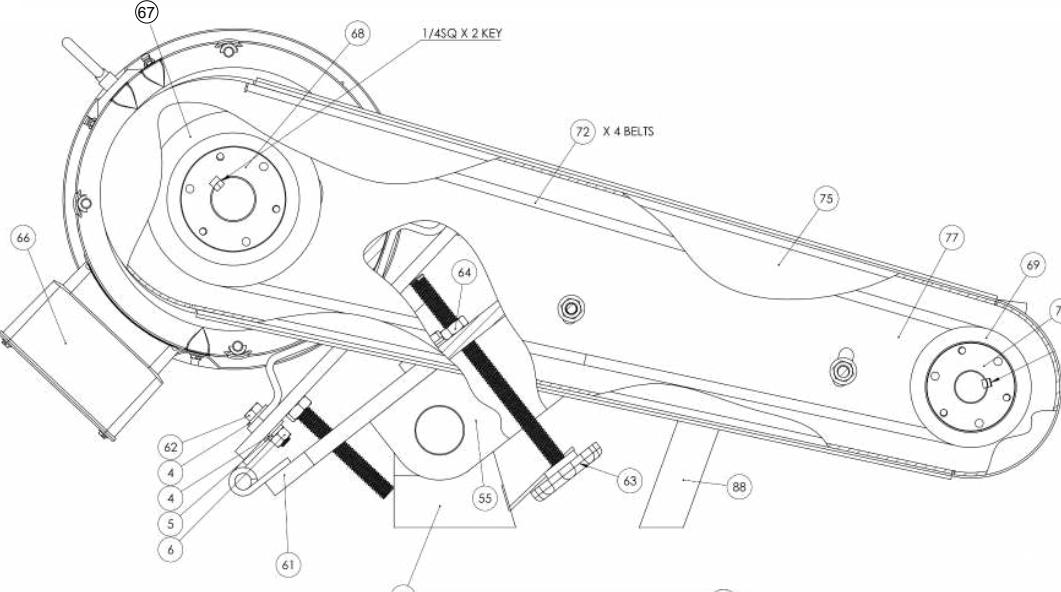


BEARING BUSHING IS ECCENTRIC. THIS ALLOWS BASE, ROUND TABLE TO BE CENTERED AND LOCKED IN POSITION. TABLE SHOULD BE ABLE TO PIVOT FREELY WHEN UNLOCKED.



ITEM NO.	PART NUMBER	DESCRIPTION	QTY.
1	716-018	STAND ASSEMBLY FOR KM16-18 SAW	1
24	829-029	TABLE, MITRE TOP (SQUARE TOP) FOR KM16-18	1
3	FSCA037020	3/8-16 X 1-1/4 FSHCS	4
4	UFW2037	3/8 USS F/W Z	27
5	SLW2037	3/8 SPLIT L/W Z	28
6	FHN5037	3/8-16 FHN GR5 Z	12
7	700-025	TABLE BEARING SHAF/MOUNT FOR KM16-18, KM20-22 SAWS	5
8	044-001	K12 BEARING	5
9	HHC5025020	1/4-20 X 1-1/4 HHC5 GR5 Z	10
10	SLW2025	1/4 SPLIT L/W Z	12
11	050-031	BASE, (ROUND) TOP FOR KM16-18	1
12	049-114	ECCENTRIC BUSHING FOR KM16-18 MITRE TABLE TOP	1
13	049-115	CONCENTRIC BUSHING FOR KM16-18 MITRE TABLE TOP	2
14	SLW2062	5/8 SPLIT L/W Z	4
15	SLW2031	5/16 SPLIT L/W Z	16
16	UFW2031	5/16 USS F/W Z	10
17	HHC5031020	5/16-18 X 1-1/4 HHC5 GR 5 Z	3
18	044-007	K10 BEARING	3
19	053-020	BLOCK, HOLD DOWN FOR KM16-18	1
20	SHCA031048	5/16-18 X 3 SHCS	2
21	FHN5031	5/16-18 FHN GR5 ZINC	3
22	SSDA051016	1/2-20 X 1 FULL DOG SKT SCREW	1
23	696-020	SCREW, TENSION FOR KM16-18 HANDLE, HOLD DOWN FOR KM16-18	1
24	381-011	RND-0.625-11 THRDRODX5.5 LON NG	1
25	RND-0.625-11 THRDRODX5.5 LON NG	5-1/2 INCHES OF 5/8-11 THREADED ROD	1
26	454-006	LOCK NUT FOR KM16-18	1
27	CPN2062	5/8-11 CAP NUT Z	1
28	441-001	K10-16 VISE ROD KNOB	3
29	FHN5062	5/8-11 FHN GR5 Z	1
30	699-024	SPACER, FENCE FOR KM16-18 SAWS	2
31	699-025	SPACER, FENCE FOR KM16-18 SAWS	2
32	293-009L	LEFT FENCE, MITRE KM16-18	1
33	293-009R	RIGHT FENCE, MITRE KM16-18	1
34	HHC5037032	3/8-16 X 2 HHC5 GR5 Z	6
35	386-001	K10-16 VISE HOUSING	2
36	645-009	VISE ROD (LONG) FOR KM10, KM14, K12-14W, KM16-18	2
37	454-001	K10-16 VISE CAM PLATE	2
38	697-001	K10-16 VISE ROD SPRING	2
39	129-001	K10-16 VISE CAM	2
40	381-001	K10-16 VISE HANDLE	2
41	441-002	K10-16 VISE LOCK HANDLE KNOB	2
42	431-011	FRONT VISE JAW FOR KM16-18 VISE ASSEMBLY	2
43	562-001	VISE JAW PIN FOR K10B, K12B, K14B, KM16-18 VISE ASSEMBLIES	2
44	SSA025024	1/4-20 X 1-1/2 SOC SET CUP PT.	2
45	SSA025022	1/4-20 X 1-3/8 SOC SET CUP PT.	2
46	FHN5025	1/4-20 FHN GR5 Z	4
47	SSKA010004	10-24 X 1/4 SOC SET KNURL PT.	2
48	641-016	RETAINING RING FOR S6, S460W, S612	2
49	SHCA031032	5/16-18 X 2 SHCS	20
50	556-083	PLATE, VISE JAW FOR KM16-18	2
51	FSCA031016	5/16-18 X 1 FSHCS	4
52	831-021	TRUNNION FOR KM16-18, K16-18, K20SSF (NEW STYLE)	1
53	HHC5037036	3/8-16 X 2-1/4 HHC5 GR 5 Z	4
54	562-023	PIN, TRUNNION FOR KM16-20	1
55	002-005	SAW ARM FOR K16-18, KM16-18, AND K20SSF SAW	1
56	044-004	K20 SPINDLE BEARING	2
57	701-010	SPINDLE W TIGHT FLANGE FOR K16-18, K20SSF, K20E SAWS	1
58	292-011	LOOSE FLANGE FOR K16-20, KM16-18, KM20-22	1
59	537-027	SPINDLE NUT FOR K16-20	1
60	SSKA031006	5/16-18 X 3/8 SOC SET KNURL PT.	2
61	486-010	MOTOR MOUNT PLATE FOR K16-20 ASSEMBLY	1
62	HHC5037020	3/8-16 X 1-1/4 HHC5 GR5 Z	8
63	696-029	MOTOR PLATE TENSION SCREW FOR K16-K20 SAWS	1
64	FJNZ050	1/2-13 F H JAM NUT Z	1
65	CRB2031040	5/16-18 X 2-1/2 CARRIAGE BOLT Z	1
66	486-019	10HP MOTOR FOR K16-18, KM16-18, BG14	1
67	43V5305D5	MOTOR PULLEY SHEAVE FOR K16-18, KM16-18, K20SSF-15, K20RS-15, K20SW-15, KM20-22/15, KM20-22W/15 FOR K16-18, KM16-18, K20SSF-15, K20RS-15, K20SW-15, KM20-22-15HP, KM20-22W-15	1
68	049-003	MOTOR PULLEY BUSHING FOR K16-18, KM16-18, K20SSF-15, K20RS-15, K20SW-15, KM20-22-15HP, KM20-22W-15	1
69	560-047	SPINDLE PULLEY SHEAVE FOR K16-18, KM16-18, K20SSF-15, K20RS, KM20-22/15, MOTOR PULLEY SHEAVE FOR K20SW-20HP	1
70	049-004	SPINDLE PULLEY BUSHING FOR K16-18, K20SSF-15HP, K20RS-15, KM16-18, KM20-22-15HP	1
71	0.75DIA X 0.875LONG CRS	7/8 LONG OF 3/4 ROUND CR1018	1
72	051-005K20SSF.K16-18	3V600 V-BELT FOR K16-18, K20SSF, K20E, K20RS, K20SW	4
73	RND-0.375-16 THRDRODX6.25	6-1/4 INCHES OF RND-3/8-16 THREADED ROD	1
74	RND0.375-16 THRD X 5.5 375	5-3/8 INCHES OF 3/8-16 THREADED ROD	1
75	342-039	OUTER GUARD, BELT FOR K16-18 AND K20SSF SAWS	1
76	CPN2037	3/8-16 CAP NUT NICKEL	2
77	342-039A	GUARD, INNER BELT FOR K16-18, KM16-18, K20SSF SAWS	1
78	381-009	HANDLE WITH GRIP FOR K16-20 ABRASIVE SAW	1
79	SSKA025006	1/4-20 X 3/8 SOC SET KNURL PT.	1
80	ZERK012000	1/8-27 X 11/16 STRT LUBE FITTING	2
81	342-030	INNER WHEEL GUARD FOR K16-18, K20SSF SAWS	1
82	HHC5025012	1/4-20 X 3/4 HHC5 GR5 Z	2
83	UFW025	1/4 USS F/W Z	2
84	342-052	GUARD, WHEEL FOR KM16-18	1
85	HHC5031016	5/16-18 X 1 HHC5 GR5 Z	6
86	342-052A	OUTSIDE SUPPORT BRACKET FOR KM16-18 WHEEL GUARD	1
87	049-116	SPACER BUSHING FOR K20 SERIES SPINDLE	1
88	940-001	DOWN STOP ASSEMBLY FOR KM16-18 AND KM20-22	1
89	709-010	KM20-22 MITRE TABLE STOP LEVER	1