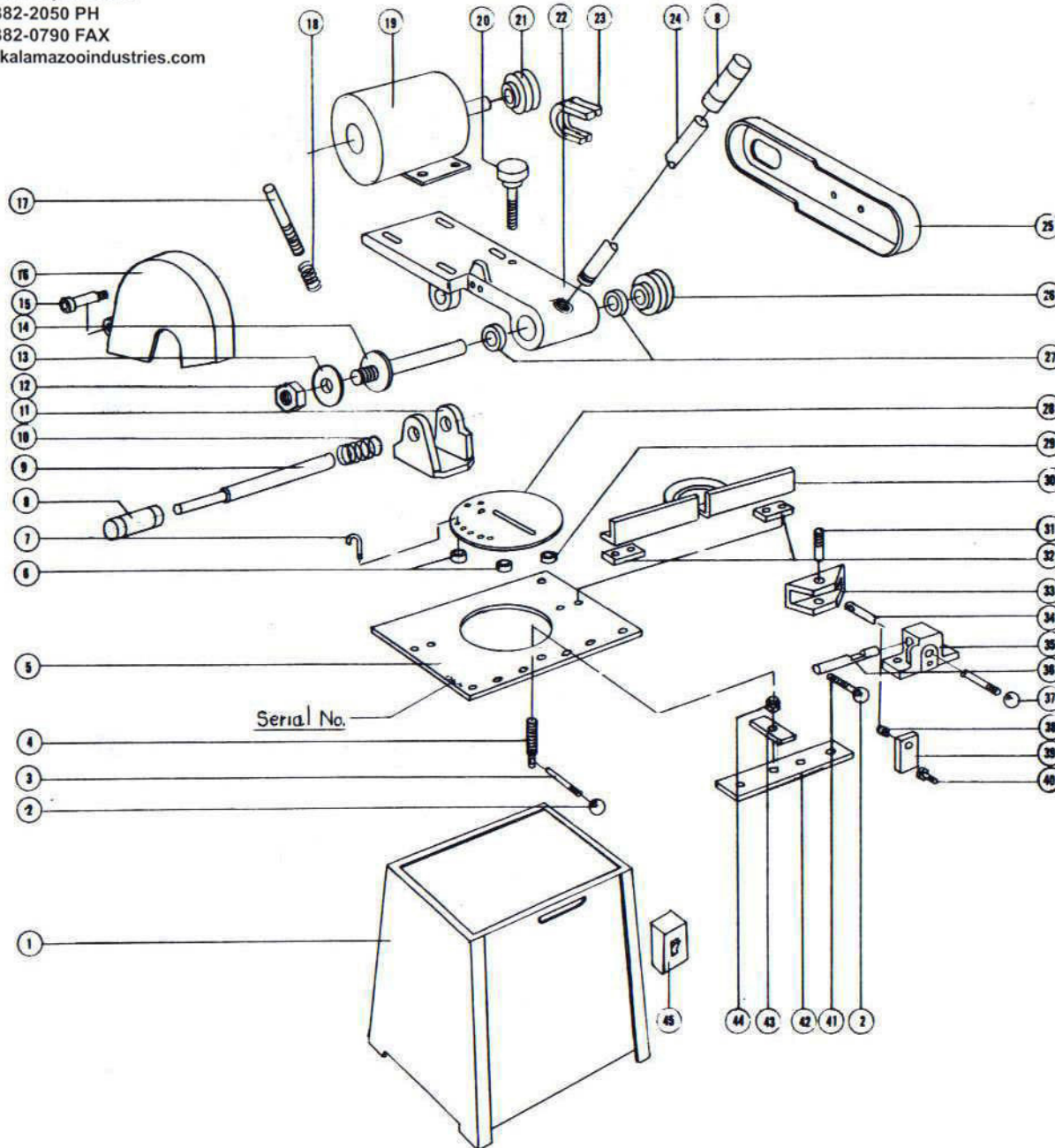


# KI KALAMAZOO INDUSTRIES, INC.

6856 East K Avenue  
 Kalamazoo, MI 49048  
 269-382-2050 PH  
 269-382-0790 FAX  
 www.kalamazooindustries.com



No.	Part No.	Description	QTY
1	716-001	Stand	1
2	441-002	Table Lock Knobs	3
3	381-012	Table Lock Handle	1
4	696-013	Table Lock Screw	1
5	556-008	Mitre Plate Stand Top	1
6	044-006	Ball Bearings	2
7	562-020	Table Index Pin	1
8	347-003	Handle Grip	1
9	562-019	Trunnion Pin	1
10	697-018	Trunnion Spring	1
11	831-010	Trunnion	1
12	537-026	1-14 L.H. Spindle Nut	1
13	292-004	Loose Flange	1
14	701-002	Spindle With Tight Flange	1
	702-005	Spindle Assembly (Bearings, Spindle W/Tight Flange Loose, Spindle Nut) Option	1
15		5/8" Shoulder Bolt	1
16	342-025	Wheel Guard	1
17	645-013	Stop Rod	1
18	697-027	Stop	1
19	486-001	5Hp 3Ph 3450RPM	1
	486-023	5Hp 1Ph 3450RPM	1
20	696-014	Stop Screw W/Knob	1
21	560-002	Motor Pulley (Bushing Sold Separately)	1
	049-022	Motor Pulley Bushing (Not Shown)	1
22	002-002	Saw Arm	1
23	051-006	V-Belts	2
24	381-001	Saw Handle	1
25	342-004	Belt Guard	1
26	560-001	Spindle Pulley	1
27	044-001	K12 Spindle Bearings	2
28	050-036	Mitre Base Plate	1
29	053-001	Eccentric Bushing (W/044-007)	1
30	293-001	Mitre Fence	1
31	562-001	Vise Jaw Pins	2
32	699-004	Fence Spacers	2
33	431-001	Vise Jaw	2
34	645-009	Vise Jaw	2
35	386-001	Vise House (Only)	2
36	129-001	Vise Lock Cam	2
37	441-001	Vise Rod Knob	2
38	697-001	Vise Rod Spring	2
39	454-001	Vise Lock	2
40	696-001	Vise Cam Screw	2
41	381-001	Vise Lock Handle	2
42	699-005	Vise Spacer	1
43	454-004	Table Lock	1
44		5/8-11 Table Nut	1
45		Starter	1
	912-016	Vise Assembly (Less Jaws and Pin)	2
	002-002AS	Arm Assembly (Arm and Spindle Assembly)	1

KMI4

SCALE:	APPROVED BY:	DRAWN BY:
DATE:		REVISED:
		DRAWING NUMBER: