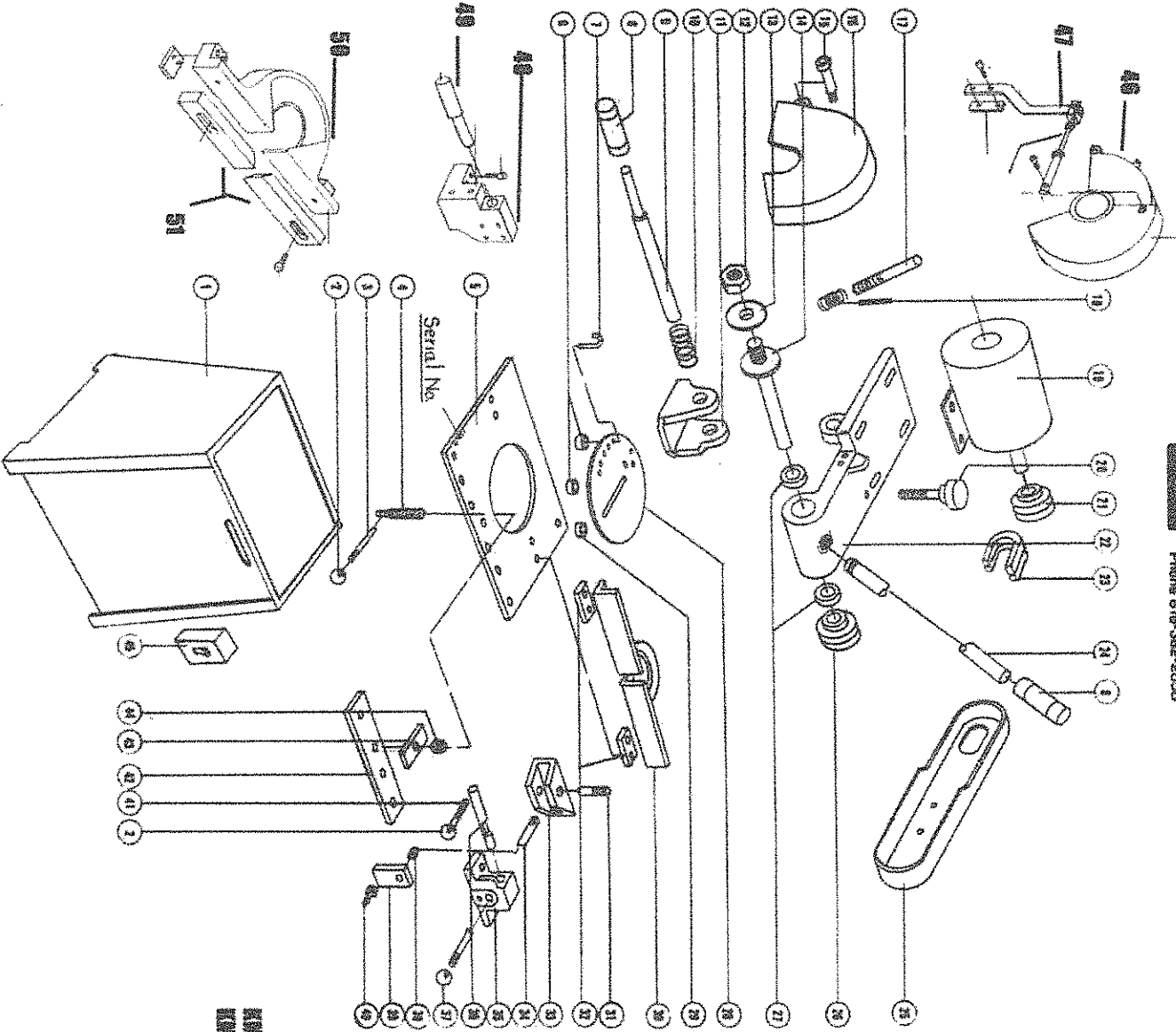


KALAMAZOO INDUSTRIES



6938 E. Michigan Ave./Box 8596
 Kalamazoo, Michigan 49003
 Phone 616-382-2050



**KALAMAZOO
 PARTS ONLY**

NO.	PART NO.	DESCRIPTION	QTY
1	216-001	STAND	1
2	491-002	KNOB, VISE & TABLE LOCK HANDLE	1
3	381-012	TABLE LOCK HANDLE	1
4	696-015	TABLE LOCK SCREW	1
5	556-008	RIPE PLATE STAND TOP	1
6	38001	BALL BEARING	2
7	562-020	TABLE INDEX PIN	1
8	347-005	HAND E GRIP	2
9	562-019	TORQUE PIN	1
10	697-016	TORQUE SPRING	1
11	831-010	TORQUE PIN	1
12		1-1/4 L.H. SPINDLE NUT	1
13	292-004	LOOSE FLANGE	1
14	701-002	SPINDLE N/TIGHT FLANGE	1
15		5/8" SHOULDER BOLT	1
16	342-025	WHEEL GUARD	1
17	645-013	STOP ROD	1
18	9-1608-11	STOP SPRING (HARDY)	1
19		SHR MOTOR	1
20	696-014	STOP SCREW (W/491-004 KNOB)	1
21	568-002	ROTOR PULLEY	1
22	002-902	SAW ARM	1
23	051-006	V-BELT	2
24	581-002	SAW HANDLE	1
25	342-004	BELT GUARD	1
26	569-001	SPINDLE PULLEY	1
27	088-001	K12 BEARING	2
28	050-013	RIPE PLATE BASE	1
29	053-001	ECCENTRIC RUSHING (W/094-007)	1
30	293-001	RIPE FENCE	1
31	592-002	VISE JAW PIN	2
32	699-014	FENCE SPACER	2
33	431-001	VISE JAW	2
34	645-009	VISE ROD	2
35	390-001	VISE HOUSING	2
36	129-001	VISE LOCK COM	2
37	441-001	KNOB, VISE ROD	2
38	697-001	VISE ROD SPRING	2
39	454-001	VISE LOCK	2
40	696-001	VISE CAP SCREW	2
41	381-001	VISE LOCK HANDLE	2
42	699-005	VISE SPACER	1
43	454-004	TABLE LOCK	1
44		5/8-11 TABLE NUT	1
45		MANUAL STARTER	1
46	302-012	CHAIN DRIVE	1
47	485-401	LEVER	1
48	833-022	TOOTH	1
49	602-019	TORQUE PIN	1
50	204-017	FORCE	1
51	858-046	MINIFORCE PLATE	1

KM14, KALAMAZOO

SCALE:	DATE:	DESIGNED BY:	CHECKED BY:
DRAWING NUMBER			