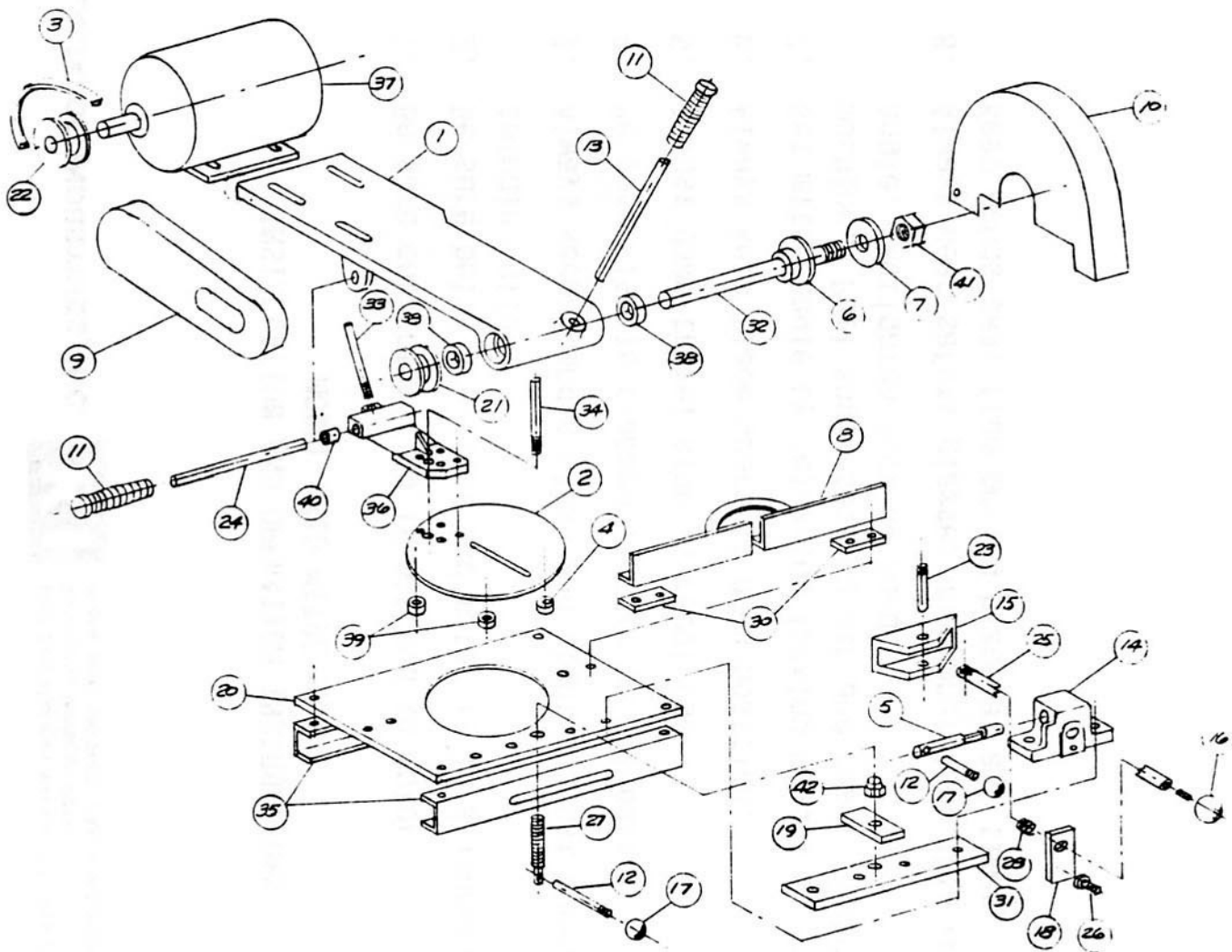


MODEL KM10
10" ABRASIVE MITRE SAW



Kalamazoo Industries, Inc.
6856 East K Ave.
Kalamazoo , Mi. 49048
PH: 269-382-2050 FX: 269-382-0790
www.kalamazooindustries.com

No.	Part No.	Description	QTY
1	002-006	Saw Arm	1
2	050-013	Mitre Plate Base	1
3	051-003	V-Belt	1
4	049-001	Eccentric Bushing	1
5	129-001	Vise Lock Cam	2
6	292-012	Tight Flange (Not Sold Separately)	1
7	292-008	Loose Flange	1
8	293-001A	Mitre Fence	1
9	342-043	Belt Guard	1
10	342-006	Wheel Guard	1
11	347-001	Handle Grip	1
12	381-001	Vise Lock Handle	2
13	381-003	Handle With Grip	1
14	386-001	Vise Housing	2
15	431-001	Front Vise Jaw	2
16	441-001	Vise Rod Knob	2
17	441-002	Vise Handle Knob	2
18	454-001	Vise Lock	2
19	454-004	Table Lock	1
20	556-008	Mitre Plate Base	1
21	560-045	Spindle Pulley	1
22	560-045	Motor Pulley	1
23	562-001	Vise Jaw Pin	2
24	562-008	Trunnion Pin	1
25	645-009	Vise Rod	2
26	696-001	Vise Cam Screw	2
27	696-013	Table Lock Screw	1
28	697-001	Vise Rod Spring	2
29	697-002	Cam Vise Spring	2
30	699-017	Fence Spacers	2
31	699-005	Vise Spacer	1
32	701-003	Saw Spindle With Tight Flange	1
33	709-008	Rear Arm Stop	1
34	709-007	Front Rod Stop	1
35	711-002	Plate Support	2
36	831-013	Trunnion	1
37	486-006	3Hp 1Ph	1
	486-007	3Hp 3Ph (Optional)	1
38	044-007	Bearings	2
39	044-006	Bearing	2
40	P-50-4	Sleeve Bushing	2
41	537-025	Spindle Nut	1
42		Acorn Nut 5/8-11	1
	912-016	Vise Asseby (Less Jaws)	2
	002-003AS	Arm Assembly (Arm, Spindle Assembly)	1