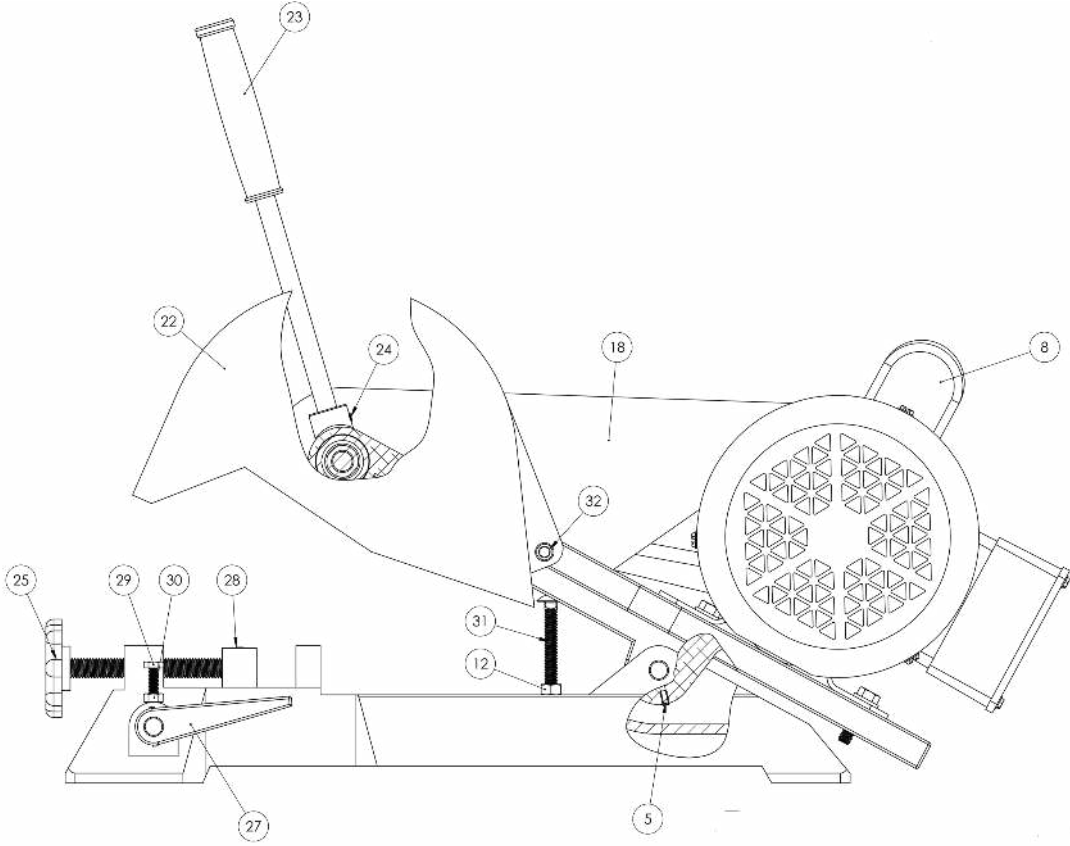
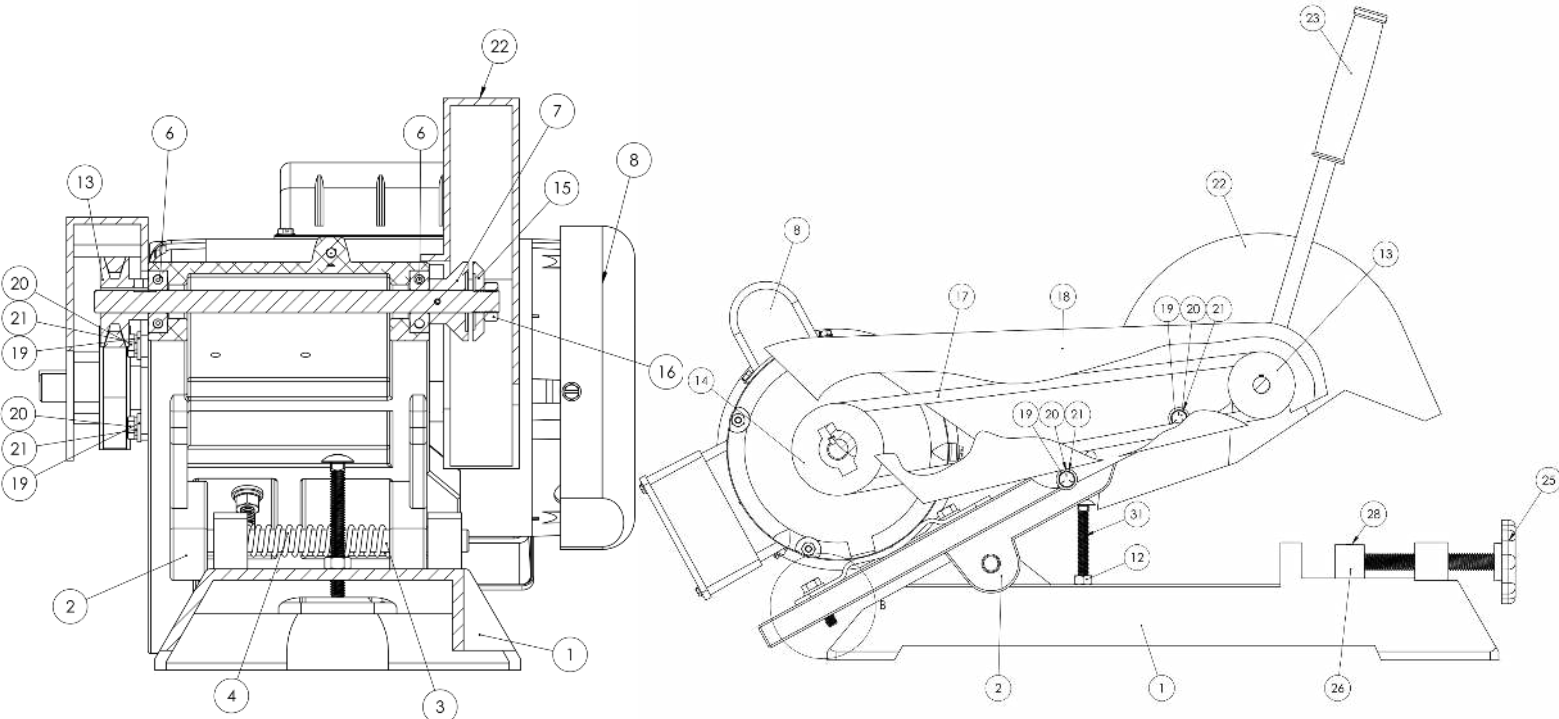


# REPLACEMENT PART LIST



# REPLACEMENT PARTS LIST

| ITEM NO. | PART NUMBER | DESCRIPTION   | QTY. |
|----------|-------------|---|------|
| 1        | 050-001     | K7B- K8B SAW BASE   | 1    |
| 2        | 002-001     | ALUMINUM SAW ARM FOR K7B, K8B, K10B (TAKES NEW 6202-2RS-1/2 BEARINGS) | 1    |
| 3        | 562-004     | TRUNNION PIN FOR K7B, K8B, K10B                                       | 1    |
| 4        | 697-013     | TENSION SPRING FOR 2FS, 2FS72, 2FSM, BG142, 2FS72M, K12-14B           | 1    |
| 5        | SHCA010006  | 10-24 X 3/8 SHCS CUP POINT  | 1    |
| 6        | 044-012     | BEARING FOR K7B, K8B, 6202-2RS-1/2                                    | 2    |
| 7        | 701-012     | SPINDLE WITH TIGHT FLANGE FOR K7B-K8B                                 | 1    |
| 8        | 486-002A    | 1HP, 1PH, 3450RPM, 60HZ, 56F, 115/230 FOR K7B                         | 1    |
| 9        | HHC5031020  | 5/16-18 X 1-1/4 HHCS GR 5 Z   | 3    |
| 10       | UFWZ031     | 5/16 USS F/W Z  | 6    |
| 11       | SLWZ031     | 5/16 SPLIT L/W Z  | 3    |
| 12       | FHN5031     | 5/16-18 FHN GR5 ZINC  | 4    |
| 13       | 560-003     | 1/2" SPINDLE PULLEY (200A5) FOR K7B-K8B                               | 1    |
| 14       | 560-004     | 5/8 MOTOR PULLEY (ALUMINIUM/275A6) FOR K7B, K8B, 2FS, 2FSM(OLD STYLE) | 1    |
| 15       | 292-002     | LOOSE FLANGE FOR K7B, K8B   | 1    |
| 16       | FJNZ051     | 1/2-20 F H JAM NUT Z  | 1    |
| 17       | 051-001     | 4L-330 V-BELT FOR K7B, K8B, 2FS AND 2FS72M (OLD STYLE)                | 1    |
| 18       | 342-002     | BELT GUARD FOR K7B AND K8B  | 1    |
| 19       | UFWZ025     | 1/4 USS F/W Z   | 2    |
| 20       | HHC5025012  | 1/4-20 X 3/4 HHCS GR5 Z   | 2    |
| 21       | SLWZ025     | 1/4 SPLIT L/W Z   | 2    |
| 22       | 342-001     | WHEEL GUARD FOR K7B AND K8B   | 1    |
| 23       | 381-003     | HANDLE W GRIP FOR K7B, K8B, K10B SAWS                                 | 1    |
| 24       | SSKA025004  | 1/4-20 X 1/4 SOC SET KNURL PT.  | 1    |
| 25       | 696-002     | WISE SCREW ASSEMBLY FOR K7B, K8B                                      | 1    |
| 26       | 431-003     | JAW, VISE BLOCK FOR K7B AND K8B SAWS                                  | 1    |
| 27       | 709-001     | WORK STOP FOR K7B, K8B SAWS   | 1    |
| 28       | SSDA025006  | 1/4-20 X 3/8 SOC SET FULL DOG PT                                      | 1    |
| 29       | HHC5025020  | 1/4-20 X 1-1/4 HHCS GR5 Z   | 1    |
| 30       | FHN5025     | 1/4-20 FHN GR5 Z  | 1    |
| 31       | CRBZ031048  | 5/16-18 X 3 CARRIAGE BOLT Z   | 1    |
| 32       | SHCA031024  | 5/16-18 X 1-1/2 SHCS  | 1    |