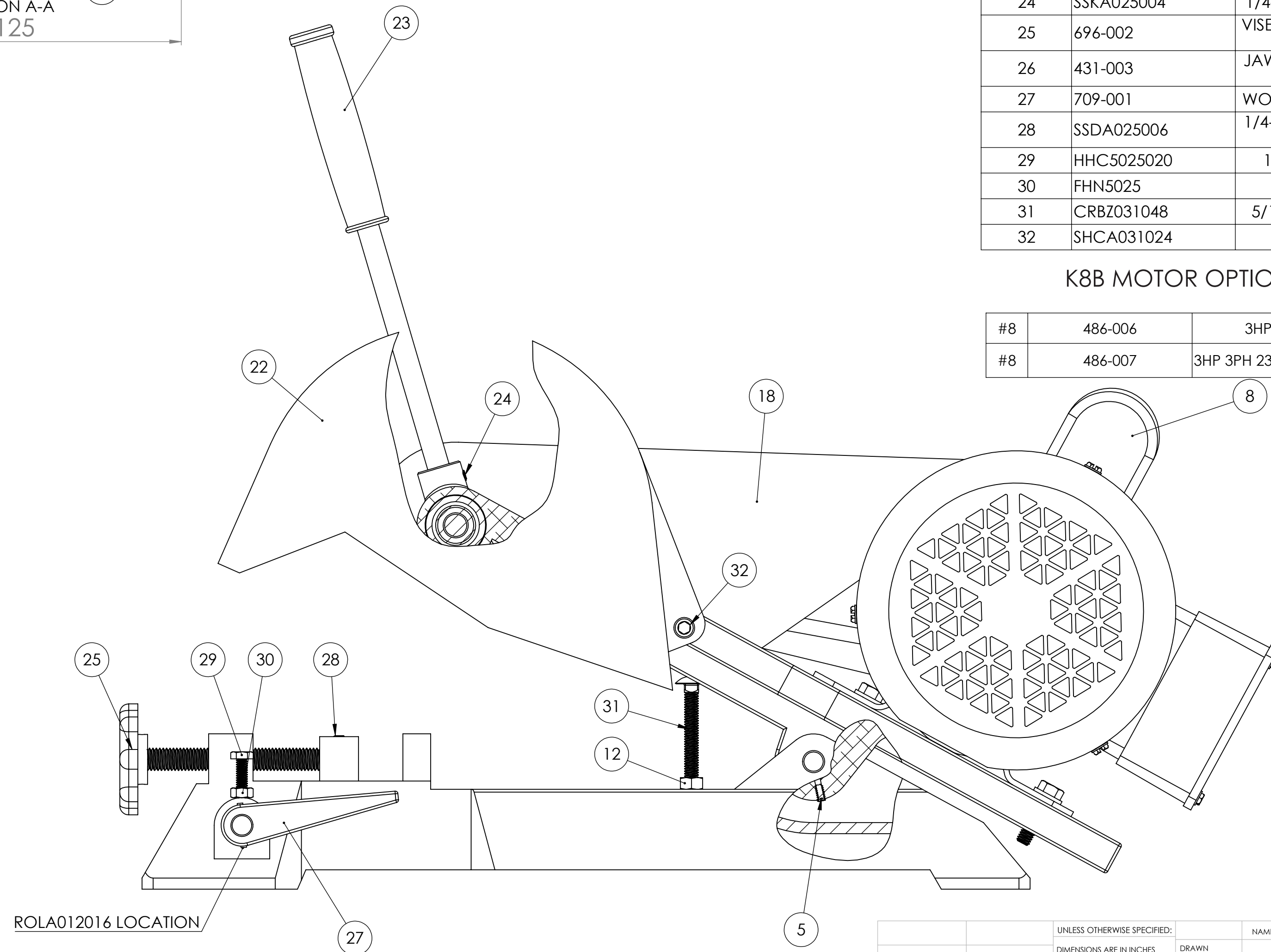
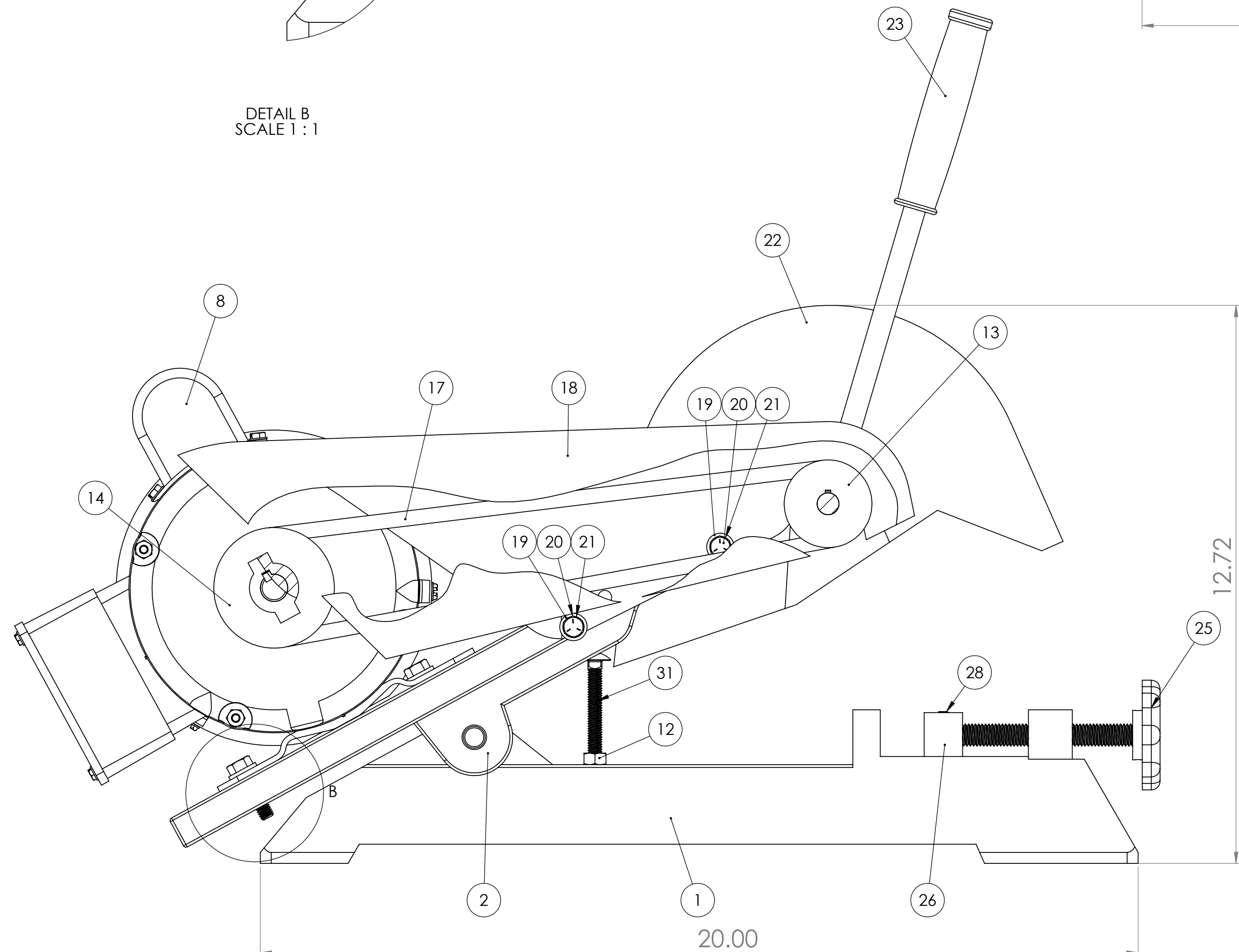


DETAIL B  
SCALE 1:1



ITEM NO.	PART NUMBER	DESCRIPTION	QTY.
1	050-001	K7B- K8B SAW BASE	1
2	002-001	ALUMINUM SAW ARM FOR K7B, K8B, K10B (TAKES NEW 6202-2RS-1/2 BEARINGS)	1
3	562-004	TRUNNION PIN FOR K7B, K8B, K10B	1
4	697-013	TENSION SPRING FOR 2FS, 2FS72, 2FSM, BG142, 2FS72M, K12-14B	1
5	SHCA010006	10-24 X 3/8 SHCS CUP POINT	1
6	044-012	BEARING FOR K7B, K8B, 6202-2RS-1/2	2
7	701-012	SPINDLE WITH TIGHT FLANGE FOR K7B-K8B	1
8	486-002A	1HP, 1PH, 3450RPM, 60HTZ, 56F, 115/230 FOR K7B	1
9	HHC5031020	5/16-18 X 1-1/4 HHCS GR 5 Z	3
10	UFWZ031	5/16 USS F/W Z	6
11	SLWZ031	5/16 SPLIT L/W Z	3
12	FHN5031	5/16-18 FHN GR5 ZINC	4
13	560-003	1/2" SPINDLE PULLEY (200A5) FOR K7B-K8B	1
14	560-004	5/8 MOTOR PULLEY (ALUMINIUM/275A6) FOR K7B, K8B, 2FS, 2FSM(OLD STYLE)	1
15	292-002	LOOSE FLANGE FOR K7B, K8B	1
16	FJNZ051	1/2-20 F H JAM NUT Z	1
17	051-001	4L-330 V-BELT FOR K7B, K8B, 2FS AND 2FS72M (OLD STYLE)	1
18	342-002	BELT GUARD FOR K7B AND K8B	1
19	UFWZ025	1/4 USS F/W Z	2
20	HHC5025012	1/4-20 X 3/4 HHCS GR5 Z	2
21	SLWZ025	1/4 SPLIT L/W Z	2
22	342-001	WHEEL GUARD FOR K7B AND K8B	1
23	381-003	HANDLE W GRIP FOR K7B, K8B, K10B SAWS	1
24	SSKA025004	1/4-20 X 1/4 SOC SET KNURL PT.	1
25	696-002	WISE SCREW ASSEMBLY FOR K7B, K8B	1
26	431-003	JAW, VISE BLOCK FOR K7B AND K8B SAWS	1
27	709-001	WORK STOP FOR K7B, K8B SAWS	1
28	SSDA025006	1/4-20 X 3/8 SOC SET FULL DOG PT	1
29	HHC5025020	1/4-20 X 1-1/4 HHCS GR5 Z	1
30	FHN5025	1/4-20 FHN GR5 Z	1
31	CRBZ031048	5/16-18 X 3 CARRIAGE BOLT Z	1
32	SHCA031024	5/16-18 X 1-1/2 SHCS	1

K8B MOTOR OPTIONS

#8	486-006	3HP 1PH 115V
#8	486-007	3HP 3PH 230V AND OR 460V

PROPRIETARY AND CONFIDENTIAL  
THE INFORMATION CONTAINED IN THIS DRAWING IS THE SOLE PROPERTY OF KALAMAZOO INDUSTRIES, INC. ANY REPRODUCTION IN PART OR AS A WHOLE WITHOUT THE WRITTEN PERMISSION OF KALAMAZOO INDUSTRIES, INC. IS PROHIBITED.

UNLESS OTHERWISE SPECIFIED:		NAME	DATE
DIMENSIONS ARE IN INCHES	FRACTIONAL ±		
ANGULAR ±	MAJOR ±		
TWO PLACE DECIMAL ±	BEND ±		
THREE PLACE DECIMAL ±			
INTERPRET GEOMETRIC TOLERANCING PER:			
MATERIAL			
FINISH			
APPLICATION	DO NOT SCALE DRAWING		

TITLE:	SIZE	DWG. NO.	REV
K7B-K8B SAW ASSEMBLY	D	K7B-K8B	
	SCALE: 1:2	WEIGHT:	SHEET 1 OF 1