

# Kalamazoo Industries Inc.

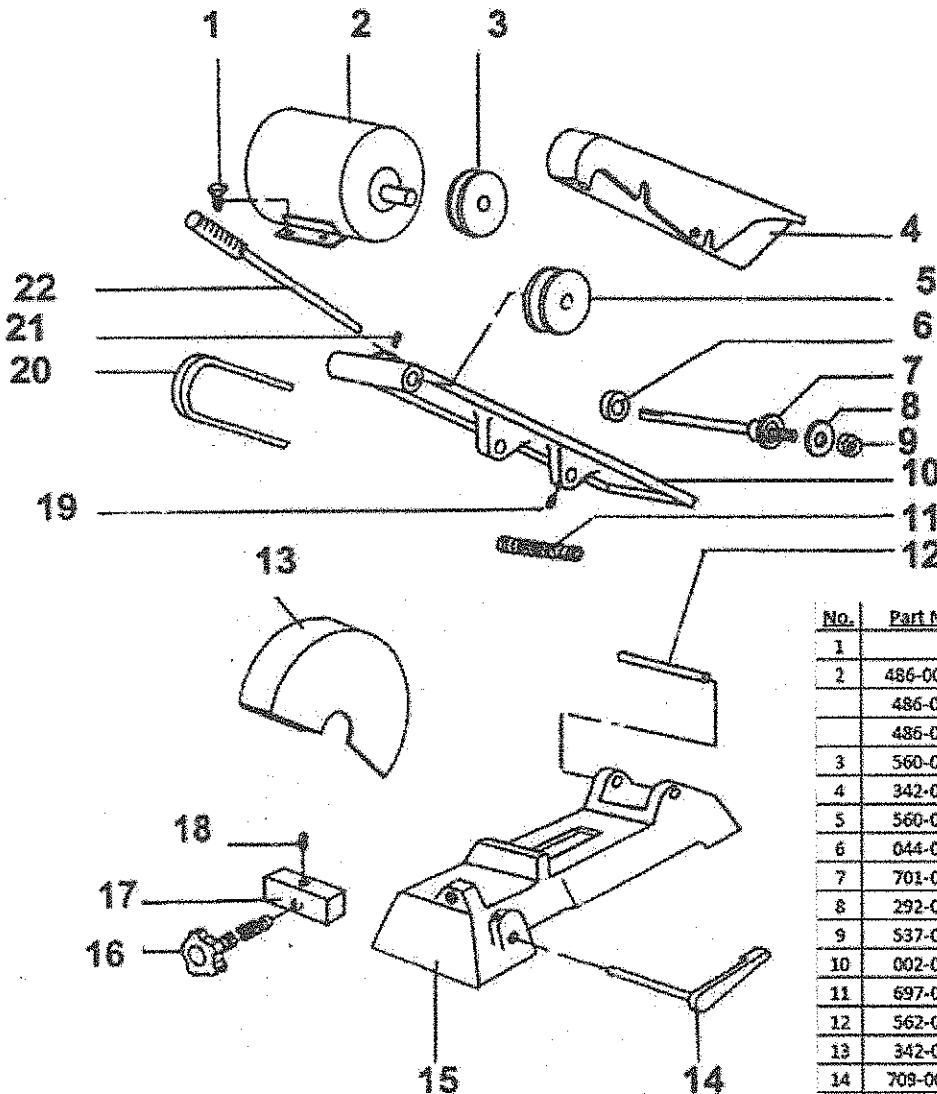
6856 East K Avenue

Kalamazoo, MI 49048-6042

Phone: (269) 382-2050 • Fax (269) 382-0790

www.kalamazooindustries.com

## MODEL K7B & K8B ABRASIVE SAW



| No. | Part No.  | Description  | QTY |
|-----|-----------|--|-----|
| 1   |           | H.H.C.S  | 4   |
| 2   | 486-002A  | 1Hp 1Ph Motor - K7B  | 1   |
|     | 486-006   | 3Hp 1Ph Motor - K8B  | 1   |
|     | 486-007   | 3Hp 3Ph Motor - K8B  | 1   |
| 3   | 560-004   | 5/8" Motor Pulley  | 1   |
| 4   | 342-002   | Belt Guard   | 1   |
| 5   | 560-003   | 1/2" Spindle Pulley  | 1   |
| 6   | 044-012   | Bearings   | 2   |
| 7   | 701-012   | Spindle with Tight Flange  | 1   |
| 8   | 292-002   | Loose Flange   | 1   |
| 9   | 537-024   | Spindle Nut  | 1   |
| 10  | 002-001   | Saw Arm  | 1   |
| 11  | 697-005   | Trunnion Spring  | 1   |
| 12  | 562-004   | Trunnion Pin   | 1   |
| 13  | 342-002   | Wheel Guard  | 1   |
| 14  | 709-001A  | Stop Assembly  | 1   |
| 15  | 050-001   | Saw Base   | 1   |
| 16  | 696-002   | Screw Vise Assembly  | 1   |
| 17  | 431-003   | Vise Block   | 1   |
| 18  |           | 1/4-20 S.S.S   | 1   |
| 19  |           | 1/4-20 S.S.S   | 1   |
| 20  | 051-001   | V-Belt   | 1   |
| 22  | 381-003   | Saw Handle With Grip   | 1   |
|     | 702-001   | Spindle Assembly (Includes Spindle, Tight Flange, Loose Flange, Bearings and Nut) - Optional | 1   |
|     | 347-001   | Grip Only  | 1   |
|     | 002-001AS | Arm Assembly (Arm, Spindle Assembly)   | 1   |

### Basic Operation:

1. Be sure work piece is held securely. Any part movement will break abrasive blades.
2. Abrasive wheel grades vary. Use Kalamazoo Ind. non-reinforced 7" or 8" abrasive wheels. 7" # KAB7N or 8" KAB8N, 1/2" arbor. Heavy reinforced wheels in this diameter do not cut. Good cuts are bright, not burned or discolored.
3. Keep V belts tight (1/2" squeeze) and pulleys lined up straight. Use a v belt tensioner to tension belts.
4. DO NOT USE STEEL TOOTHED BLADES!! GUARDING IS FOR ABRASIVE ONLY!!