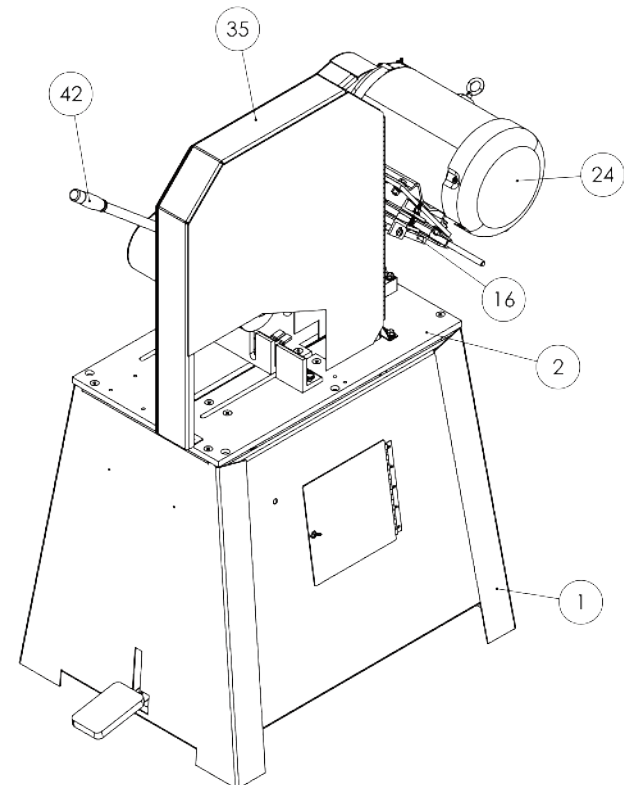
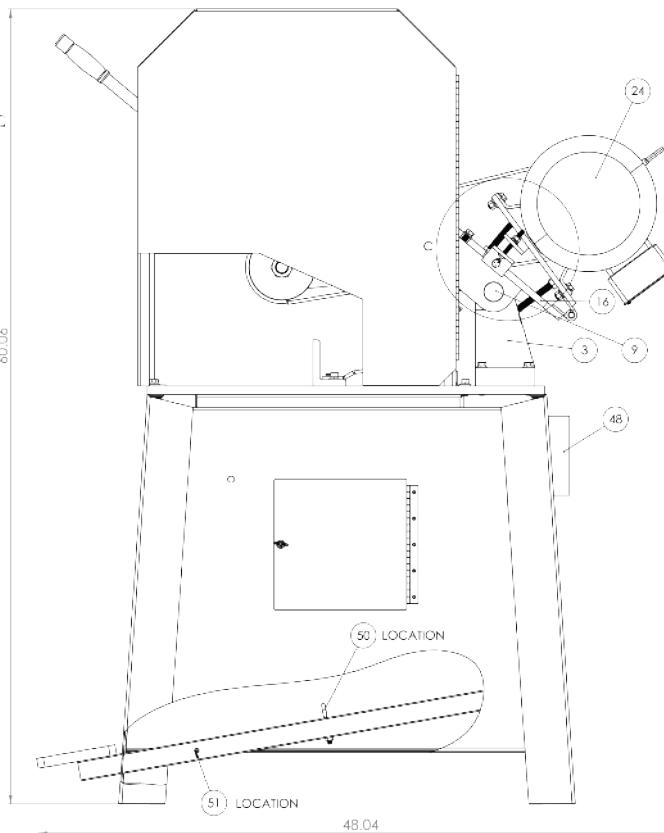
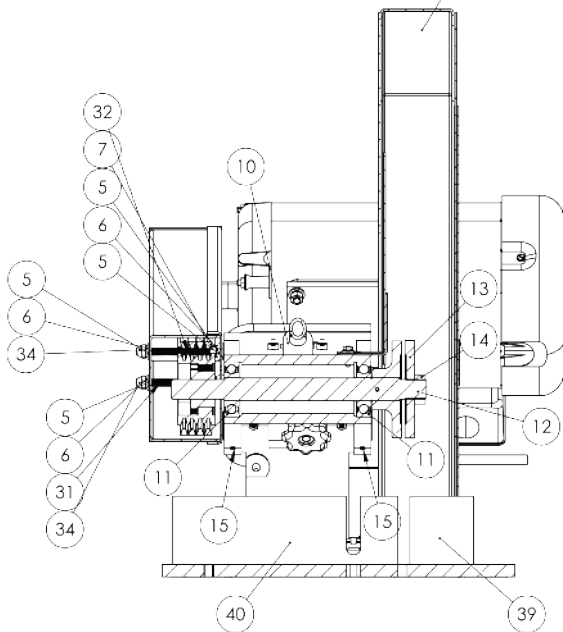


K20SSF-15HP 20" ABRASIVE CHOP SAW REPLACEMENT PARTS LIST



ITEM NO.	PART NUMBER	DESCRIPTION	QTY.
1	716-027	STAND ASSEMBLY FOR K20SSF	1
2	050-019A	BASE, PLATE FOR K20SSF (NEW STYLE)	1
3	831-021	TRUNNION FOR KM16-18, K16-18, K20SSF (NEW STYLE)	1
4	FSCA037020	3/8-16 X 1-1/4 FSHCS	4
5	UFWZ037	3/8 USS F/W Z	35
6	SLWZ037	3/8 SPLIT L/W Z	29
7	FHN5037	3/8-16 FHN GR5 Z	13
8	HHC5037036	3/8-16 X 2-1/4 HHCS GR 5 Z	4
9	700-003	NEW STYLE TRUNNION PIN FOR K16-18, KM STYLE TRUNNION, K20SSF	1
10	002-005	SAW ARM FOR K16-18, KM16-18, AND K20SSF SAW	1
11	044-004	K20 SPINDLE BEARING	2
12	701-010ASSY	SPINDLE W TIGHT FLANGE FOR K16-18, K20SSF, K20E SAWS	1
13	292-011	LOOSE FLANGE FOR K16-20, KM16-18, KM20-22	1
14	537-027	SPINDLE NUT FOR K16-20	1
15	SSKA031006	5/16-18 X 3/8 SOC SET KNURL PT.	2
16	486-010	MOTOR MOUNT PLATE FOR K16-20 ASSEMBLY	1
17	HHC5037020	3/8-16 X 1-1/4 HHCS GR5 Z	8
18	696-029	MOTOR PLATE TENSION SCREW FOR K16-K20 SAWS	1
19	FJNZ050	1/2-13 F H JAM NUT Z	1
20	CRBZ031040	5/16-18 X 2-1/2 CARRIAGE BOLT Z	1
21	UFWZ031	5/16 USS F/W Z	1
22	SLWZ031	5/16 SPLIT L/W Z	1
23	FHN5031	5/16-18 FHN GR5 ZINC	1
24	486-020	15HP SD, 3PH, 1725RPM, 215T, 208/230/460 FOR K20SSF-15, K20SW-15, KM20-22/15	1
25	43V530SDS	4/3V0530SDS MOTOR PULLEY FOR K16-18, KM16-18, K20SSF-15, KM20-22/15, KM20-22	1
26	049-003	SDSX1-3/8 BUSHING FOR MOTOR PULLEY FOR K16-18, KM16-18, K20SSF, K20RS	1
27	560-047	4/3V0365SH SPINDLE PULLEY FOR K16-18, KM16-18, K20RS, KM20-22, K20SSF	1
28	049-004	SHX1 BUSHING FOR SPINDLE PULLEY FOR K16-18, K20SSF-15HP, K20RS-15, KM16-18	1
29	00202300X0.875	7/8 LONG OF 3/4 ROUND CR1018	1
30	051-005	3V600 V-BELT FOR K16-18, K20SSF, K20E, K20RS, K20SW	4
31	19100900X6.25	6-1/4 INCHES OF 3/8-16 THREADED ROD	1
32	19100900X5.375	5-3/8 INCHES OF 3/8-16 THREADED ROD	1
33	342-039	OUTER GUARD, BELT FOR K16-18 AND K20SSF SAWS	1
34	CPNZ037	3/8-16 CAP NUT NICKEL	2
35	342-013	WHEEL GUARD FOR K20SSF	1
36	HHC5037016	3/8-16 X 1 HHCS GR5 Z	4
37	SHCA037020	3/8-16 X 1-1/4 SHCS	2
38	342-039A	GUARD, INNER BELT FOR K16-18, KM16-18, K20SSF SAWS	1
39	293-003	FENCE, RIGHT FOR K16-18, K20SSF	1
40	293-002	FENCE, LEFT FOR K16-18, K20SSF	1
41	SHCA037040	3/8-16 X 2-1/2 SHCS	2
42	381-009	HANDLE WITH GRIP FOR K16-20 ABRASIVE SAW	1
43	SSKA025006	1/4-20 X 3/8 SOC SET KNURL PT.	1
44	342-030	INNER WHEEL GUARD FOR K16-18, K20SSF SAWS	1
45	HHC5025012	1/4-20 X 3/4 HHCS GR5 Z	2
46	SLWZ025	1/4 SPLIT L/W Z	4
47	UFWZ025	1/4 USS F/W Z	2
48	168-003	VACUUM SPARK CHUTE FOR K20SSF BASE	1
49	FSCA037016	3/8-16 X 1 FSHCS	4
50	697-021	SPRING FOR HOOK CHAIN ASSY FOR K16-18 AND K20SSF CHAIN VISE	1
51	697-022	SPRING, FOOT PEDAL FOR K16-18 AND K20SSF SAWS	1
52	ZERK012000	1/8-27 X 11/16 STRT LUBE FITTING	2
53	049-116	SPACER BUSHING FOR K20 SERIES SPINDLE	1
54	041-103	K20SSF PHV DOWN STOP SWITCH BRACKET	1
55	HHC5025008	1/4-20 X 1/2 HHCS GR5 Z	2