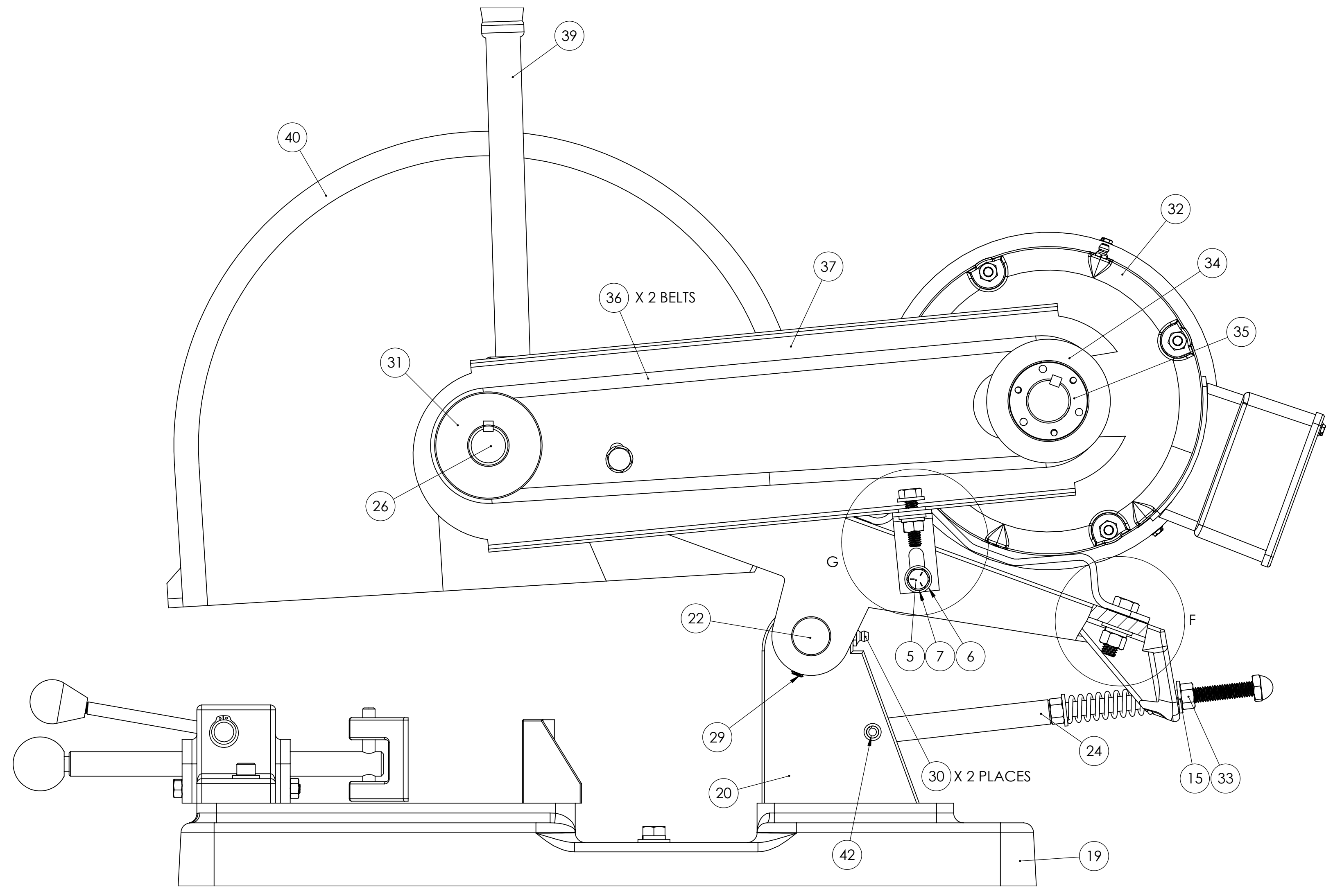
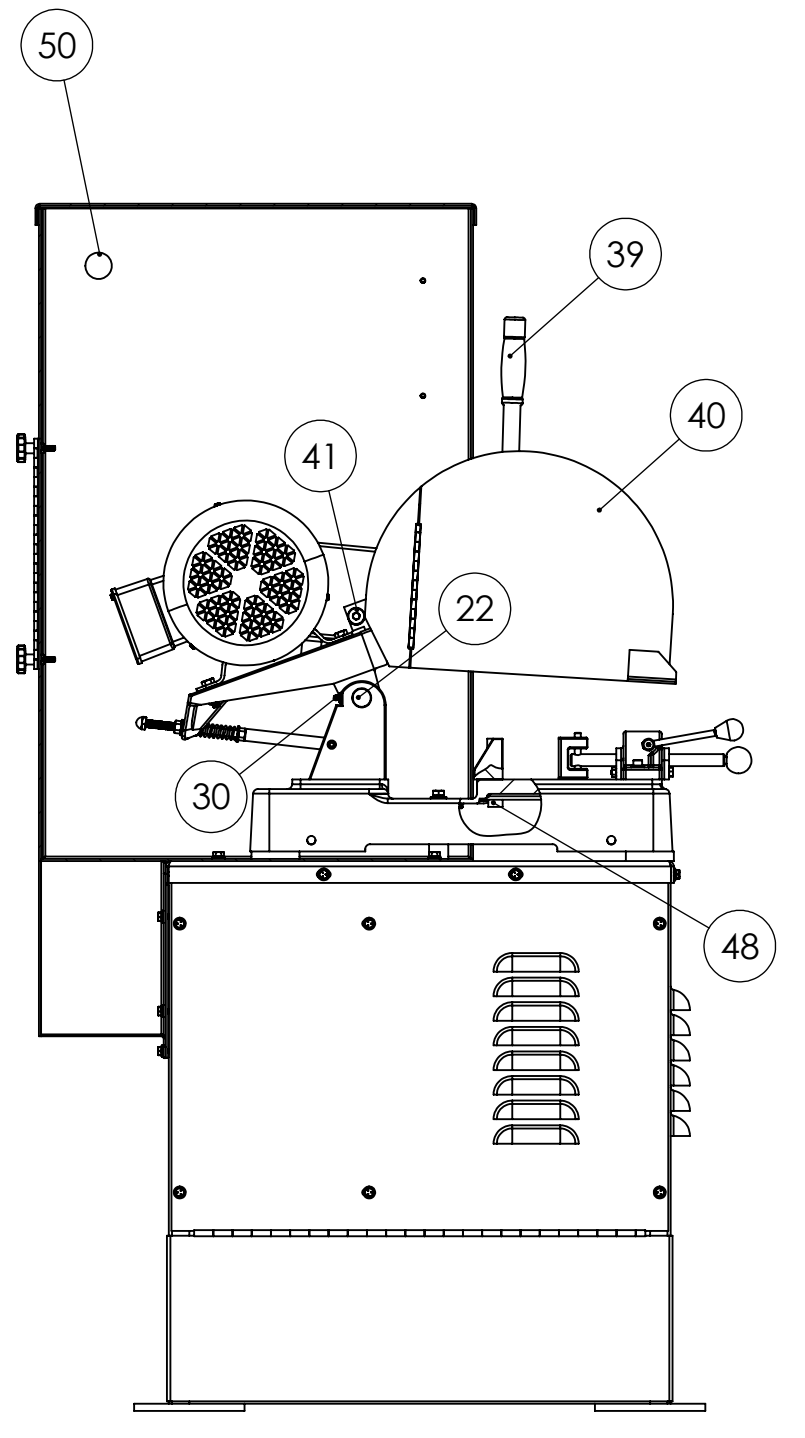
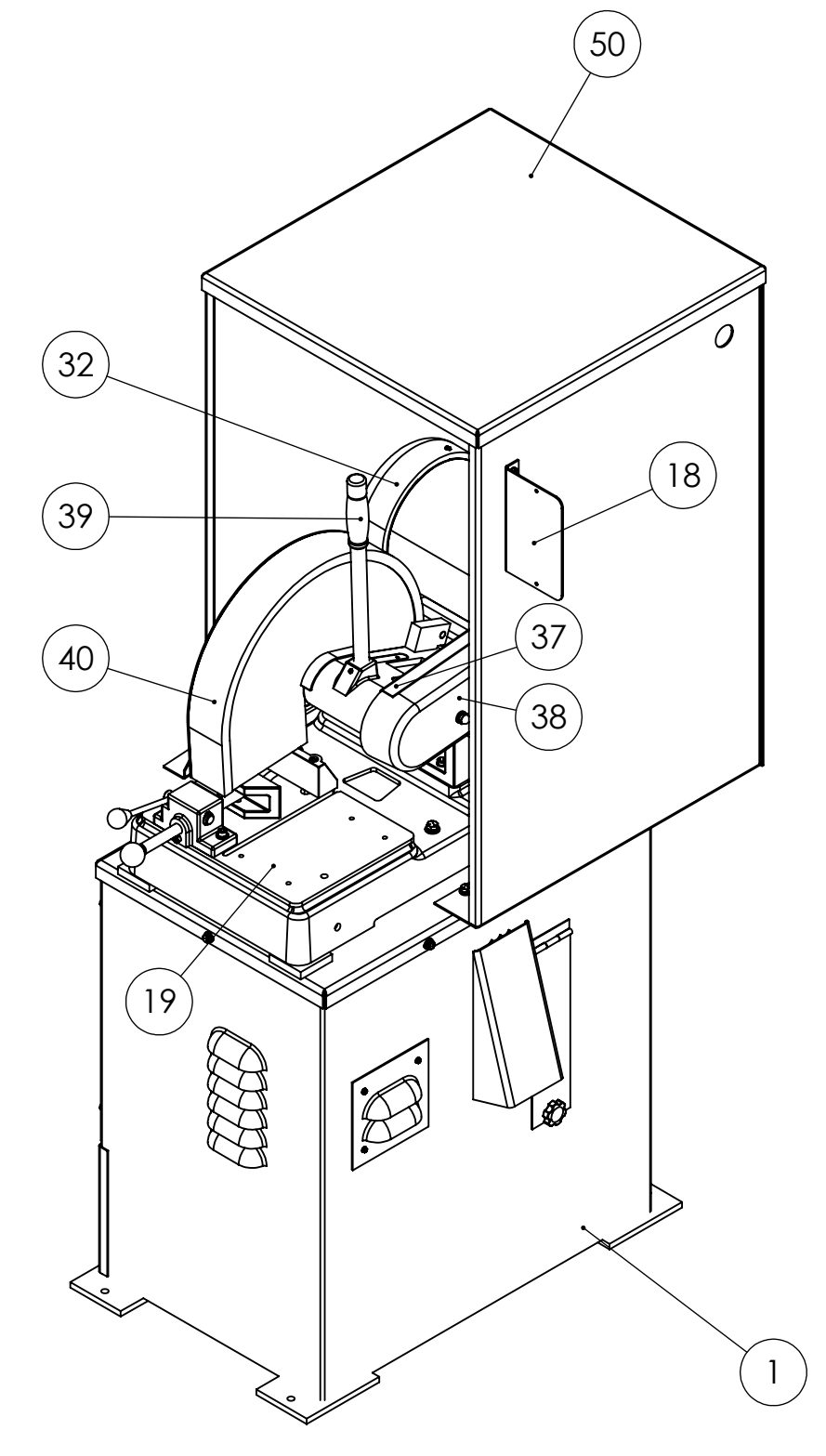


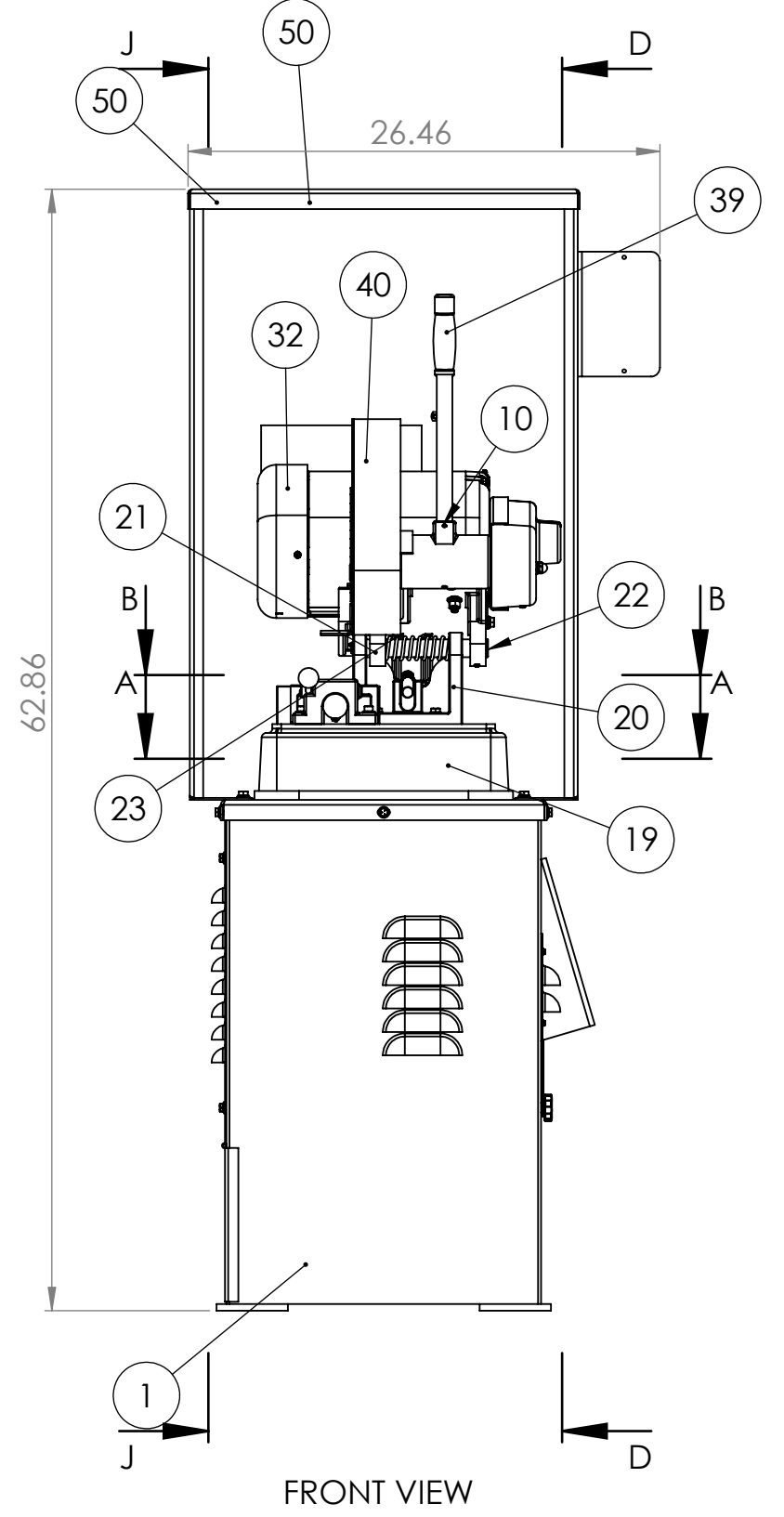
SECTION C-C
SCALE 1:2



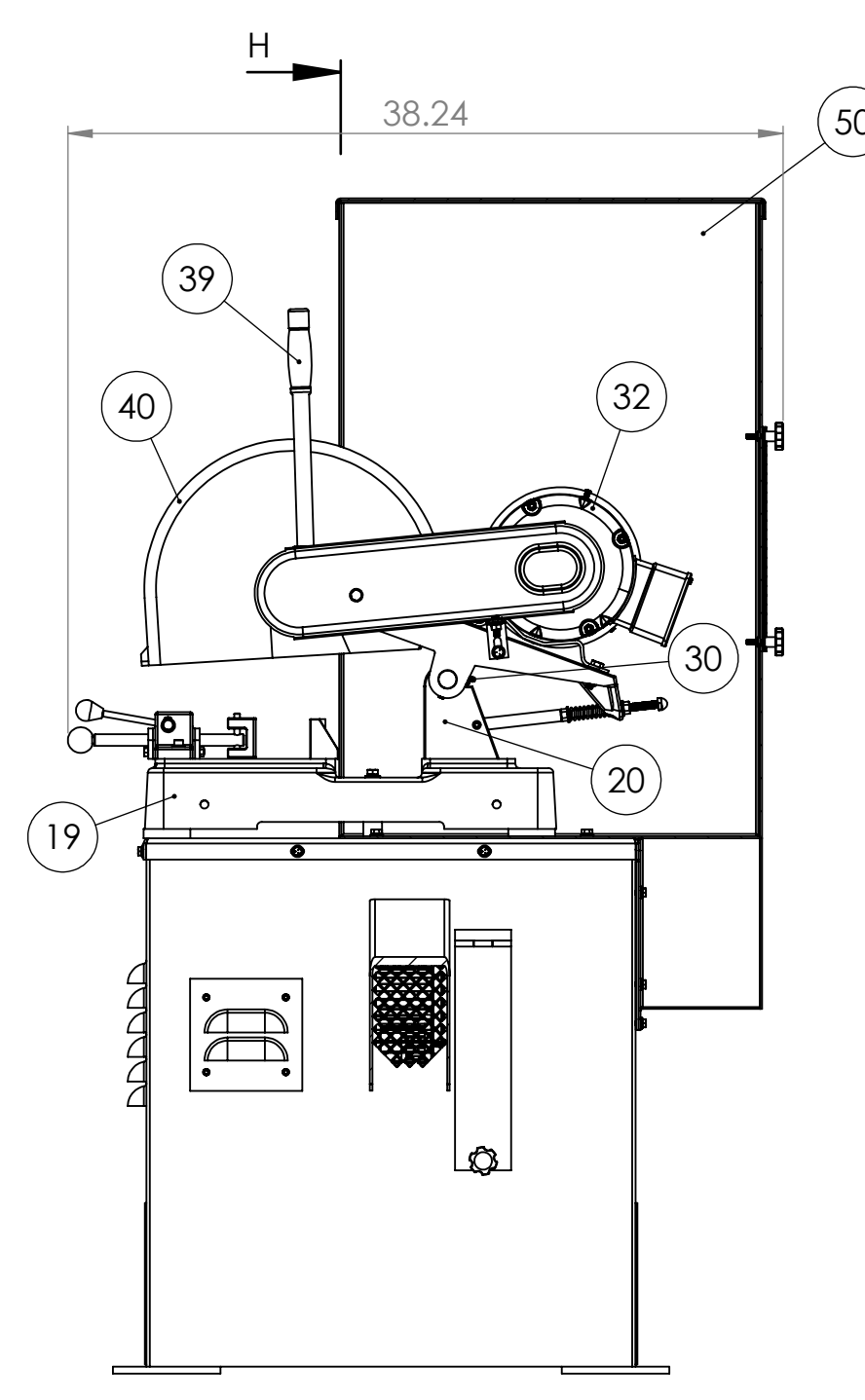
INTERNAL RIGHT SIDE VIEW



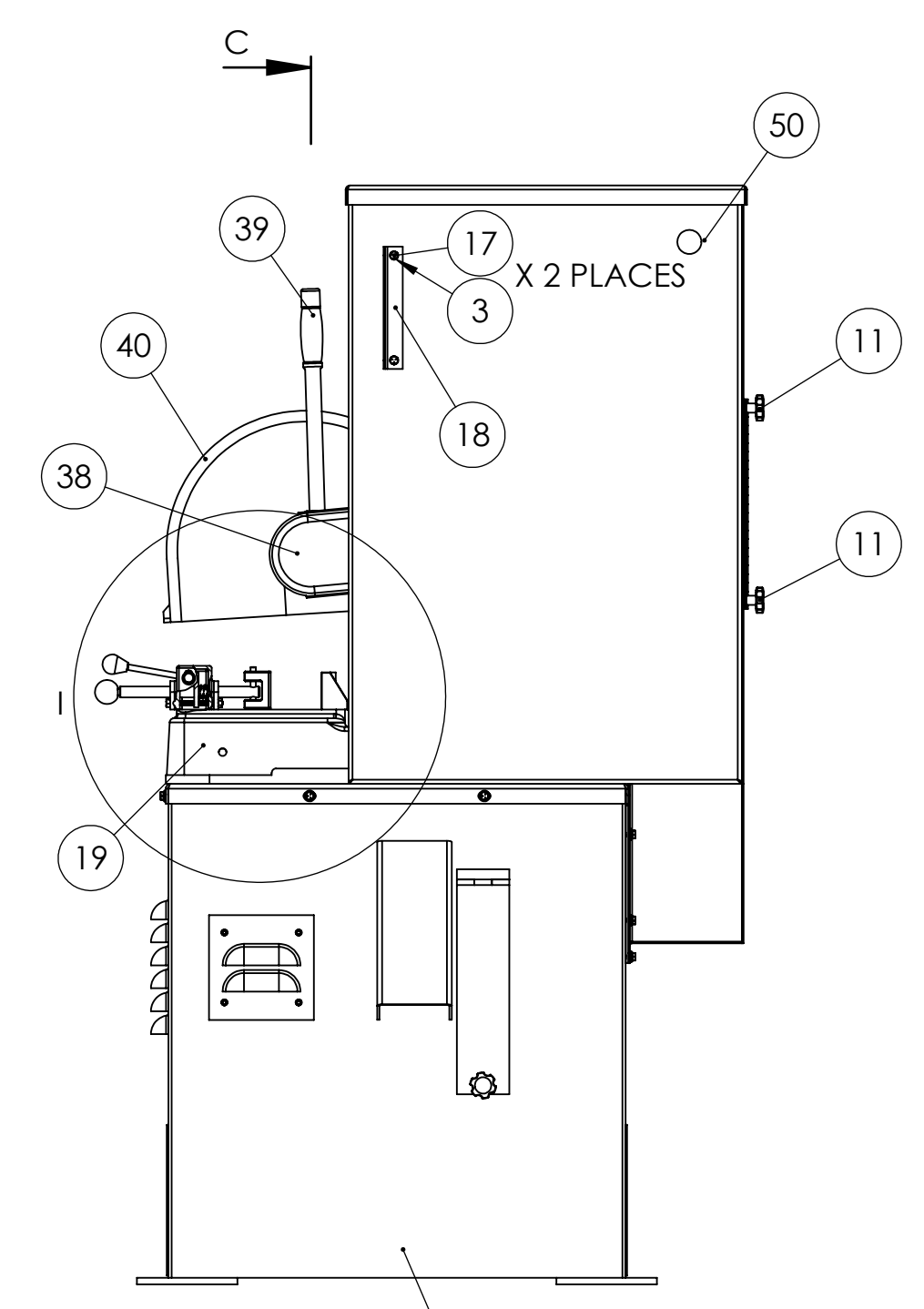
SECTION J-J
SCALE 1:10
INTERNAL LEFT VIEW



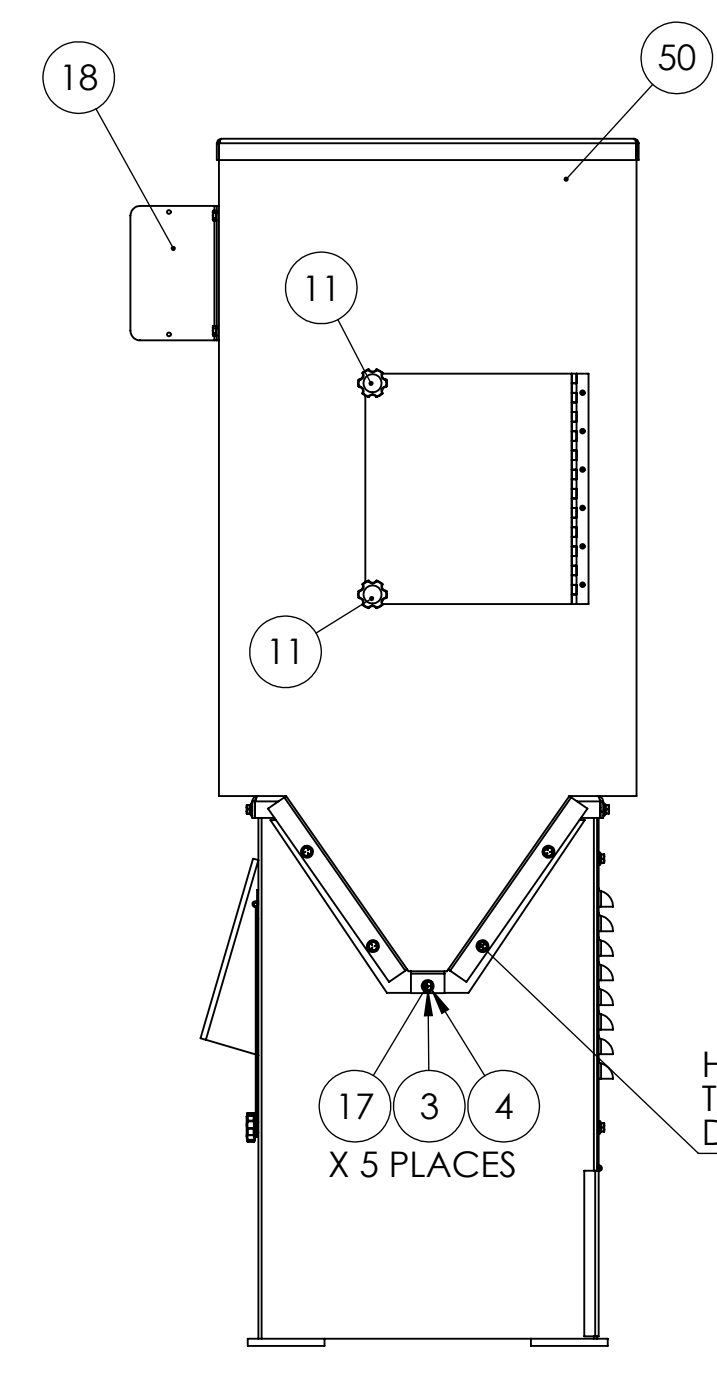
FRONT VIEW



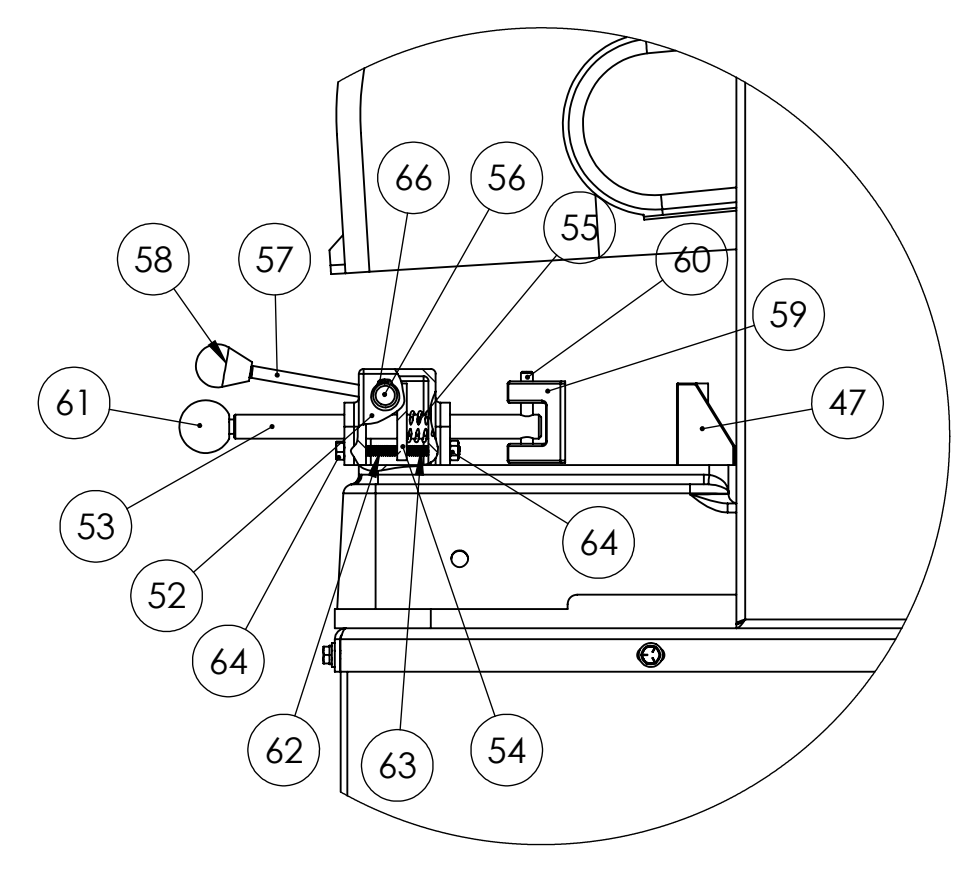
SECTION D-D
SCALE 1:10
INTERNAL RIGHT VIEW



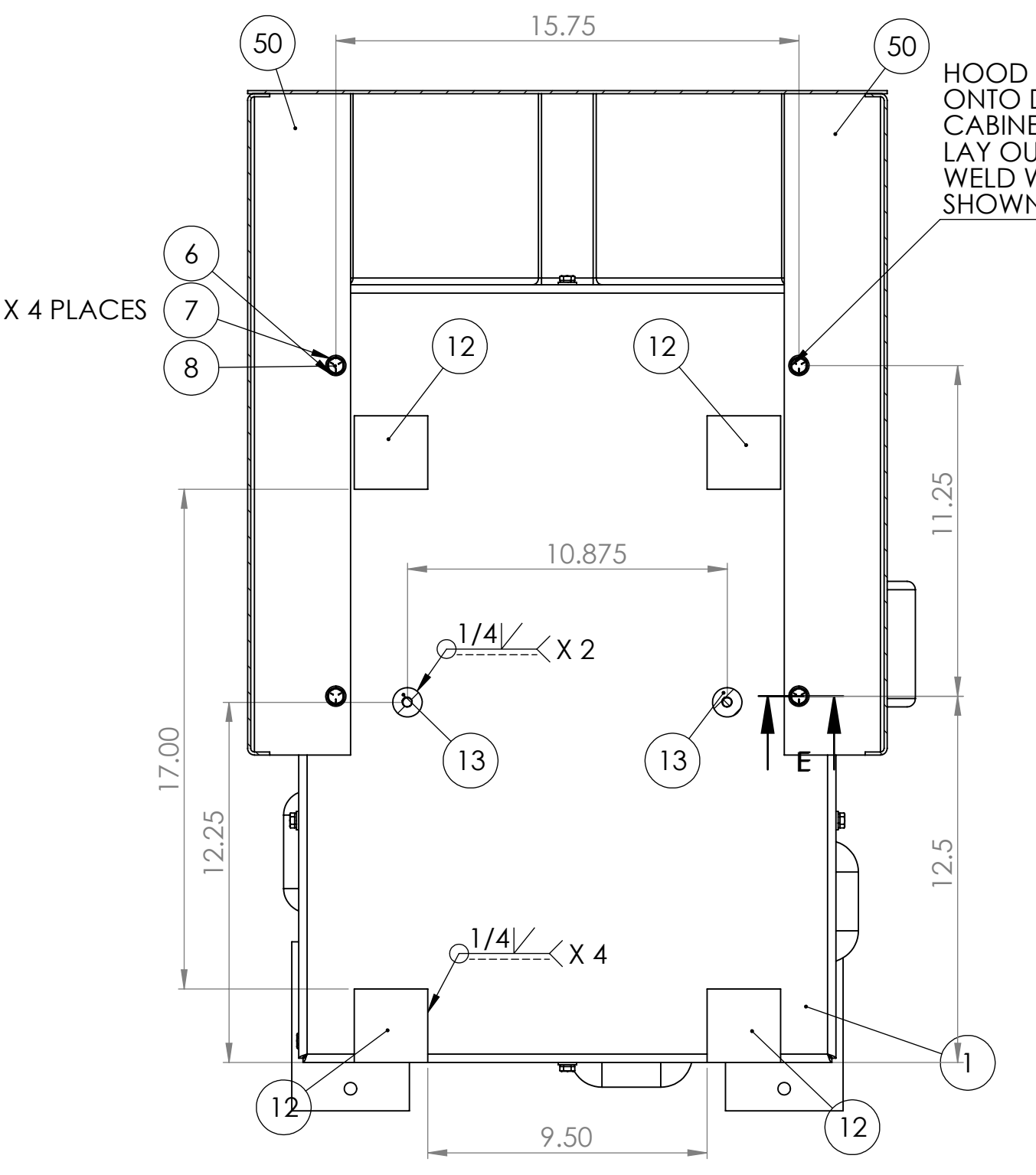
RIGHT VIEW



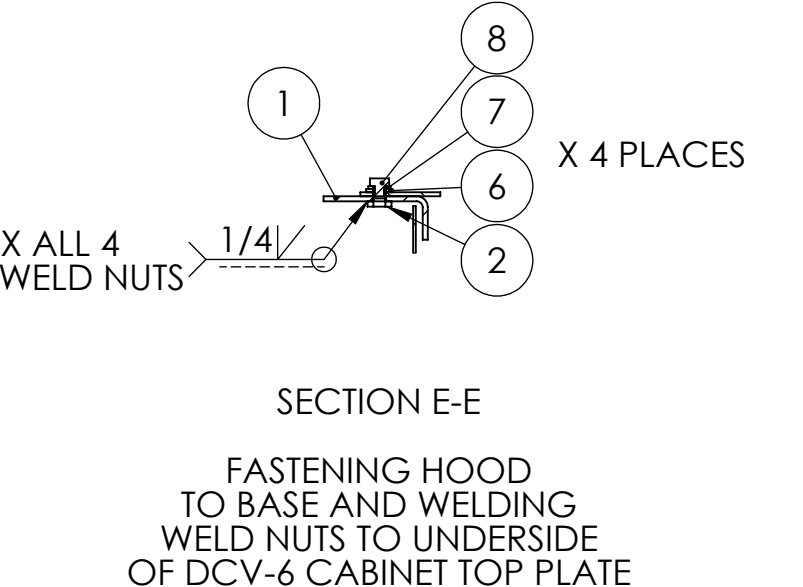
HOLES ARE DRILLED AND TAPPED IN DCV-6 CABINET DURING ASSEMBLY



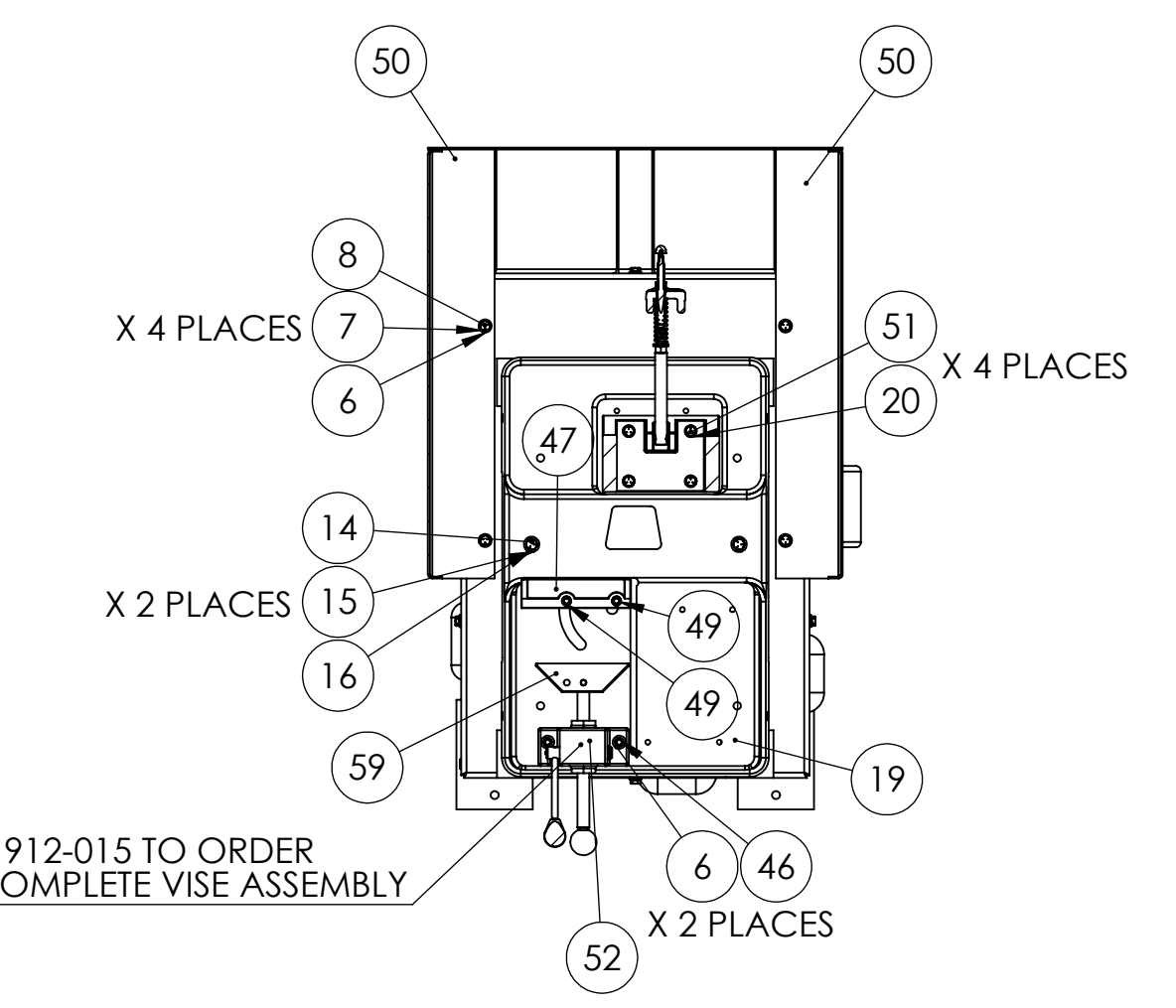
DETAIL I
VISE DETAILS



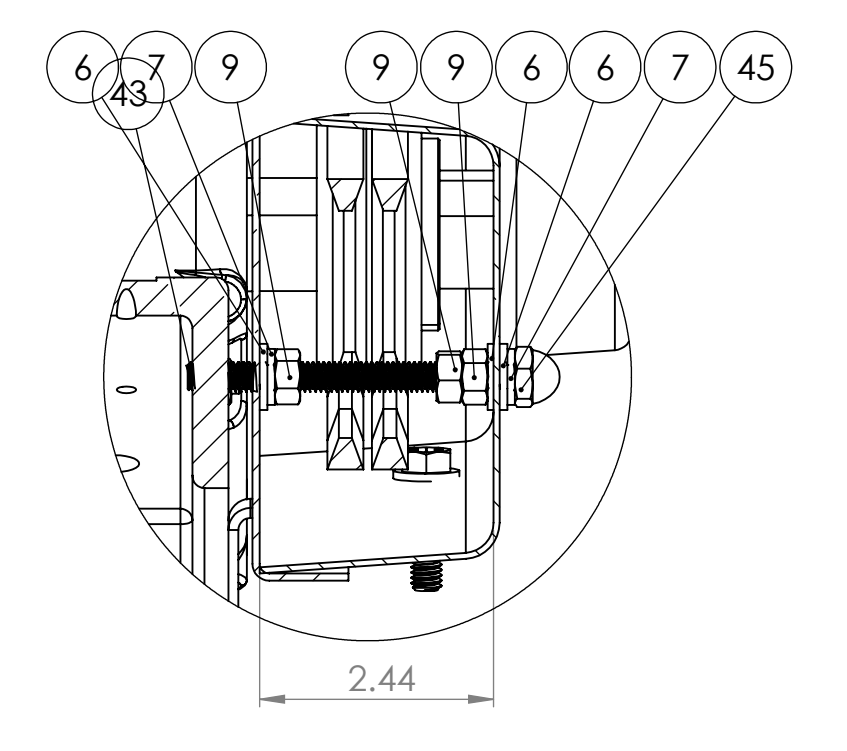
SECTION A-A
LAYOUT OF MODIFIED
DCV-6 CABINET TOP PLATE



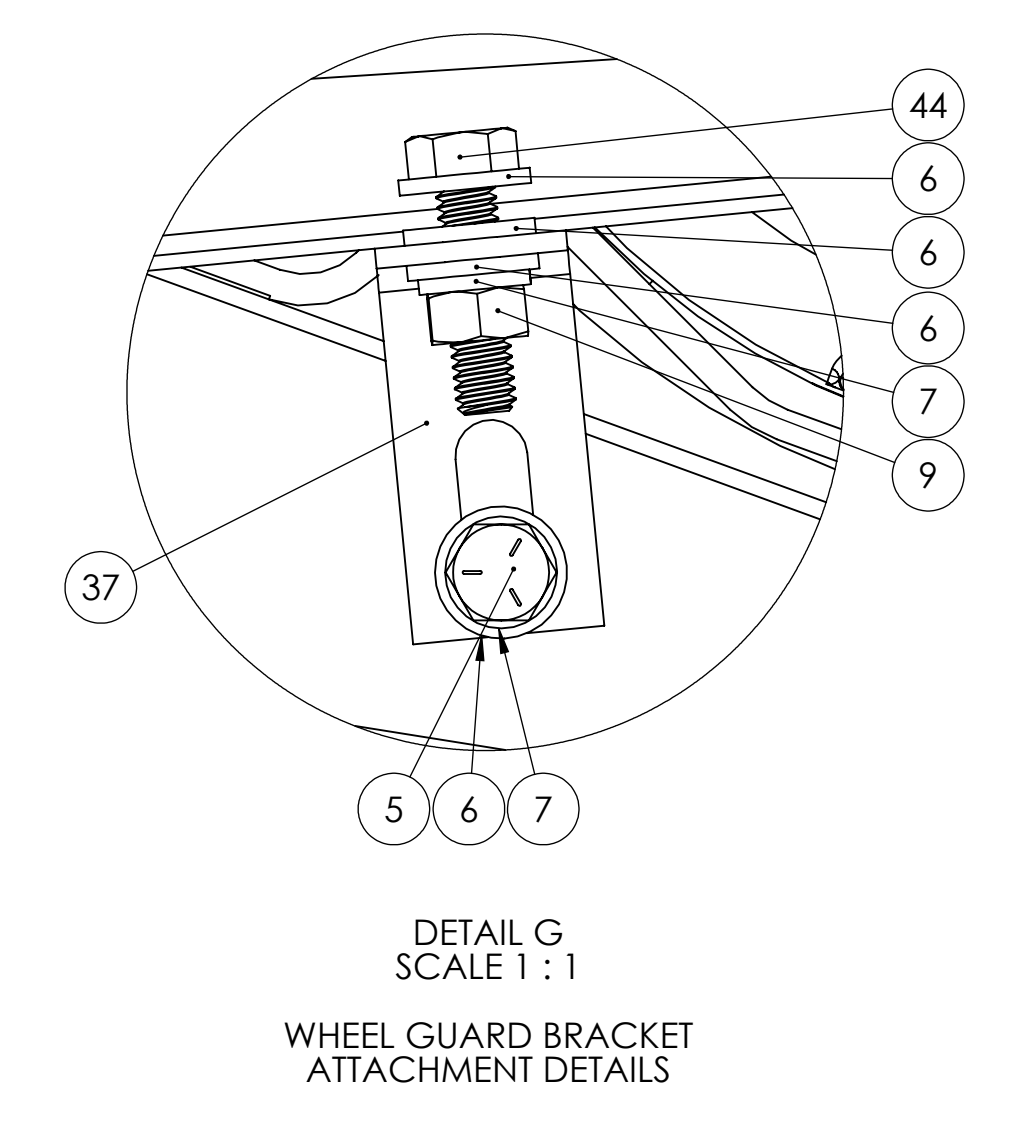
SECTION E-E
FASTENING HOOD TO BASE AND WELDING WELD NUTS TO UNDERSIDE OF DCV-6 CABINET TOP PLATE



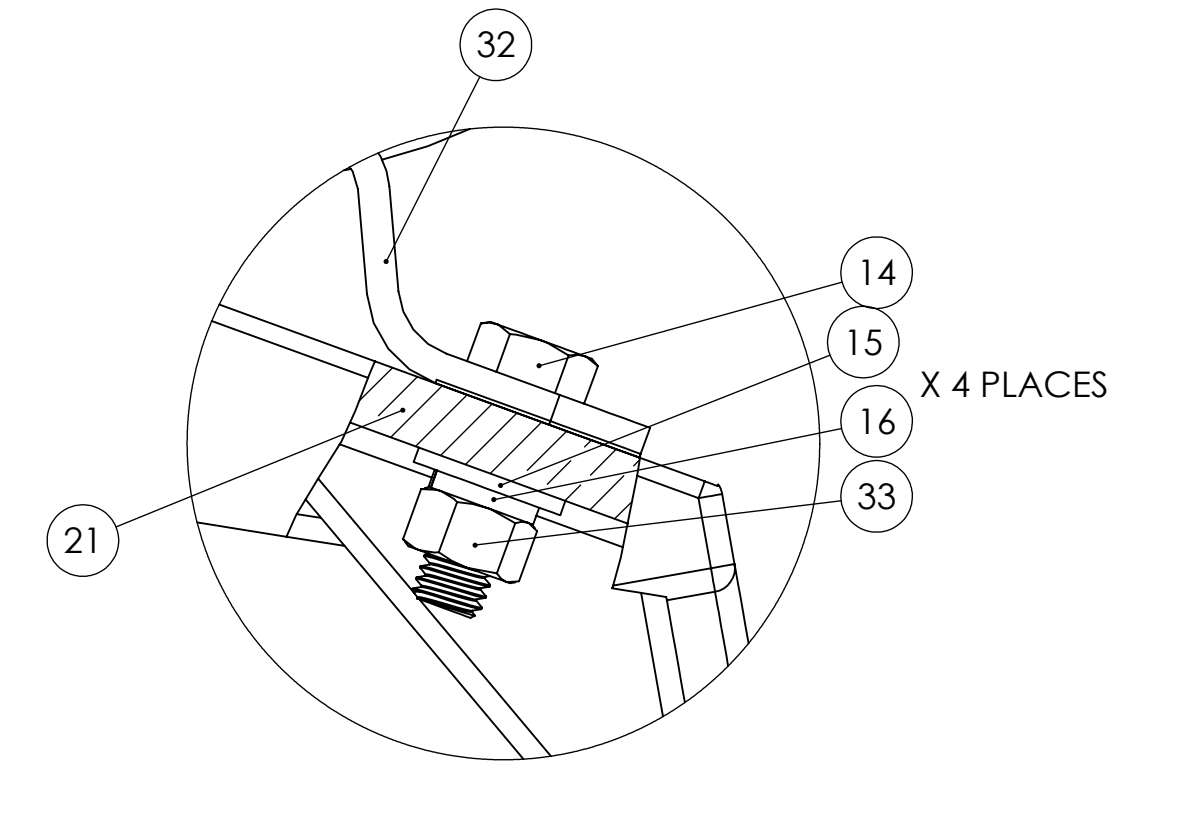
SECTION B-B
SCALE 1:10
TOP VIEW LAYOUT



SECTION H-H
SCALE 1:2
ATTACHMENT OF
PLASTIC OUTER WHEEL GUARD



DETAIL G
SCALE 1:1
WHEEL GUARD BRACKET
ATTACHMENT DETAILS



DETAIL F
SCALE 1:1
MOTOR MOUNT DETAILS

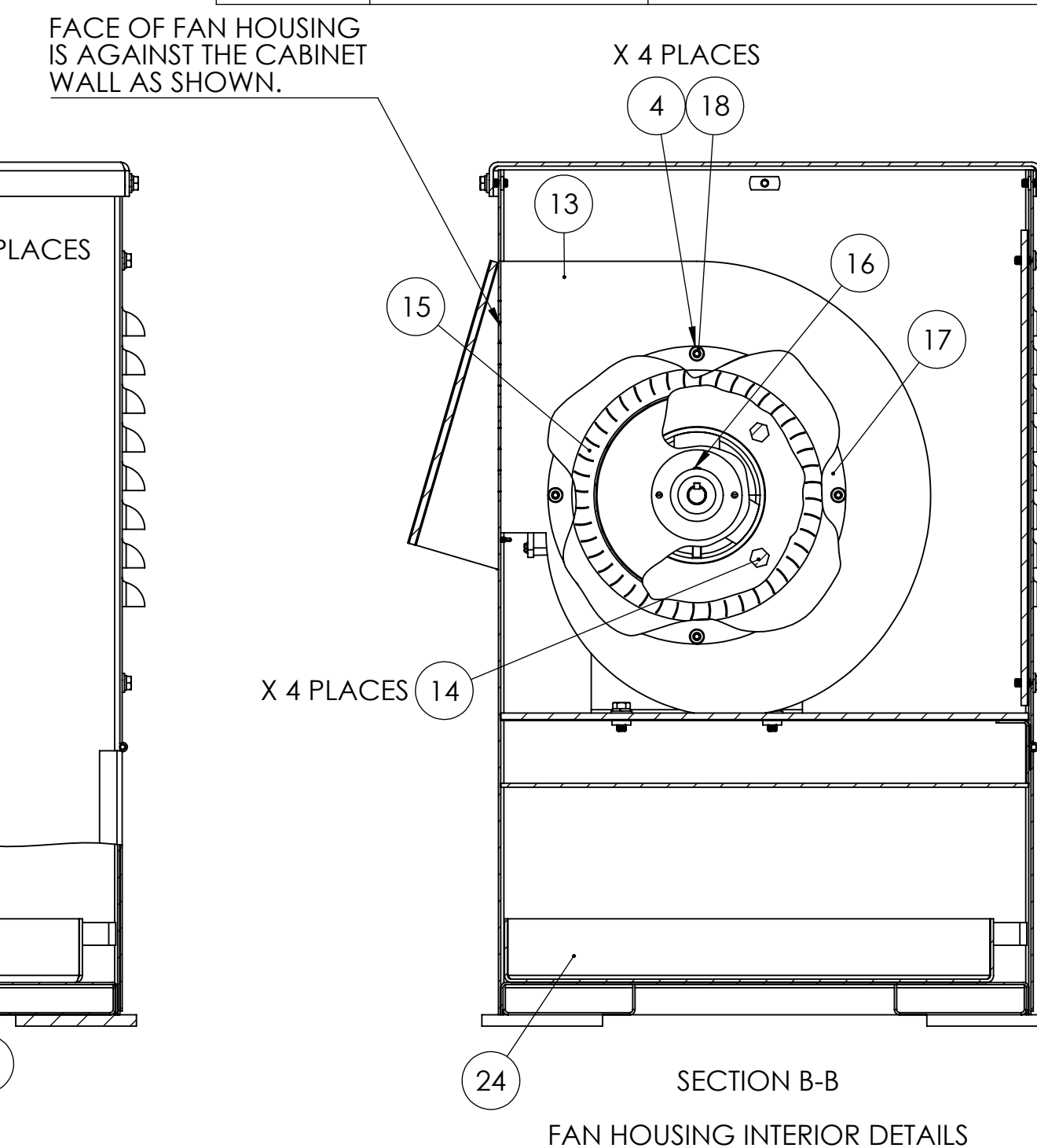
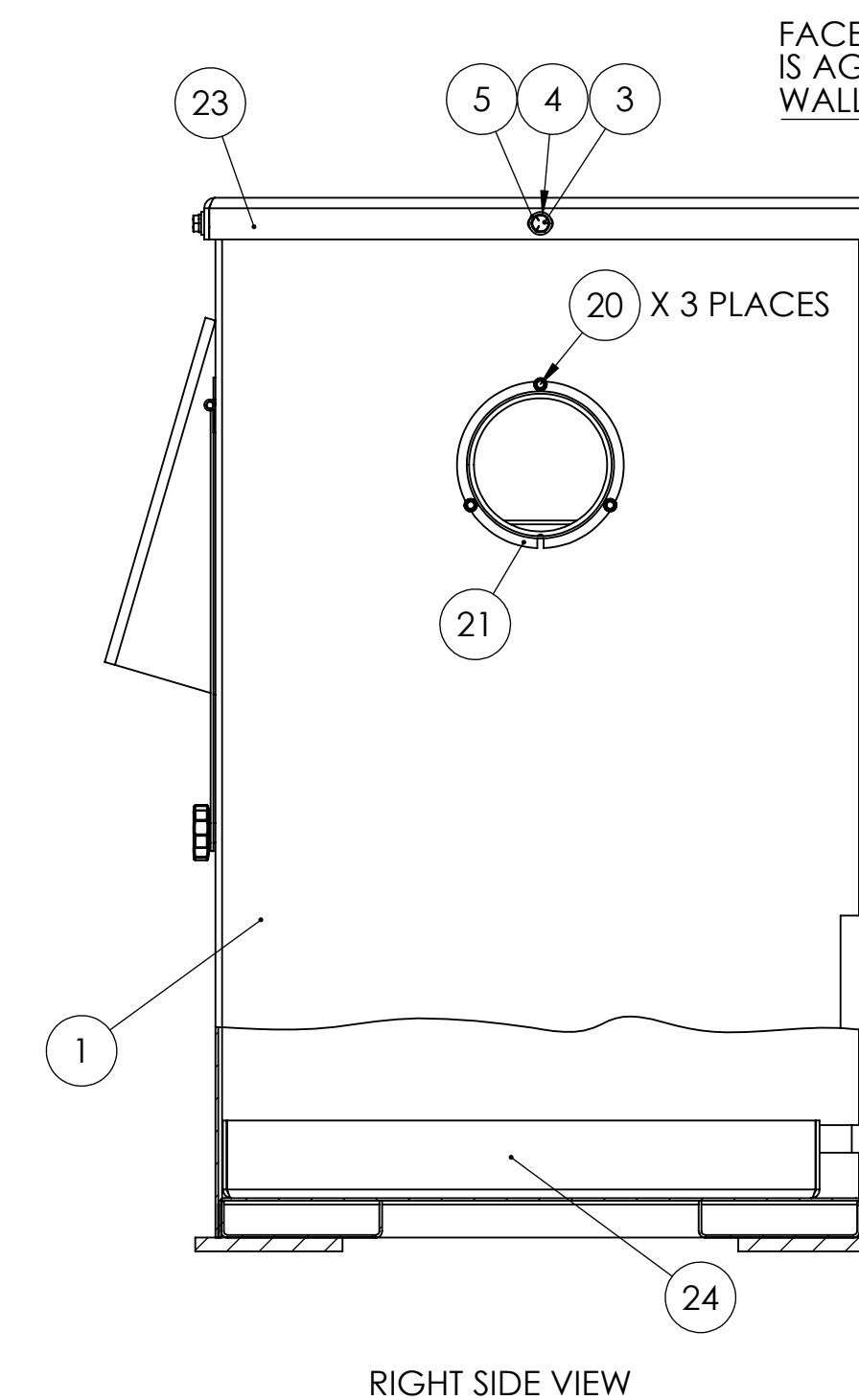
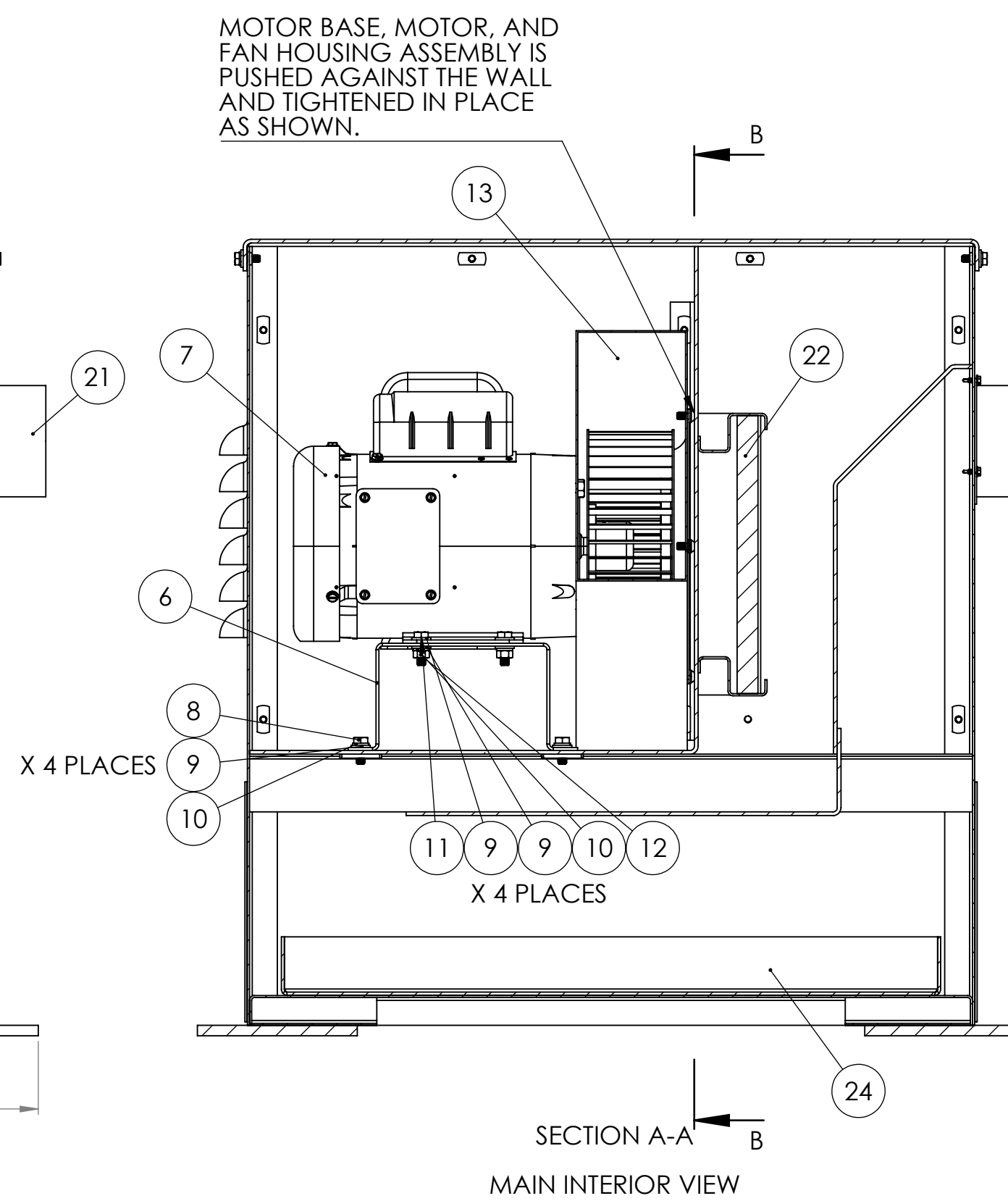
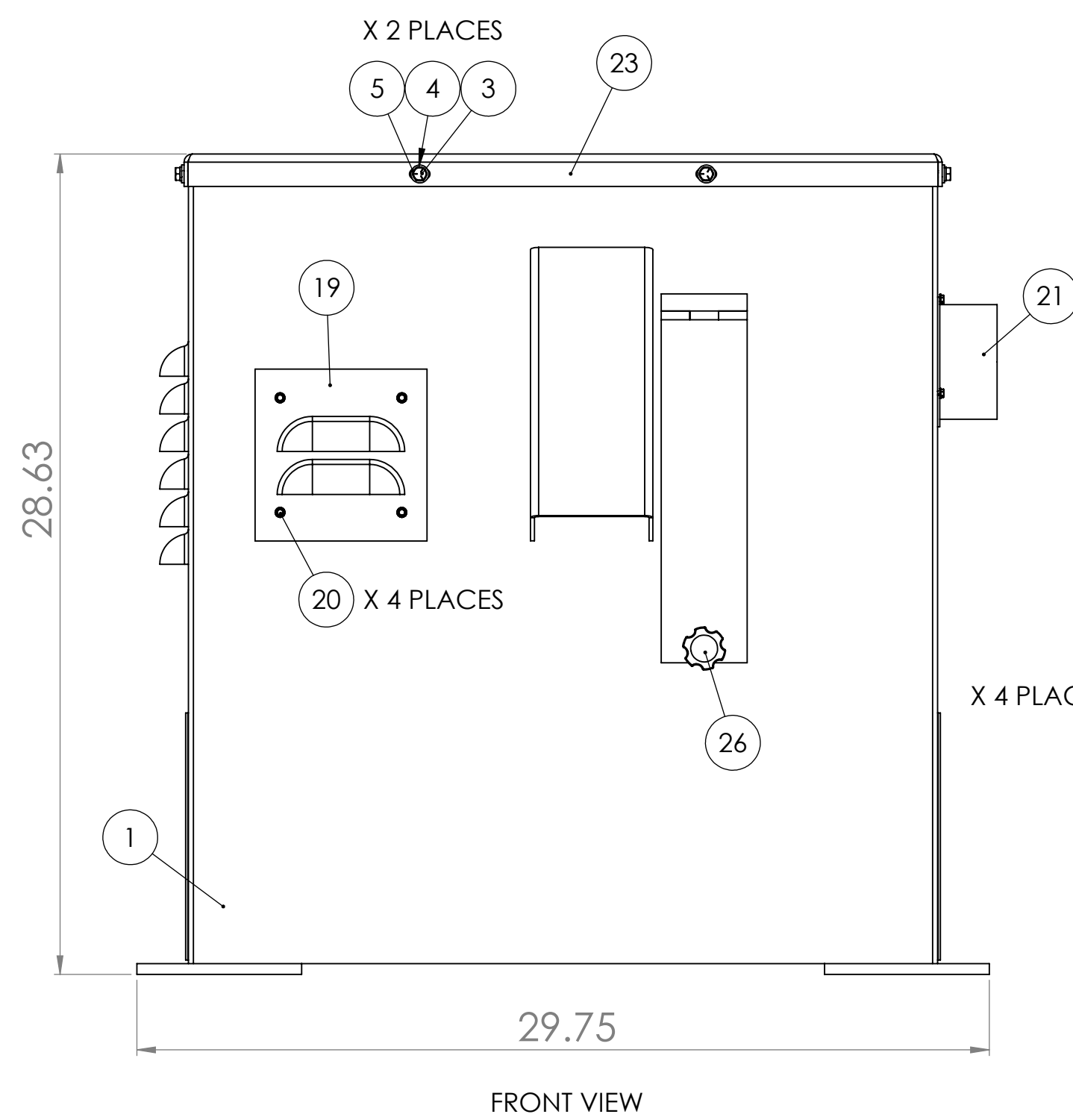
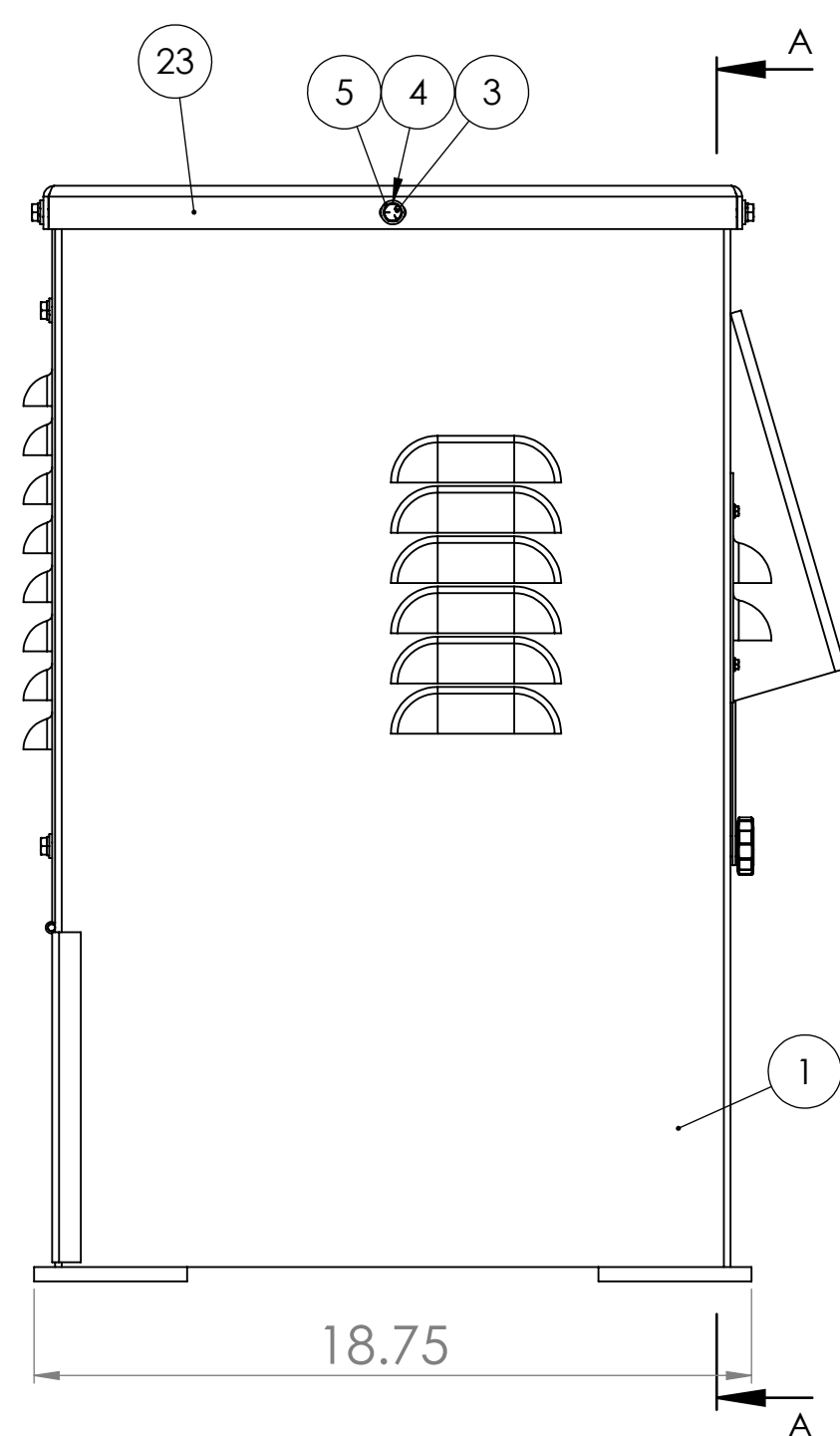
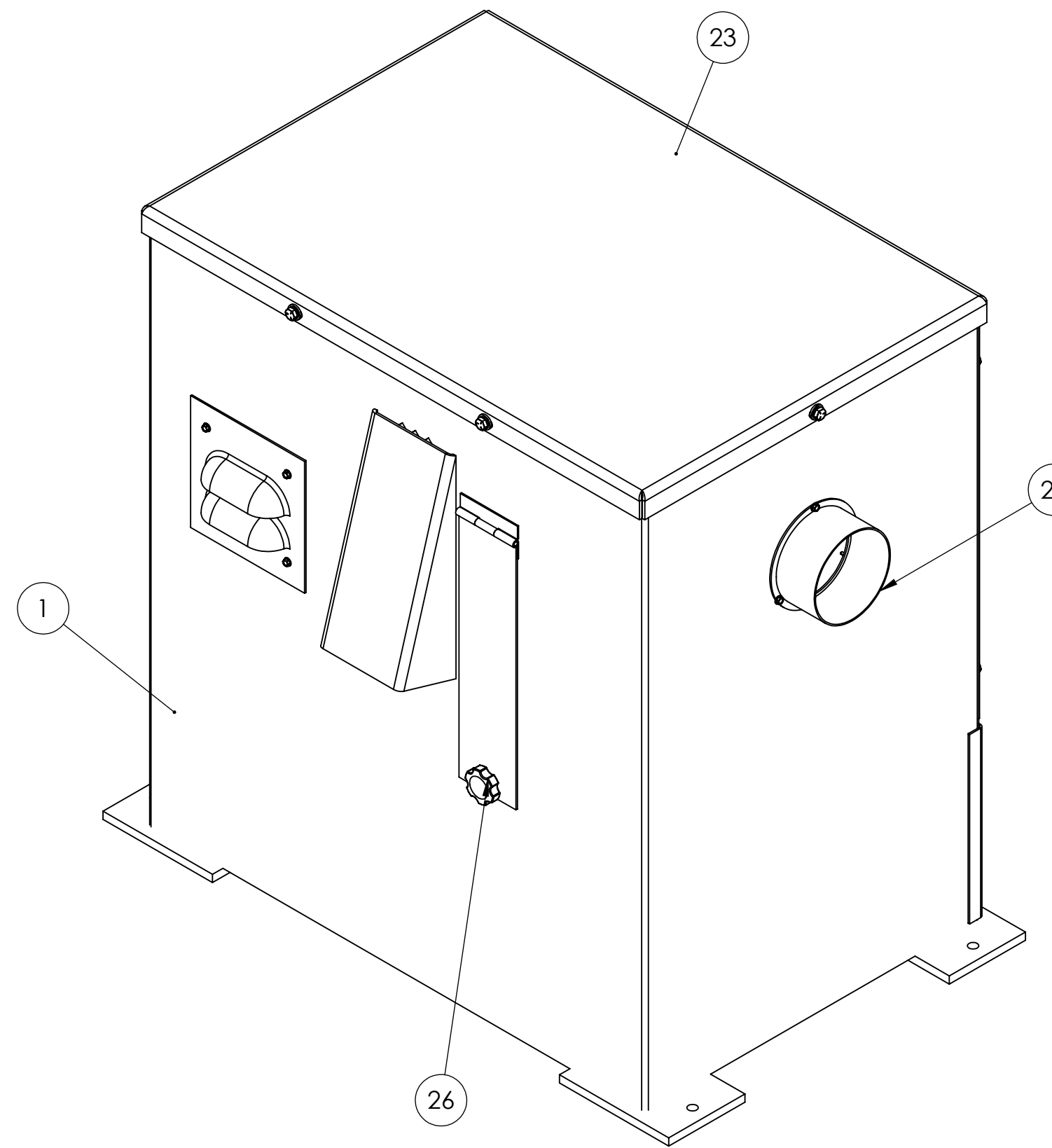
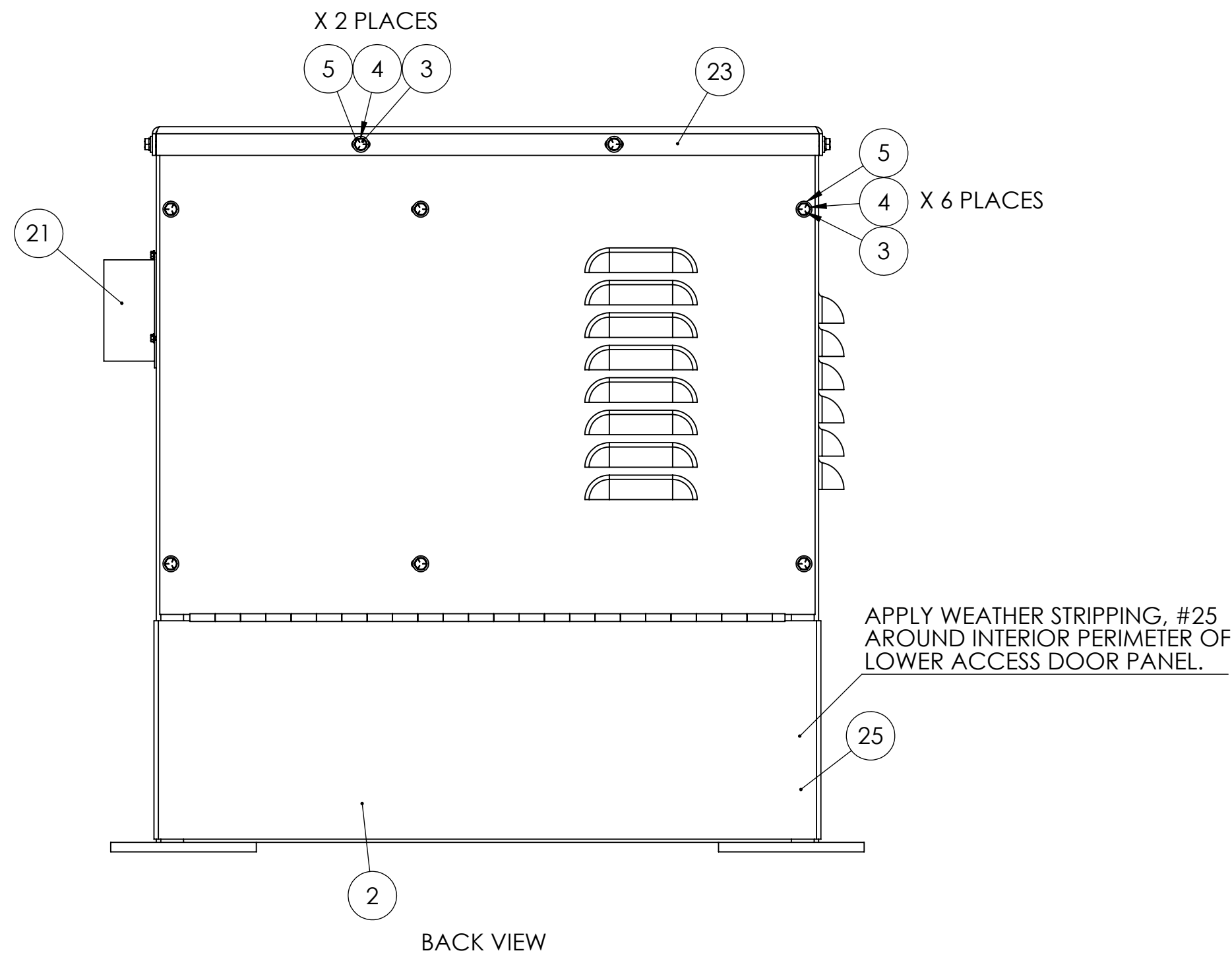
ITEM NO.	PART NUMBER	DESCRIPTION	QTY.
1	DCV-6	DCV-6 DUST COLLECTOR	1
2	BUCKND2724	5/16-18 DOUBLE TAP SPOTWELD NUT	4
3	SLWZ025	1/4 SPLIT L/W Z	7
4	UFWZ025	1/4 USS F/W Z	5
5	HHC5031012	5/16-18 X 3/4 HHCS GR5 Z	1
6	UFWZ031	5/16 USS F/W Z	13
7	SLWZ031	5/16 SPLIT L/W Z	12
8	HHC5031016	5/16-18 X 1 HHCS GR5 Z	4
9	FHN5031	5/16-18 FHN GR5 ZINC	4
10	SSKA025004	1/4-20 X 1/4 SOC SET KNURL PT.	3
11	441-015	907B-2500-1.00S 1/4 THUMBSCREW 1-1/2 DIA	2
12	124-006A	BLOCK WELDED TO MODIFIED DCV-6 VACUUM CABINET TOP	4
13	124-006B	STAND-OFF WELDED TO MODIFIED DCV-6 VACUUM CABINET TOP	2
14	HHC5037020	3/8-16 X 1-1/4 HHCS GR5 Z	6
15	UFWZ037	3/8 USS F/W Z	7
16	SLWZ037	3/8 SPLIT L/W Z	6
17	HHC5025008	1/4-20 X 1/2 HHCS GR5 Z	7
18	041-058	K12-14V SWITCH BRACKET, MOUNTED ON SIDE OF HOOD	1
19	050-002	K12-14 SAW BASE	1
20	041-003	K12-K14 TRUNNION	1
21	002-002	K12-14 SAW ARM	1
22	562-003	K12-14 TRUNNION PIN	1
23	697-024	SPRING, TENSION FOR BG260 S460, S6M SANDERS, K12-14B SAW, KS390, KS490, KS690 BELT GRINDERS	1
24	645-004	K12B-14B BACK STOP ASSEMBLY	1
25	044-001	K12 BEARING	2
26	701-002	SPINDLE W TIGHT FLANGE FOR K12B, K14B, K12-14W, KM14, K12-14MS	1
27	292-004	K12-14 LOOSE FLANGE	1
28	537-026	L.H. SPINDLE NUT 1"-14 FOR K14, KM14	1
29	SSKA031006	5/16-18 X 3/8 SOC SET KNURL PT.	1
30	ZERK012000	1/8-27 X 1 1/16 STRT LUBE FITTING	2
31	560-001	K12-14 SPINDLE PULLEY	1
32	486-001	5 HP MOTOR FOR K12B, K14B, KM14, KM14HS & S6MS-SHP	1
33	FHN5037	3/8-16 FHN GR5 Z	5
34	560-002	MOTOR PULLEY SHEAVE FOR K12-14B, K12-14W, K12-14MS AND KM14	1
35	049-022	MOTOR PULLEY BUSHING FOR K12B, K14B AND KM14	1
36	051-006	V-BELT (TWO REQUIRED) FOR K12, K14, KM14 SAWS (SAME AS 591-009)	2
37	342-086	K12-14 INNER BELT GUARD ASSEMBLY FOR PLASTIC GUARD	1
38	342-004	K12-14 OUTER BELT GUARD/PLASTIC	1
39	381-002	HANDLE W GRIP FOR K12-14 SAWS	1
40	342-025	WHEEL GUARD FOR K12-14B SAWS	1
41	SSBA062044	5/8 X 2-3/4 SOC SHOULDER BOLT	1
42	ROLA031024	5/16 X 1-1/2 ROLL PIN	1
43	RND-0.31-18THRDX3.75	3-3/4 INCHES OF 5/16-18 THREADED ROD	1
44	HHC5031020	5/16-18 X 1-1/4 HHCS GR 5 Z	1
45	CPN2031	5/16-18 CAP NUT NICKEL	1
46	SHCA031024	5/16-18 X 1-1/2 SHCS	2
47	431-002	K10-14 REAR VISE JAW	1
48	537-014	K10-14 FENCE NUT	1
49	SHCA031048	5/16-18 X 3 SHCS	2
50	124-012	HOOD ASSEMBLY FOR DCV-6 DUST COLLECTOR	1
51	HHC5031024	5/16-18 X 1-1/2 HHCS GR5 Z	4
52	386-001	K10-16 VISE HOUSING	1
53	645-001	K10-16 SHORT VISE ROD	1
54	454-001	K10-16 VISE CAM PLATE	1
55	697-001	K10-16 VISE ROD SPRING	1
56	129-001	K10-16 VISE CAM	1
57	381-001	K10-16 VISE HANDLE	1
58	441-002	K10-16 VISE LOCK HANDLE KNOB	1
59	431-001	FRONT VISE JAW K10, K14, KM14	1
60	562-001	VISE JAW PIN FOR K10B, K12B, K14B, KM16-18 VISE ASSEMBLIES	1
61	441-001	K10-16 VISE ROD KNOB	1
62	SSSA025024	1/4-20 X 1-1/2 SOC SET CUP PT.	1
63	SSSA025022	1/4-20 X 1-3/8 SOC SET CUP PT.	1
64	FHN5025	1/4-20 FHN GR5 Z	2
65	SSKA010004	10-24 X 1/4 SOC SET KNURL PT	1
66	641-016	RETAINING RING FOR S6, S460W, S612	1

UNLESS OTHERWISE SPECIFIED:
DIMENSIONS ARE IN INCHES
TOLERANCES:
FRACTIONS ± .005
DECIMALS ± .005
THREE PLACE DECIMAL ± .001
ANGLE ± .005
HOLE POSITION ± .005
HOLE SIZE ± .005
HOLE LOCATION ± .005
HOLE DEPTH ± .005
HOLE TAPER ± .005
HOLE SURFACE ± .005
HOLE FINISH ± .005
HOLE TOLERANCE ± .005
HOLE POSITION TOLERANCE ± .005
HOLE LOCATION TOLERANCE ± .005
HOLE DEPTH TOLERANCE ± .005
HOLE TAPER TOLERANCE ± .005
HOLE SURFACE TOLERANCE ± .005
HOLE FINISH TOLERANCE ± .005

PROFESSIONAL CONFIDENTIAL
THIS DRAWING IS THE PROPERTY OF KALAMAZOR TOOL COMPANY AND IS NOT TO BE REPRODUCED OR COPIED IN ANY MANNER WITHOUT THE WRITTEN PERMISSION OF KALAMAZOR TOOL COMPANY.

DATE: 10/15/14
DRAWN BY: J. H. HARRIS
CHECKED BY: J. H. HARRIS
ENG APPR: J. H. HARRIS
MFG APPR: J. H. HARRIS
G.D.A.
COMMENTS:

TITLE: K12-14 WITH DCV-6 VACUUM AND HOOD
SCALE: 1:5 WEIGHT: SHEET 1 OF 1



ITEM NO.	PART NUMBER	DESCRIPTION	QTY.
1	124-005	CABINET FOR DCV-6 DUST COLLECTOR	1
2	124-005-BACKPANEL	BACK PANEL ASSEMBLY FOR DCV-6 CABINET	1
3	HHC5025012	1/4-20 X 3/4 HHCS GR5 Z	12
4	SLWZ025	1/4 SPLIT L/W Z	16
5	UFWZ025	1/4 USS F/W Z	12
6	041-015	DCV-6 VACUUM MOTOR MOUNT BRACKET	1
7	486-002	1 HP MOTOR FOR 2FSM-1HP, 2FS72M-1HP, S272, S45-1HP, S45WB, S460D, BG272, DCV-6, DCV-8	1
8	HHC5031012	5/16-18 X 3/4 HHCS GR5 Z	4
9	UFWZ031	5/16 USS F/W Z	12
10	SLWZ031	5/16 SPLIT L/W Z	8
11	HHC5031016	5/16-18 X 1 HHCS GR5 Z	4
12	FHN5031	5/16-18 FHN GR5 ZINC	4
13	386-026	HOUSING FAN FOR DCV-6	1
14	HHC5037016	3/8-16 X 1 HHCS GR5 Z	4
15	296-001	FAN, SQUIRREL CAGE FOR DCV-6	1
16	SSKA025004	1/4-20 X 1/4 SOC SET KNURL PT.	1
17	004-005	ADAPTOR, INLET CONE FOR DCV-6	1
18	BSCA025008	1/4-20 X 1/2 BSHCS	4
19	455-018	SMALL LOUVER PANEL FOR DCV-6 DUST COLLECTOR	1
20	HWTZ008008	#8 X 1/2 HWH TEKS Z	7
21	342-069B	4" ORIFACE W/ FLANGE FOR 6" SANDER GUARDS	1
22	294-003	FILTER FOR DCV-6	1
23	124-006	VACUUM CABINET TOP FOR DCV-6	1
24	834-002	DUST TRAY FOR DCV-6	1
25	933-001 X 65 INCHES	65 INCHES OF WEATHER STRIPPING AROUND CABINET LOWER ACCESS DOOR	1
26	441-015	907B-2500-1.00S 1/4 THUMBSCREW 1-1/2 DIA	1

PROPRIETARY AND CONFIDENTIAL
 THE INFORMATION CONTAINED IN THIS DRAWING IS THE SOLE PROPERTY OF KALAMAZOO INDUSTRIES, INC. ANY REPRODUCTION IN PART OR AS A WHOLE WITHOUT THE WRITTEN PERMISSION OF KALAMAZOO INDUSTRIES, INC. IS PROHIBITED.

UNLESS OTHERWISE SPECIFIED:		NAME	DATE
DIMENSIONS ARE IN INCHES	FRACTIONAL ±	DRAWN	
ANGULAR ±	TWO PLACE DECIMAL ±	CHECKED	
BEND ±	TWO PLACE DECIMAL ±	ENG APPR.	
	THREE PLACE DECIMAL ±	MFG APPR.	
INTERPRET GEOMETRIC TOLERANCING PER:		Q.A.	
MATERIAL		COMMENTS:	
FINISH			
APPLICATION	DO NOT SCALE DRAWING		

TITLE: **DCV-6 DUST COLLECTOR**

SIZE DWG. NO. **D DCV-6** REV

SCALE: 1:5 WEIGHT: SHEET 1 OF 1