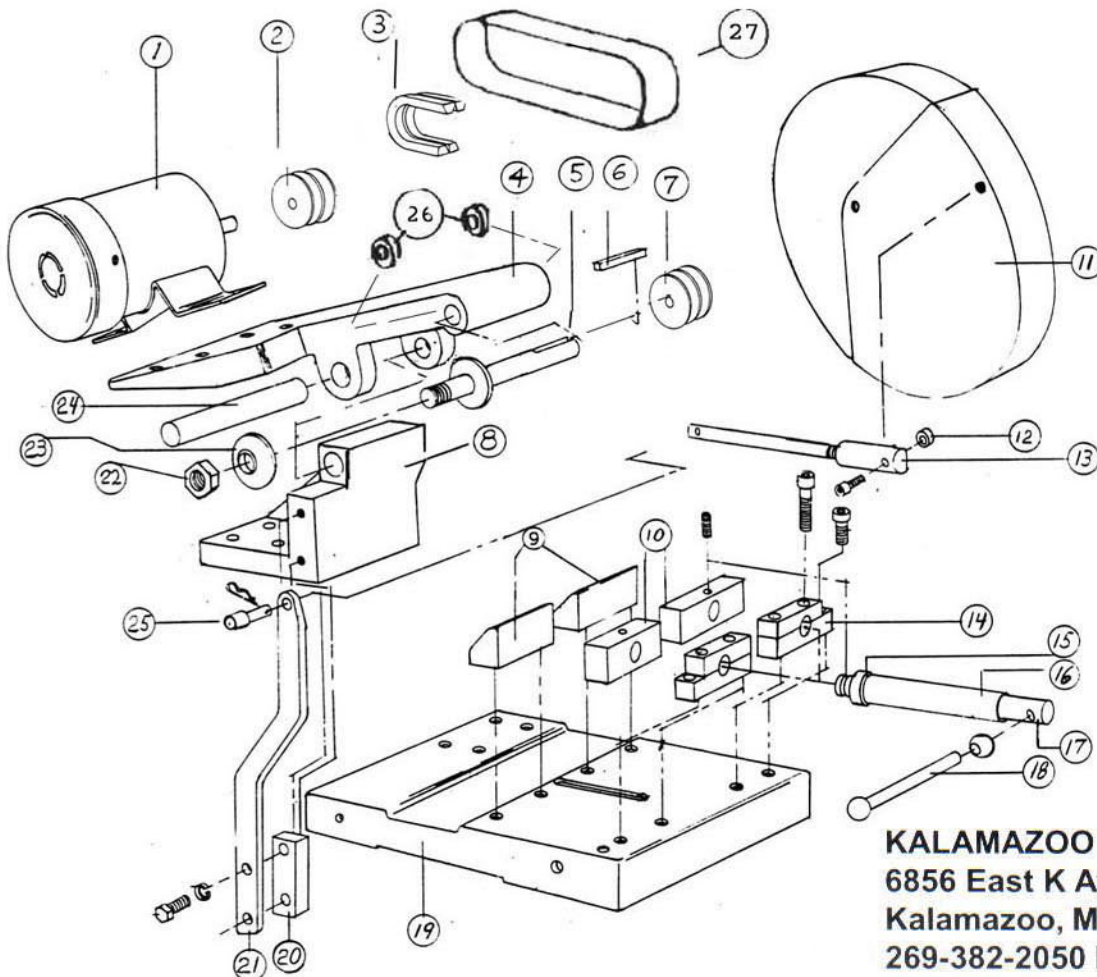


HS-14 series

ITEM	PART NUMBER	DESCRIPTION	QUANTITY
1.	486-001	3 ph. 3450 RPM 5 H.P. MOTOR	1
	486-024	3 ph. 1725 rpm motor (Dry cut DC)	
2.	560-031	DRIVE PULLEY	1
3.	051-009	V-BELT	2
4.	002-002M	SAW ARM	1
5.	701-002	SPINDLE W/ FLANGE	1
6.		KEY	1
7.	560-001	SPINDLE PULLEY	1
8.	833-022	TRUNNION	1
9.	431-002	REAR VISE JAW	2
10.	431-020	FRONT VISE JAW	2
11.	342-072	CLAM SHELL GUARD	1
12.		BUSHING	1
13.	151-001	CLEVIS	1
14.	053-032	VISE BLOCK	2
15.	537-020	COLLAR	2
16.	832-020	VISE TUBE	2
17.	696-026	VISE SCREW	2
18.	381-020	HANDLE W/KNOB	2
19.	050-002	BASE	1
20.	699-032	SPACER BLOCK	1
21.	455-007	LEVER, GUARD	1
22.	537-026	SPINDLE NUT	1
23.	292-004	LOOSE FLANGE	1
24.	562-003	TRUNNION PIN	1
25.		CLEVIS PIN	1
26.	044-001	bearings	2
27.	342-004	belt guard	1



KALAMAZOO INDUSTRIES, INC.
 6856 East K Avenue
 Kalamazoo, MI 49048
 269-382-2050 PH
 269-382-0790 FAX
www.kalamazooindustries.com