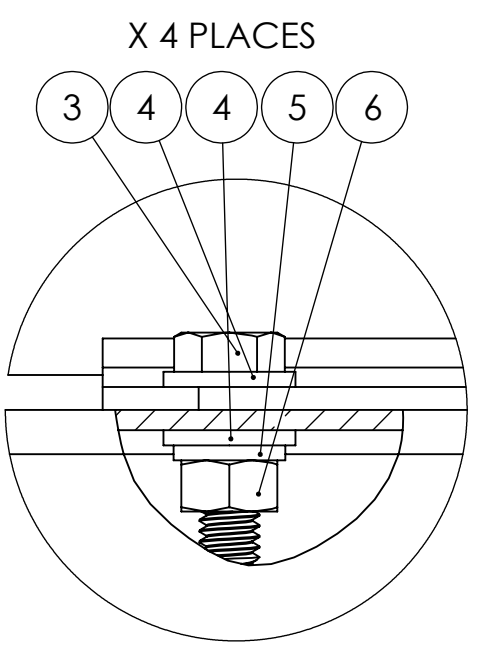
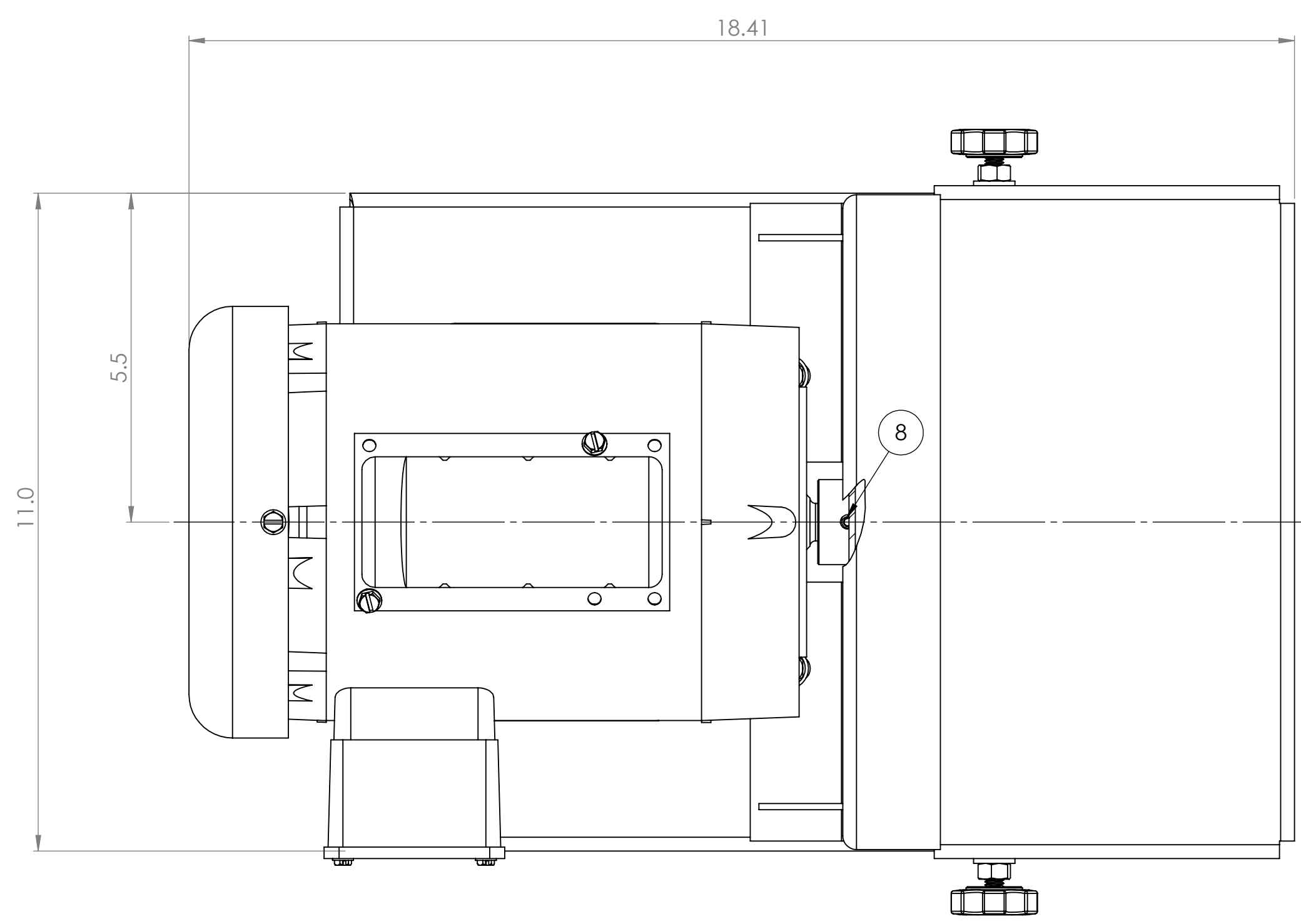
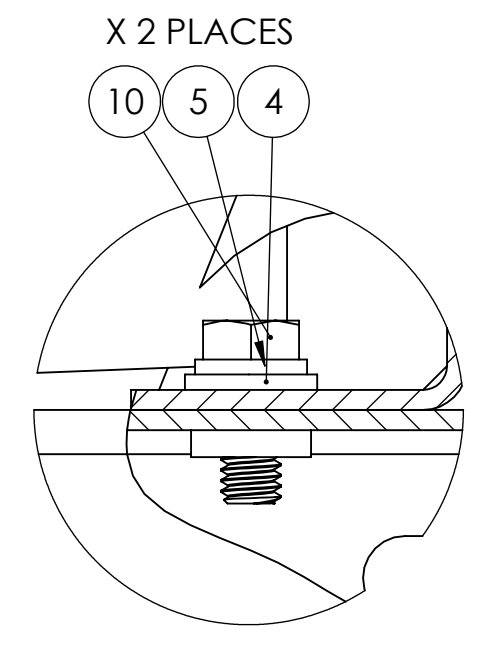


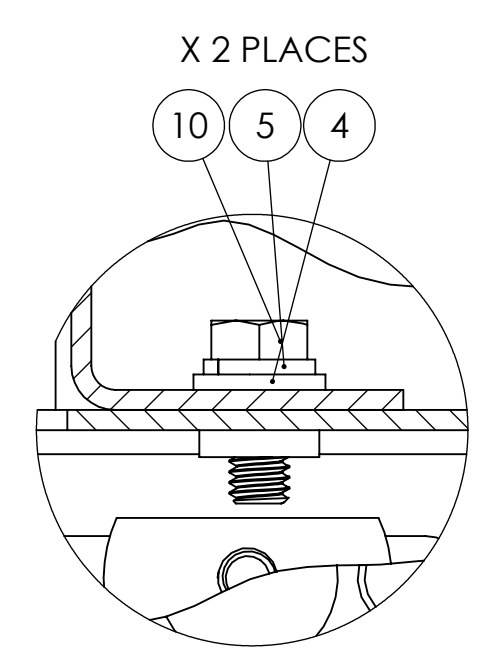
ITEM NO.	PART NUMBER	DESCRIPTION	QTY.
1	050-022	BASE (SHORT) FOR DS10	1
2	486-011	1/2H MOTOR FOR DS10, 2FSM-1725, S4S-1725, S4SWB	1
3	HHC5031016	5/16-18 X 1 HHCS GR5 Z	4
4	UFWZ031	5/16 USS F/W Z	12
5	SLWZ031	5/16 SPLIT L/W Z	8
6	FHN5031	5/16-18 FHN GR5 ZINC	4
7	160-001	10" DISC HOLDER (ALUMINIUM) FOR DS10, DS10-2M AND DS10-4S	1
8	SSKA025004	1/4-20 X 1/4 SOC SET KNURL PT.	1
9	342-029	GUARD, DISC FOR DS10	1
10	HHC5031012	5/16-18 X 3/4 HHCS GR5 Z	4
11	829-014	TABLE WORK (DISC SANDER) FOR DS10, DS10-4 AND DS10-2M	1
12	441-017	KNOB, FOR DS10, DS10-4S, AND DS12 WORK TABLES	2



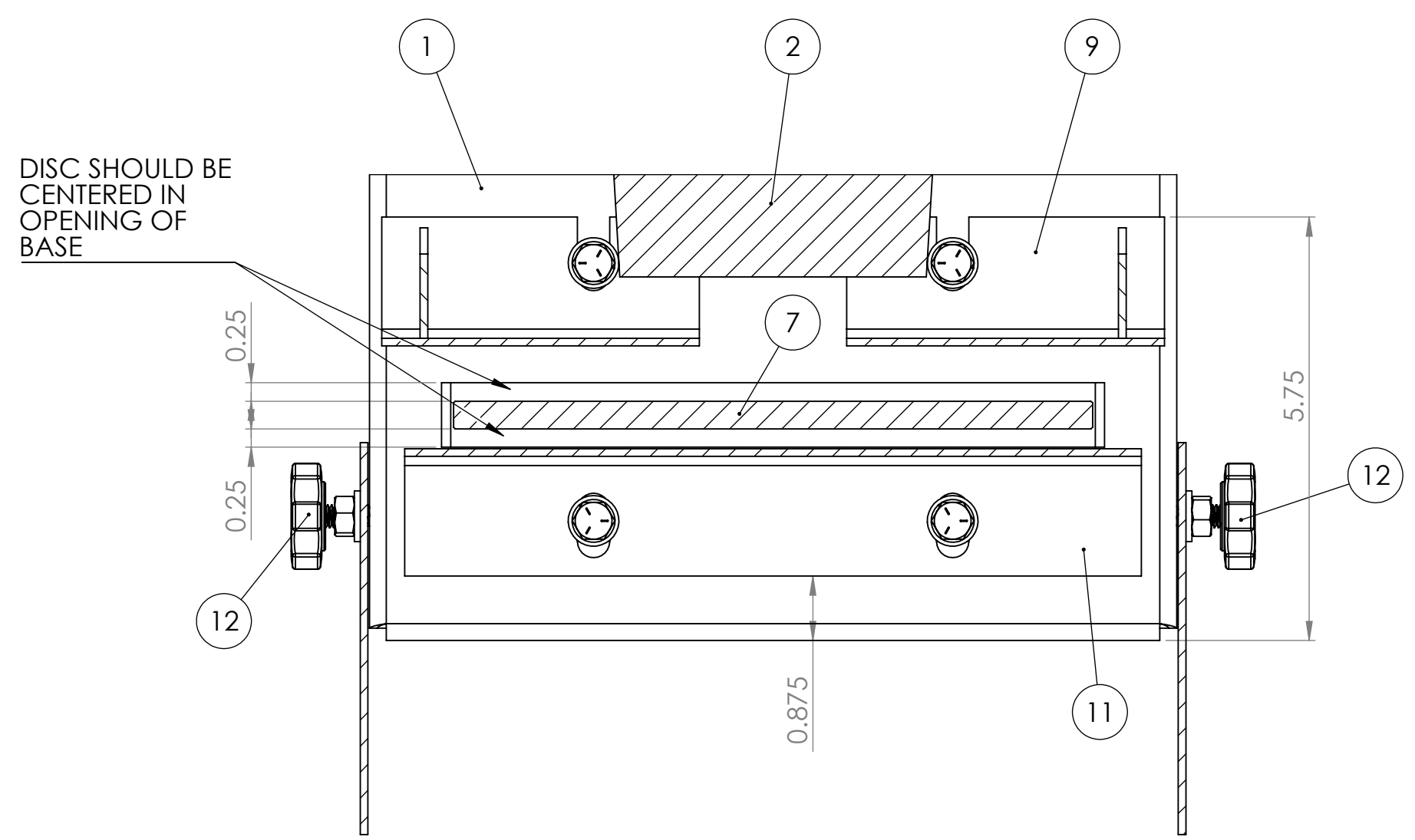
DETAIL A  
SCALE 1 : 1  
MOTOR FASTENER DETAILS



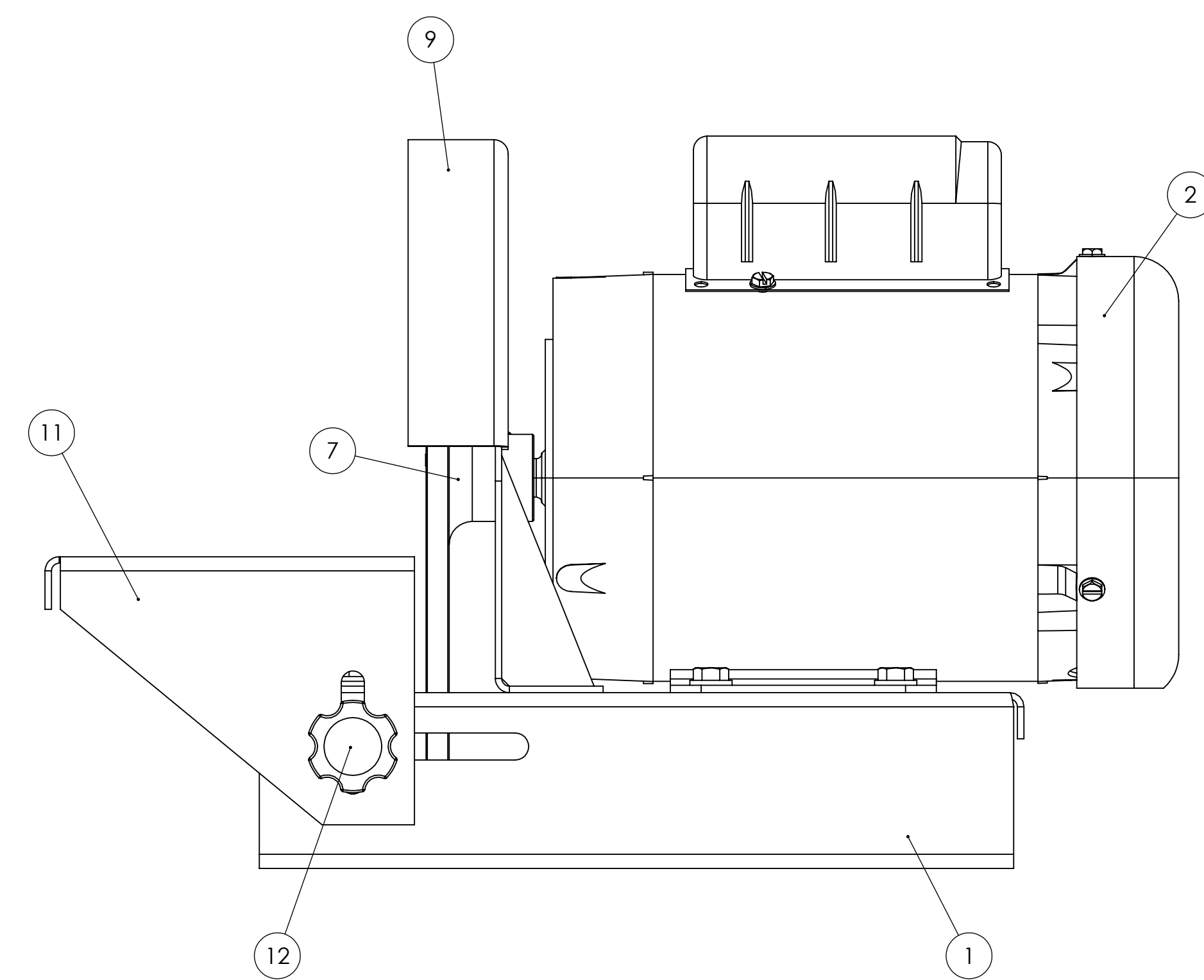
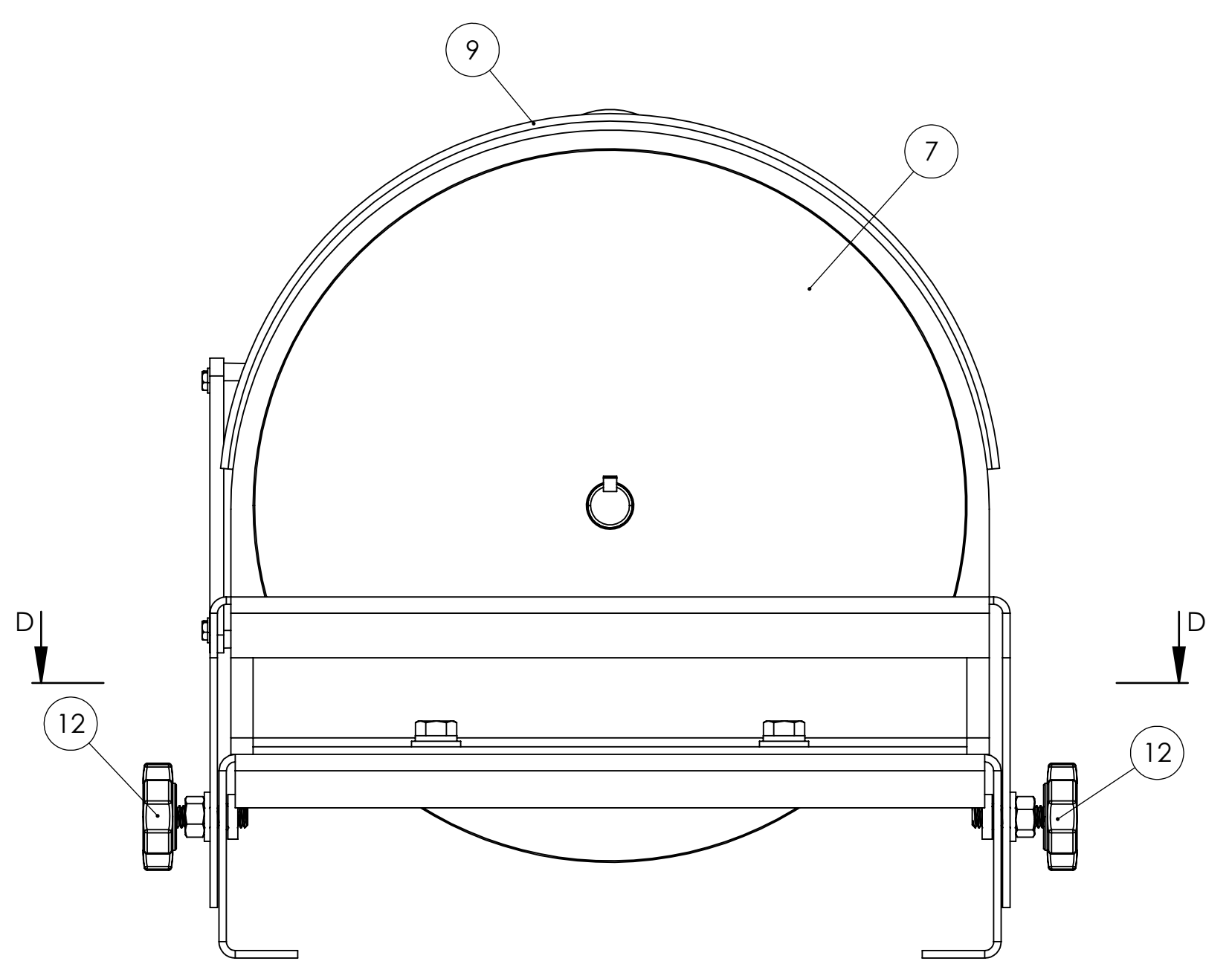
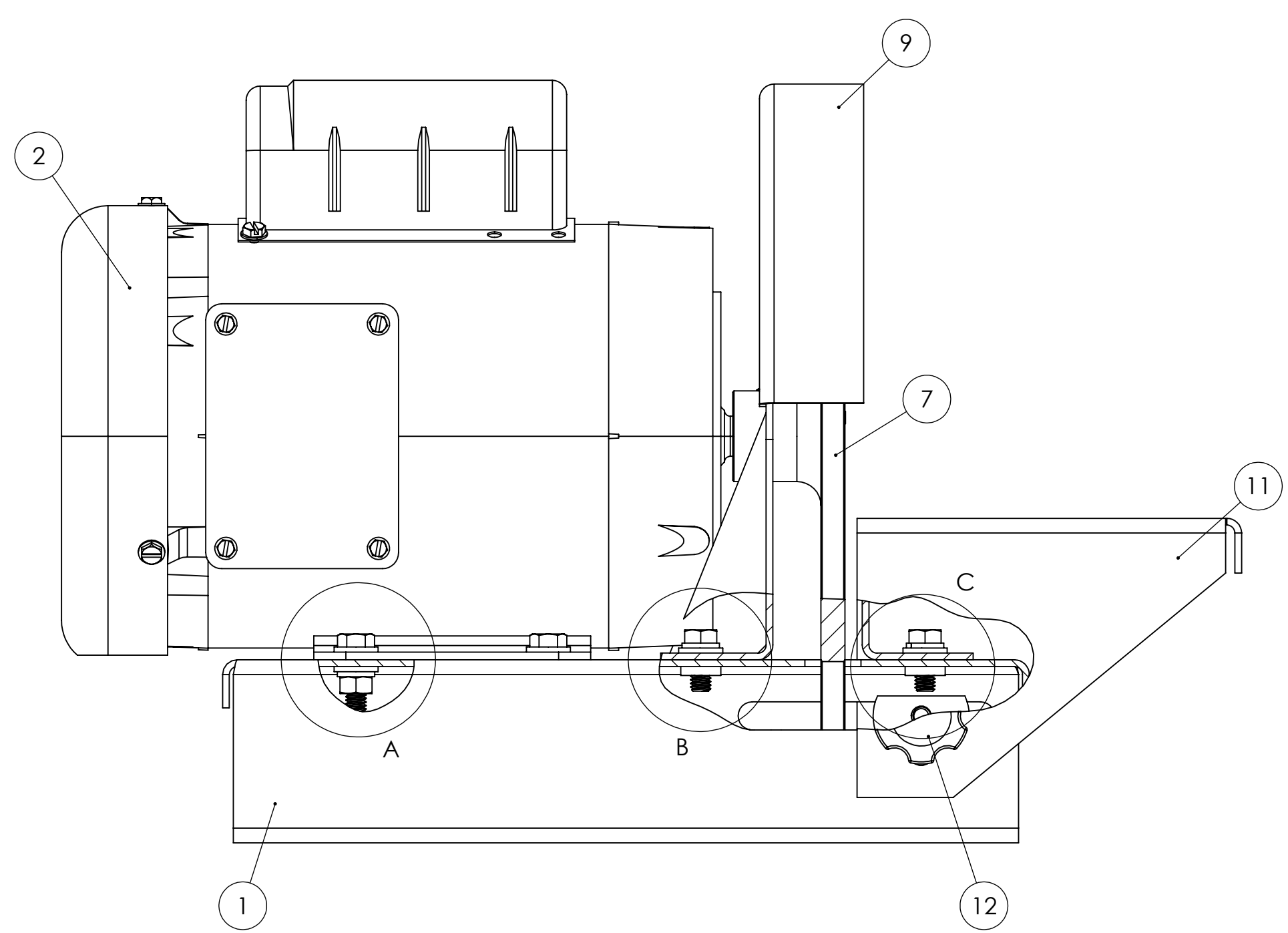
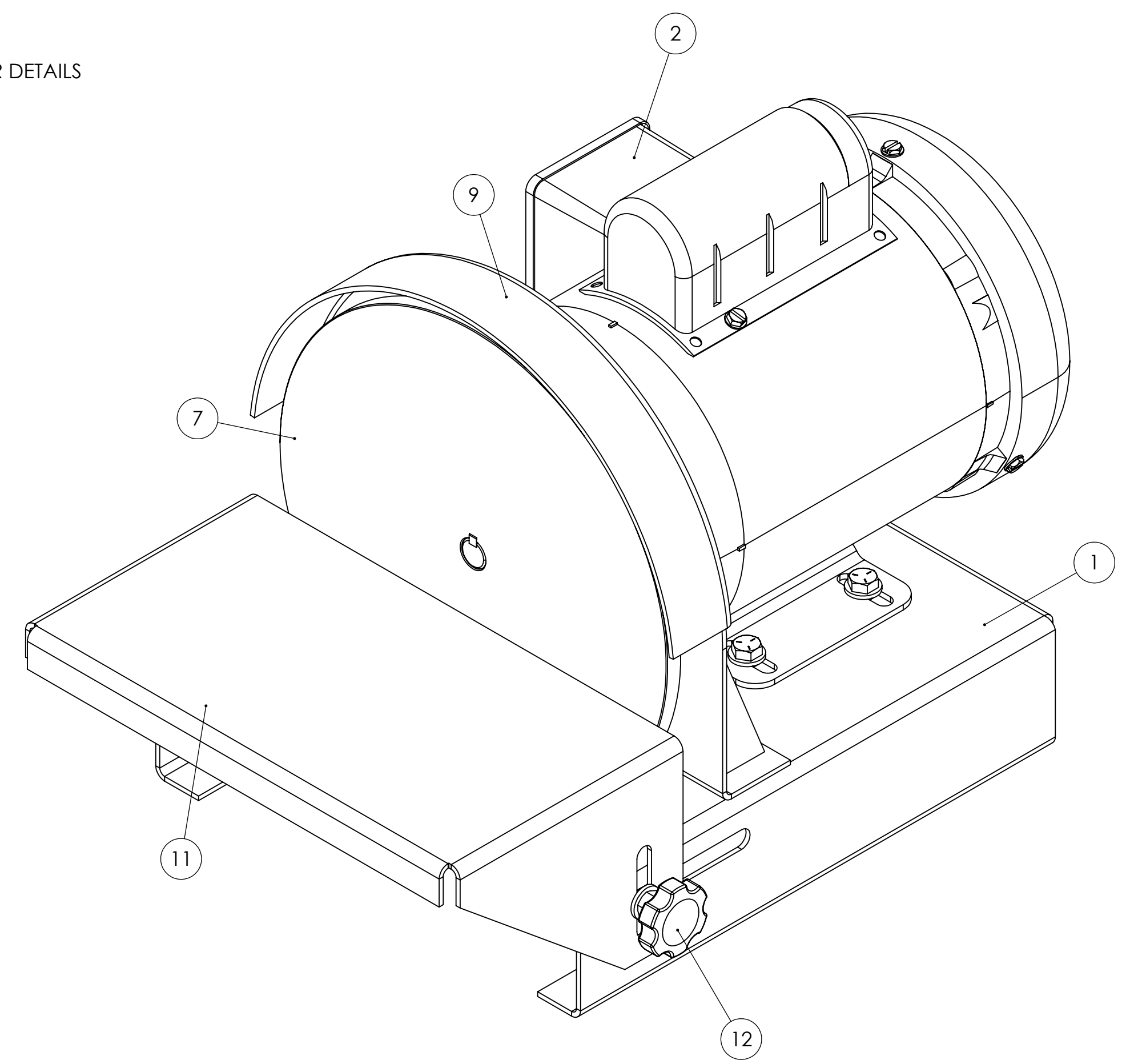
DETAIL B  
SCALE 1 : 1  
DISC GUARD FASTENER DETAILS



DETAIL C  
SCALE 1 : 1  
WORK TABLE FASTENER DETAILS



SECTION D-D  
LAYOUT OF DISC GUARD  
AND WORK TABLE



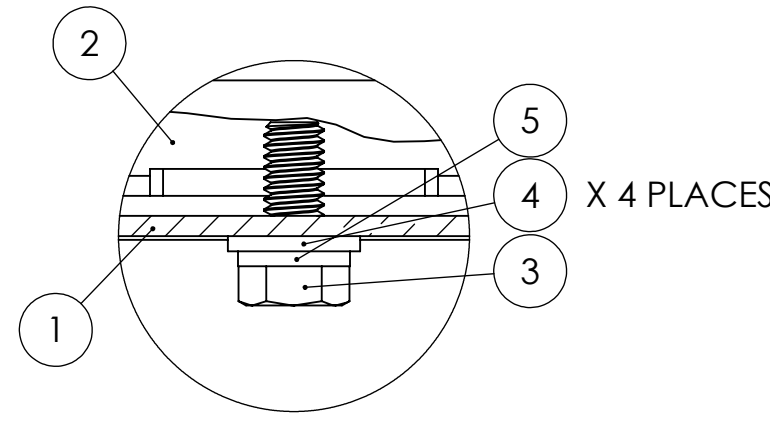
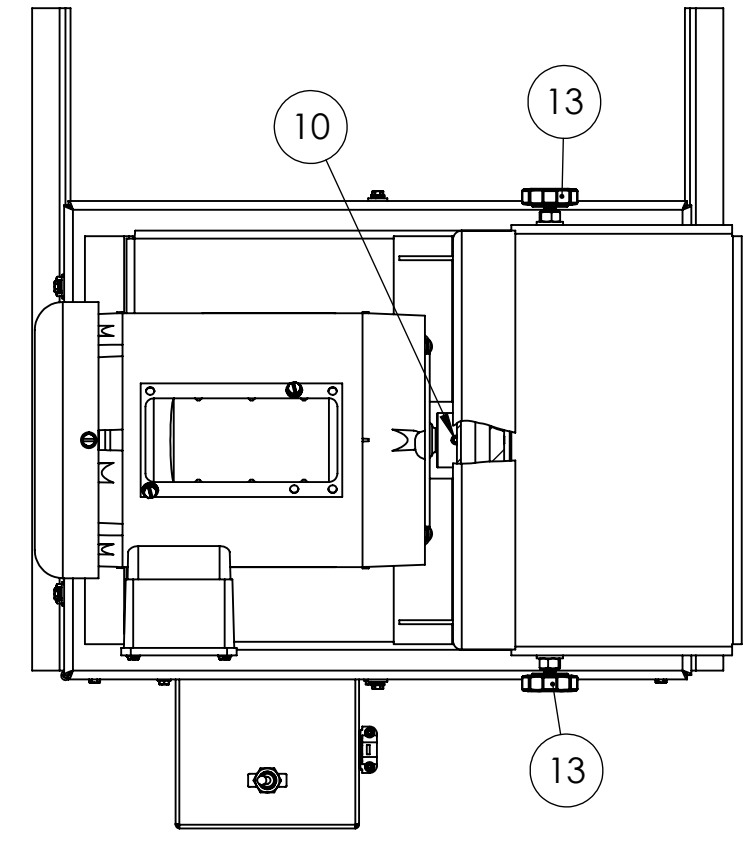
PROPRIETARY/CONFIDENTIAL  
THE INFORMATION CONTAINED IN THIS DRAWING IS THE SOLE PROPERTY OF KALAMAZOR. IT IS TO BE USED ONLY FOR THE PROJECT AND FOR THE PARTS LISTED HEREIN. NO PARTS OR MATERIALS ARE TO BE REPRODUCED OR USED IN ANY MANNER WITHOUT THE WRITTEN PERMISSION OF KALAMAZOR. ANY VIOLATION OF THIS NOTICE IS PROHIBITED.

UNLESS OTHERWISE SPECIFIED:	FRAC TIONS	ANGULAR	DECIMAL	FINISH	APP	DATE
DIMENSIONS ARE IN INCHES	1/16	MINUS	THREE PLACE DECIMAL	AS SHOWN	DATE	
TOLERANCES:	±0.005	±0.005	±0.005	AS SHOWN	DATE	
INTERFERENCE FITS:	±0.005	±0.005	±0.005	AS SHOWN	DATE	
MATERIAL:				AS SHOWN	DATE	
TO FINISH:				AS SHOWN	DATE	
DO NOT SCALE DRAWING				AS SHOWN	DATE	

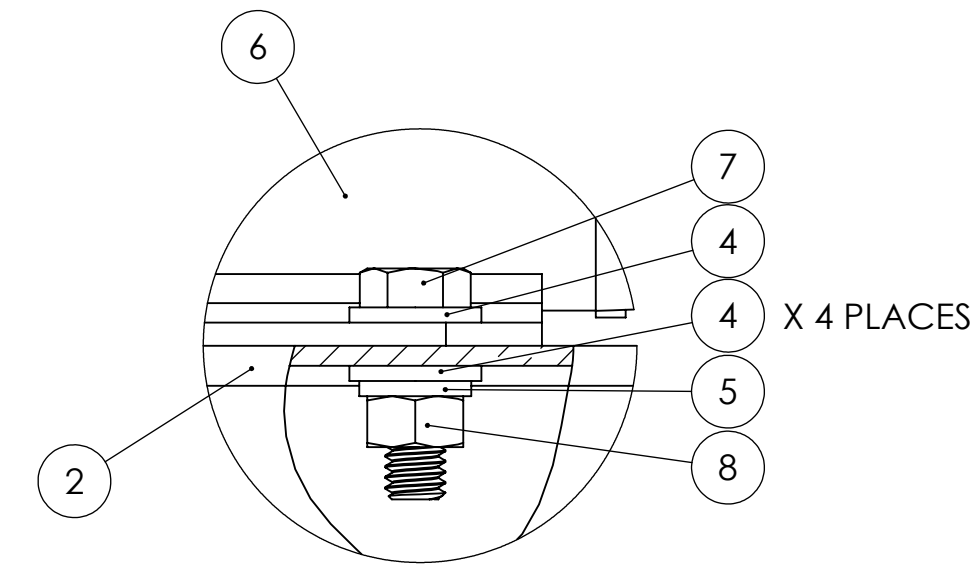
DRAWN: \_\_\_\_\_  
 CHECKED: \_\_\_\_\_  
 ENG APPR: \_\_\_\_\_  
 MFG APPR: \_\_\_\_\_  
 D.A. \_\_\_\_\_  
 COMMENTS: \_\_\_\_\_

**KALAMAZOR**  
**10 INCH DISC SANDER**  
 SIZE DWG. NO. **DS10** REV \_\_\_\_\_  
 SCALE: 1:2 WEIGHT: \_\_\_\_\_ SHEET 1 OF 1

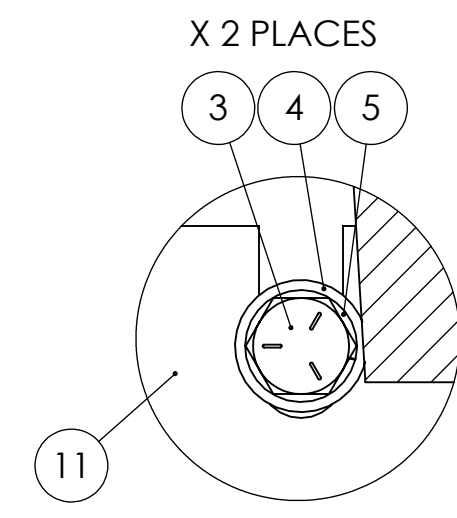
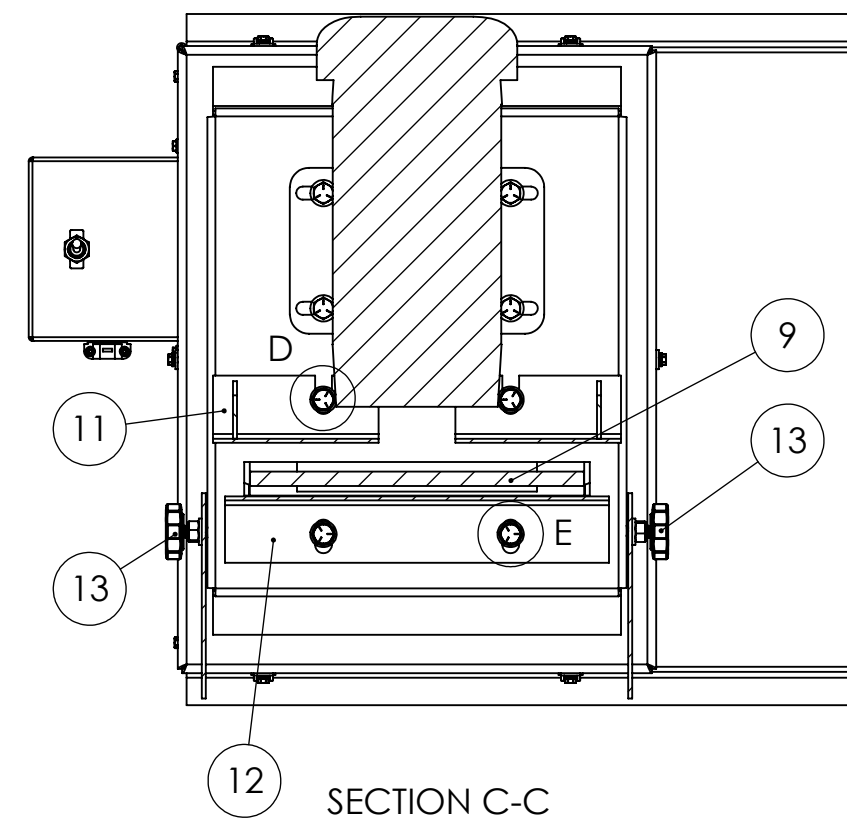
ITEM NO.	PART NUMBER	DESCRIPTION	QTY.
1	DCV-4(DS10V)	DCV-4 DUST COLLECTOR FOR DS10V APPLICATION	1
2	050-022	BASE (SHORT) FOR DS10	1
3	HHC5031012	5/16-18 X 3/4 HHCS GR5 Z	8
4	UFWZ031	5/16 USS F/W Z	16
5	SLWZ031	5/16 SPLIT L/W Z	12
6	486-011	1/2H MOTOR FOR DS10, 2FSM-1725, S4S-1725, S4SWB	1
7	HHC5031016	5/16-18 X 1 HHCS GR5 Z	4
8	FHN5031	5/16-18 FHN GR5 ZINC	4
9	160-001	10" DISC HOLDER (ALUMINIUM) FOR DS10, DS10-2M AND DS10-4S	1
10	SSKA025004	1/4-20 X 1/4 SOC SET KNURL PT.	1
11	342-029	GUARD, DISC FOR DS10	1
12	829-014	TABLE, WORK (DISC SANDER) FOR DS10, DS10-4 AND DS10-2M	1
13	441-017	KNOB, FOR DS10, DS10-4S, AND DS12 WORK TABLES	2



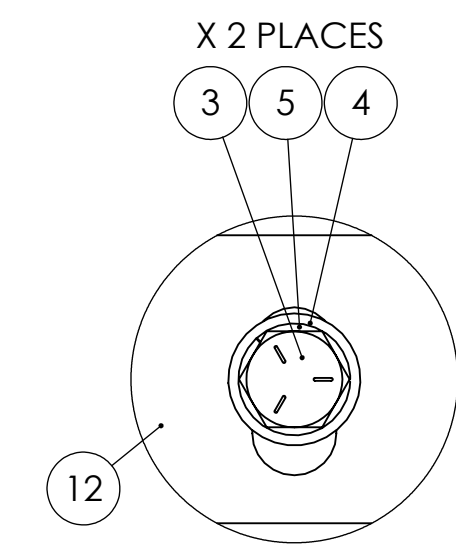
DETAIL A  
SCALE 1 : 1  
ATTACHING BASE TO  
DCV-4 DUST COLLECTOR TOP  
DETAILS



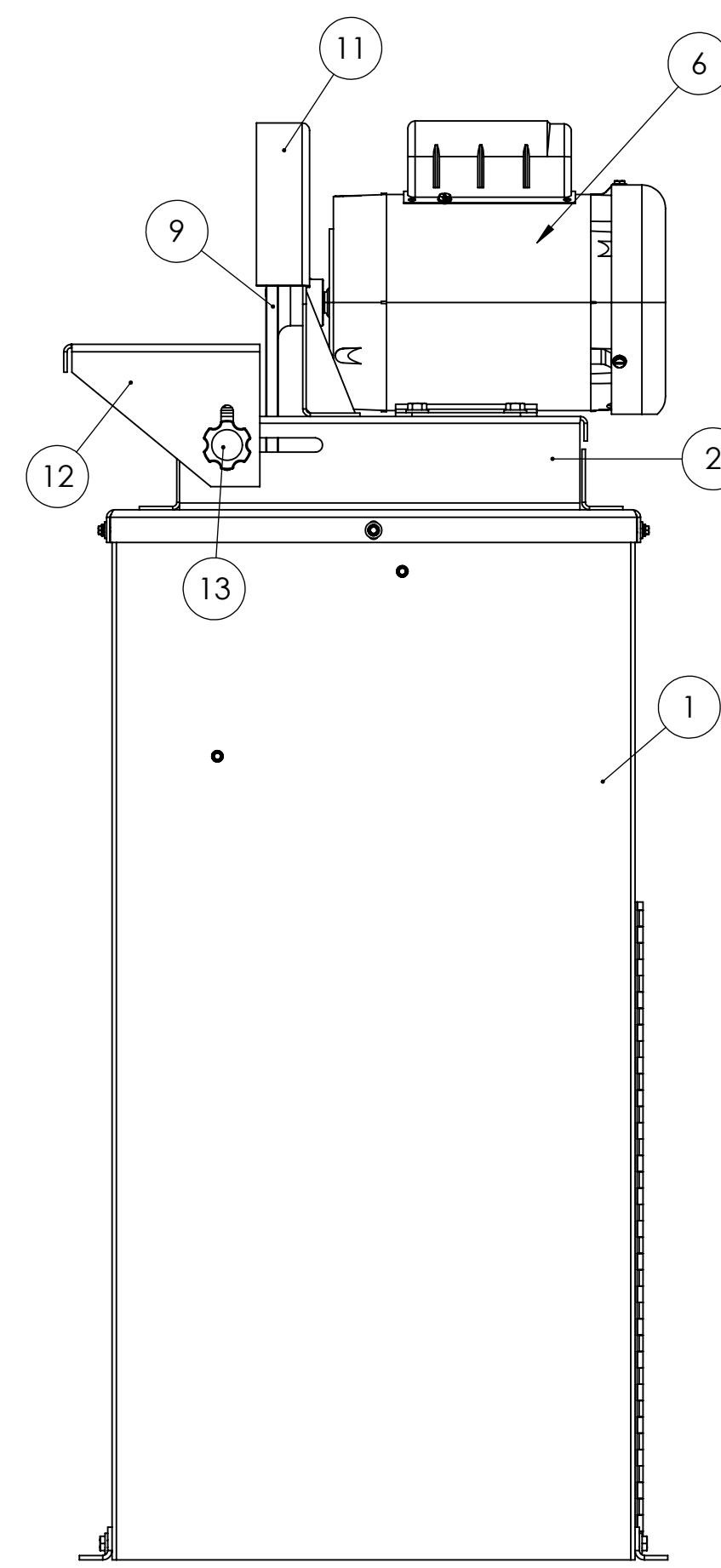
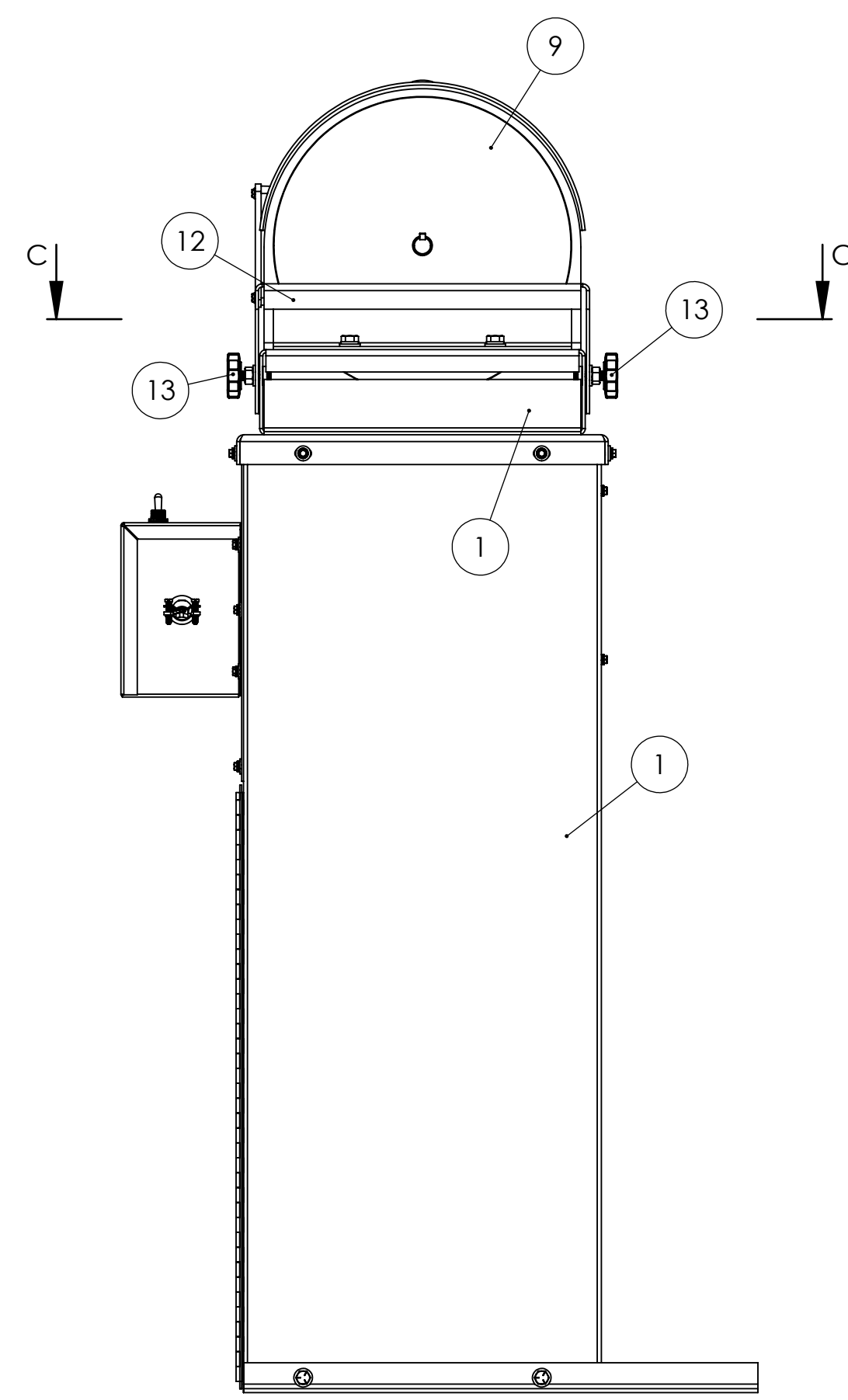
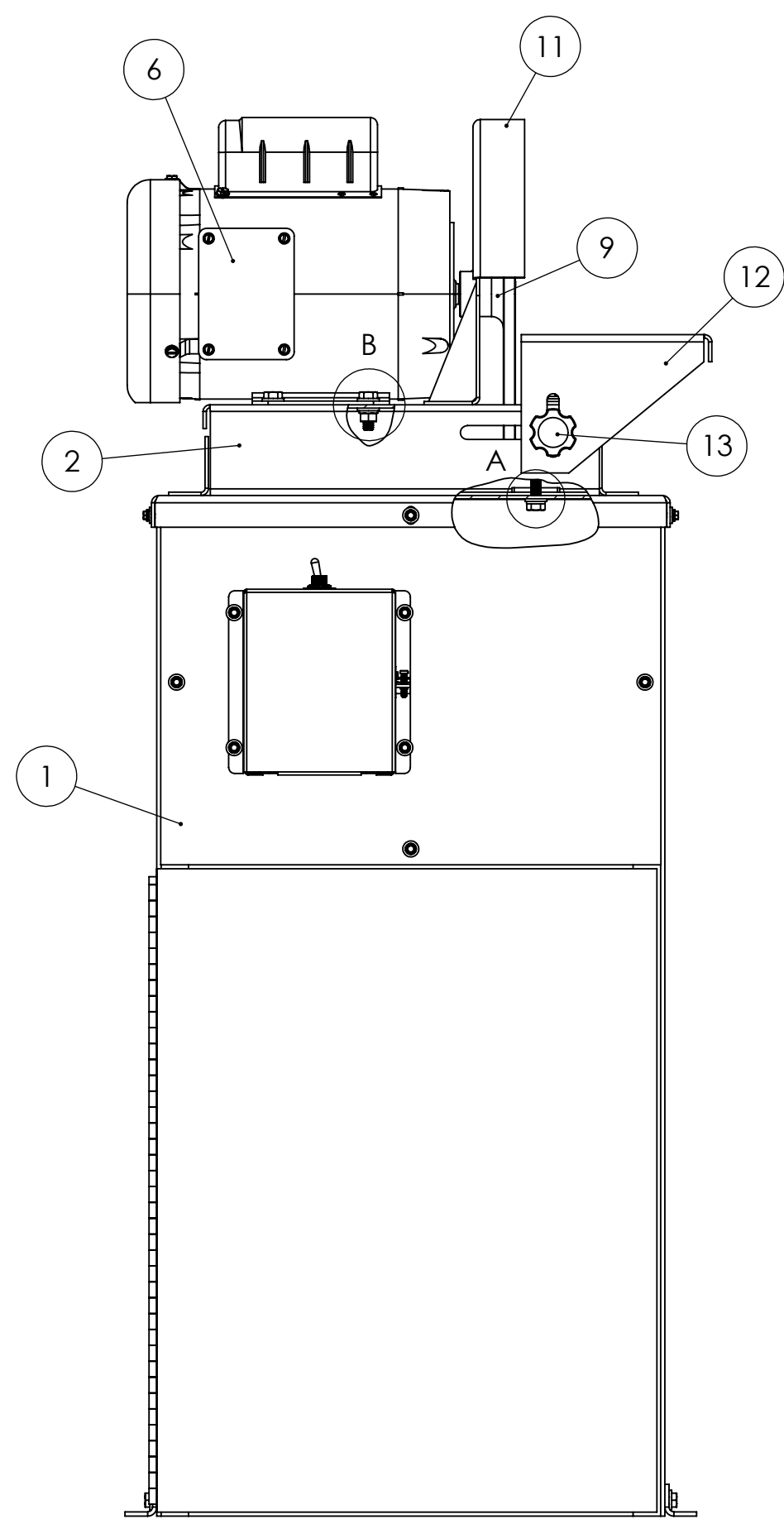
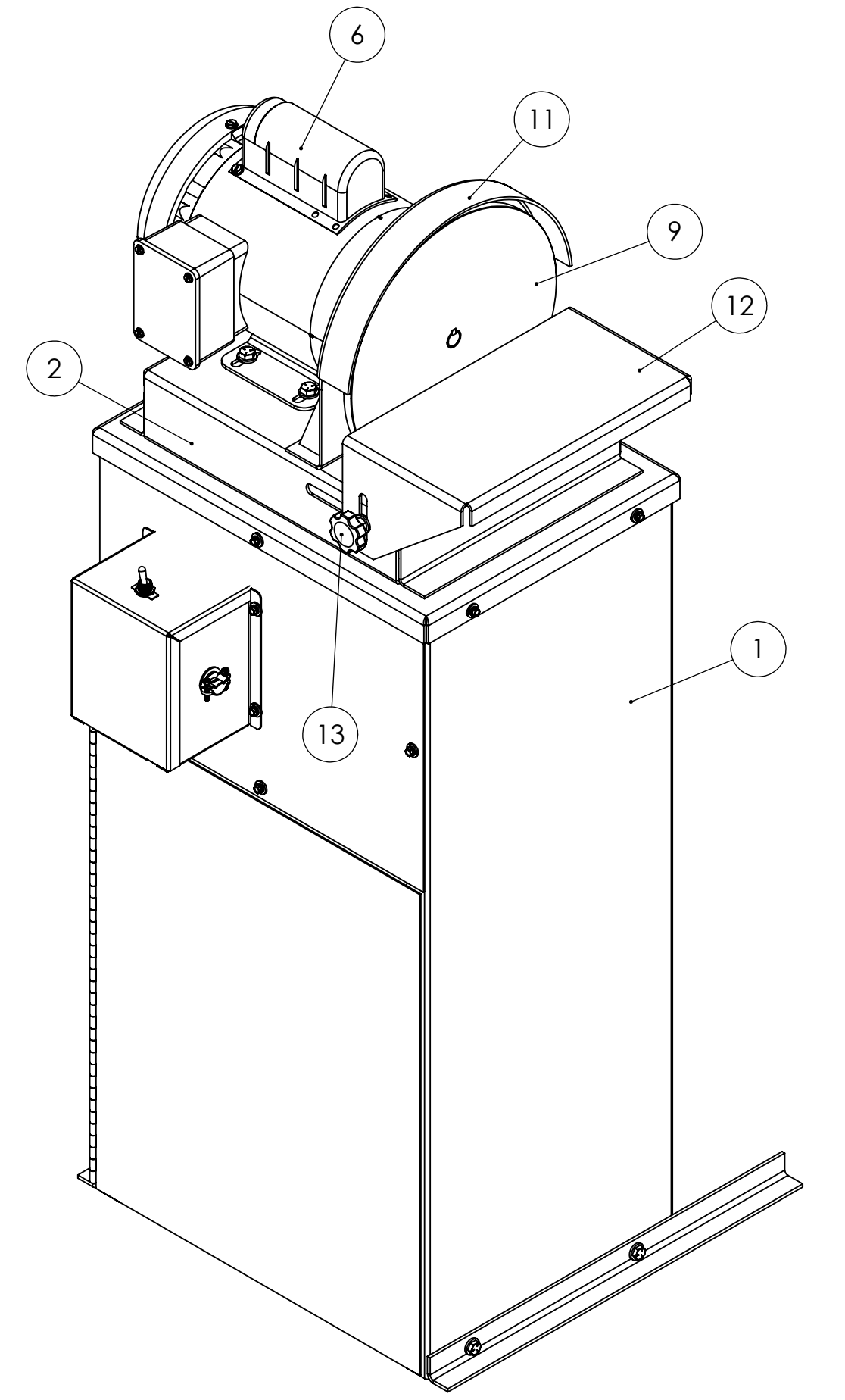
DETAIL B  
SCALE 1 : 1  
ATTACHING MOTOR TO  
BASE DETAILS



DETAIL D  
SCALE 1 : 1  
ATTACHING DISC GUARD  
TO BASE DETAILS



DETAIL E  
SCALE 1 : 1  
ATTACHING WORK LABEL  
TO BASE DETAILS



PLEASE CONSULT DCV-4 DRAWING FOR  
DUST COLLECTOR DETAILS

PROPRIETARY/CONFIDENTIAL  
THE INFORMATION CONTAINED IN THIS  
DRAWING IS THE SOLE PROPERTY OF  
KALAMAZOR TOOL CO. ANY  
REPRODUCTION IN PART OR AS A WHOLE  
WITHOUT THE WRITTEN PERMISSION OF  
KALAMAZOR TOOL CO. IS  
PROHIBITED.

UNLESS OTHERWISE SPECIFIED:	NAME	DATE
DIMENSIONS ARE IN INCHES	DRAWN	
TOLERANCES:	CHECKED	
FRACTIONS 1/8	ENG APPR	
ANGULAR 30/45/60/90/120	ENG APPR	
PROFILES DECIMAL 1/8	ENG APPR	
THREE PLACE DECIMAL 1/8	ENG APPR	
INTERFERENCE GEOMETRIC TOLERANCES FIT	D.A.	
MATERIAL:	COMMENTS:	
NEAT ASSEMBLY	USED ON	FINISH
APPLICATION	DO NOT SCALE DRAWING	

TITLE: DS10 DISC SANDER W  
DCV-4 DUST COLLECTOR

SIZE DWG. NO. REV  
E DS10V

SCALE: 1:5 WEIGHT: SHEET 1 OF 1