

KI **KALAMAZOO**
INDUSTRIES, INC.
KALAMAZOO, MI



PH: (269) 382-2050

www.kalamazooind.com

**DS10V DISC SANDER
WITH VACUUM
MANUAL**



MADE IN USA

KI **KALAMAZOO** INDUSTRIES, INC. KALAMAZOO, MI



PH: (269) 382-2050

www.kalamazooind.com

WARRANTY

All products are guaranteed for a period of one year from receipt of order to the original purchaser, against defects in material workmanship under normal use. Electric motors are warranted by the motor manufacturer for a period of one year and will be repaired by the nearest motor repair station. If non-repairable, they will be replaced by Kalamazoo Industries. Please call for instructions (269) 382-2050.

RETURN POLICY

Authorization must be obtained before returning merchandise. Please call our customer service department for a return authorization number (269) 382-2050. Please include with your return a copy of your invoice of packing slip. All material must be new and unused in the original packaging. Material must be sent back prepaid (unless otherwise indicated) by Kalamazoo Industries. Credit upon inspection at Kalamazoo Industries. All returns will be subject to a 10% restock charge. Used merchandise is non-returnable. No returns will be accepted after one year of invoice date.

DISC SANDER SAFETY

- READ THE OPERATING INSTRUCTIONS BEFORE RUNNING MACHINE.
- ALWAYS WEAR SAFETY GLASSES OR A FULL FACE SHIELD FOR PROTECTION.
- KEEP HANDS CLEAR OF THE SANDING AREA.
- NEAR WEAR GLOVES OR LOOSE FITTING CLOTHES WHEN OPERATING THIS MACHINE.
- ALWAYS KEEP HAIR TIED BACK OR COVERED.
- LET MACHINE ROTATION COME TO A FULL STOP BEFORE CHANGING BELT.
- KEEP SAFETY GUARDS IN PLACE. DO NOT ALTER GUARD OR MACHINE IN ANYWAY. ANY ALTERATIONS TO GUARDS OR MACHINE COULD CAUSE SERIOUS INJURY.
- ALL BELT SANDERS SHOULD BE OPERATED IN A WELL-VENTILATED AREA. THE DUST CREATED WHEN SOME MATERIALS ARE SANDED CAN BE HARMFUL. DUST MASKS ARE RECOMMEND AS A PRACTICAL MEAN OF MINIMIZING DUST INHALATION. FUMES FROM OTHER OTHER SOURCES CAN ALSO CAUSES FIRES WHEN INTACT WITH SANDING SPARK.
- SPARKS CREATED BY SANDING SHOULD BE DIRECTED DOWNWARD AND AWAY FROM THE FACE AND BODY. DON NOT GRIND NEAR FLAMMABLE MATERIAL.
- ELECTRIC SANDING MACHINES ARE NOT INTENDED FOR USE IN OR NEAR WATER. THIS INCLUDES AN OPERATOR STANDING ON A WET FLOOR OR WORKING AROUND CONTAINERS OF WATER OR OTHER CONDUCTIVE LIQUIDS.
- **DUST COLLECTION SYSTEM:** ALWAYS CLEAN DUST COLLECTOR OUT AND DON'T MIX MATERIALS.

KI **KALAMAZOO** INDUSTRIES, INC. KALAMAZOO, MI



PH: (269) 382-2050

www.kalamazooind.com

BASIC OPERATION

Motor specifications

- 1/2HP 1PH 115V
 - Motor RPM: 1725
 - DISC SIZE: 10"
1. Be sure AC incoming power matches the DS10V. The DS10 10 inch disc sander ships standard at 1/2HP 1PH 115V but the motor is dual voltage. It can be rewired to 1PH 230V if needed at the motor junction box. An electrical schematic sticker on the motor indicates the wiring for voltage change. **CAUTION: IF YOUR NOT FAMILIAR WITH ELECTRICS CONSULT AN ELECTRICIAN.**
 2. Disc: The 10" disc uses a PSA (pressure sensitive adhesive) disc. Peel back the clear backing and stick the disc to the aluminum disc holder. Consult your dealer for different types of PSA discs.
 3. Disc worktable: The disc work table is adjustable and will tilt downward for different angles. Loosen the knobs on either side of the work table to tilt, re-lock to maintain desired table position. Keep the table within 1/8" of the disc for the operators safety.
 4. **FOLLOW ALL SAFETY PROCEDURES. SEE SAFETY SHEET.**

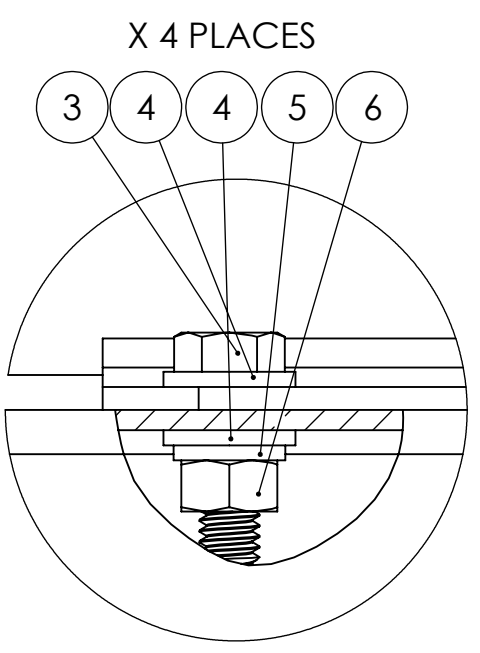
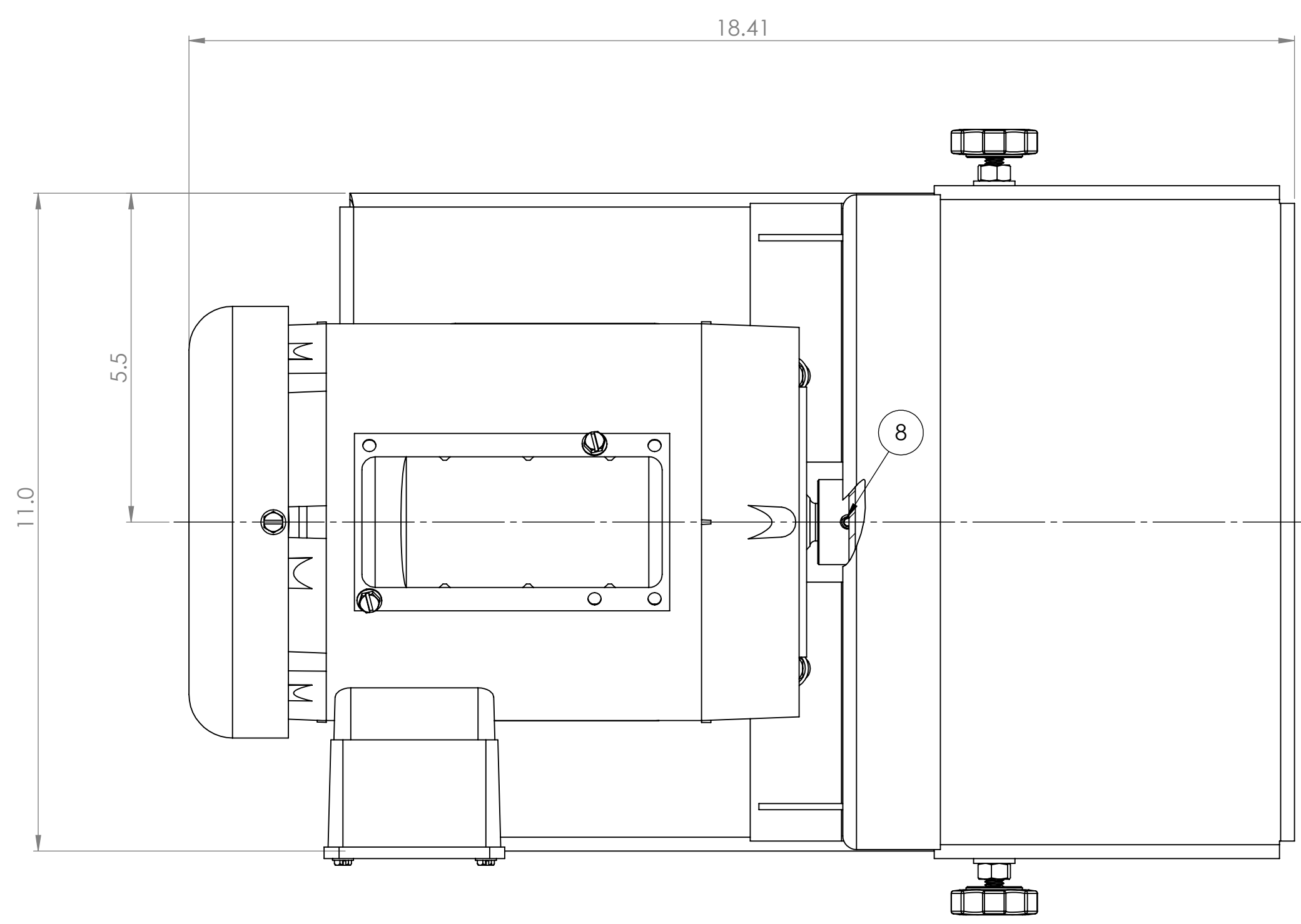
VACUUM OPERATION

- 1PH 115V
- REPLACEMENT CLOTH FILTER (5X878)

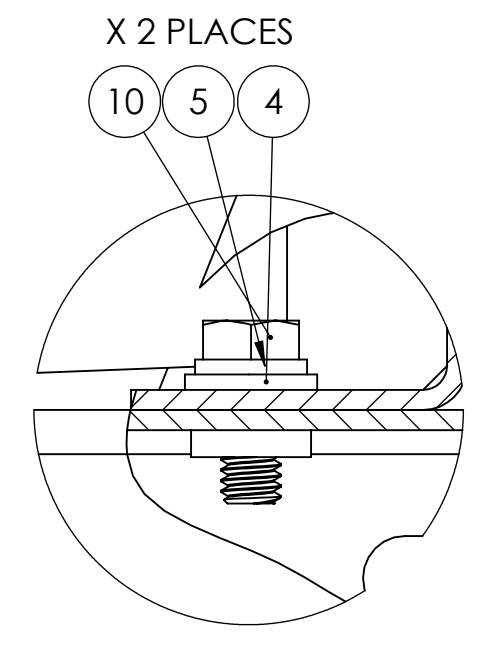
IMPORTANT

ALWAYS CLEAN DUST COLLECTOR OUT AND DON'T MIX MATERIALS. MIXING MATERIALS CAN CAUSE A FIRE.

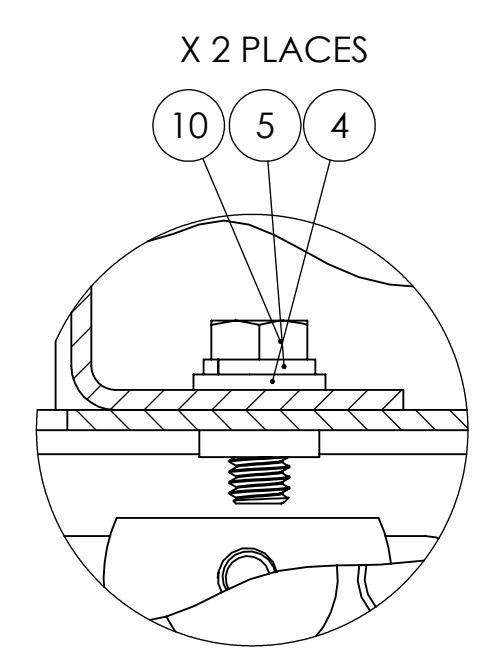
ITEM NO.	PART NUMBER	DESCRIPTION	QTY.
1	050-022	BASE (SHORT) FOR DS10	1
2	486-011	1/2H MOTOR FOR DS10, 2FSM-1725, S4S-1725, S4SWB	1
3	HHC5031016	5/16-18 X 1 HHCS GR5 Z	4
4	UFW2031	5/16 USS F/W Z	12
5	SLW2031	5/16 SPLIT L/W Z	8
6	FHN5031	5/16-18 FHN GR5 ZINC	4
7	160-001	10" DISC HOLDER (ALUMINIUM) FOR DS10, DS10-2M AND DS10-4S	1
8	SSKA025004	1/4-20 X 1/4 SOC SET KNURL PT.	1
9	342-029	GUARD, DISC FOR DS10	1
10	HHC5031012	5/16-18 X 3/4 HHCS GR5 Z	4
11	829-014	TABLE WORK (DISC SANDER) FOR DS10, DS10-4 AND DS10-2M	1
12	441-017	KNOB, FOR DS10, DS10-4S, AND DS12 WORK TABLES	2



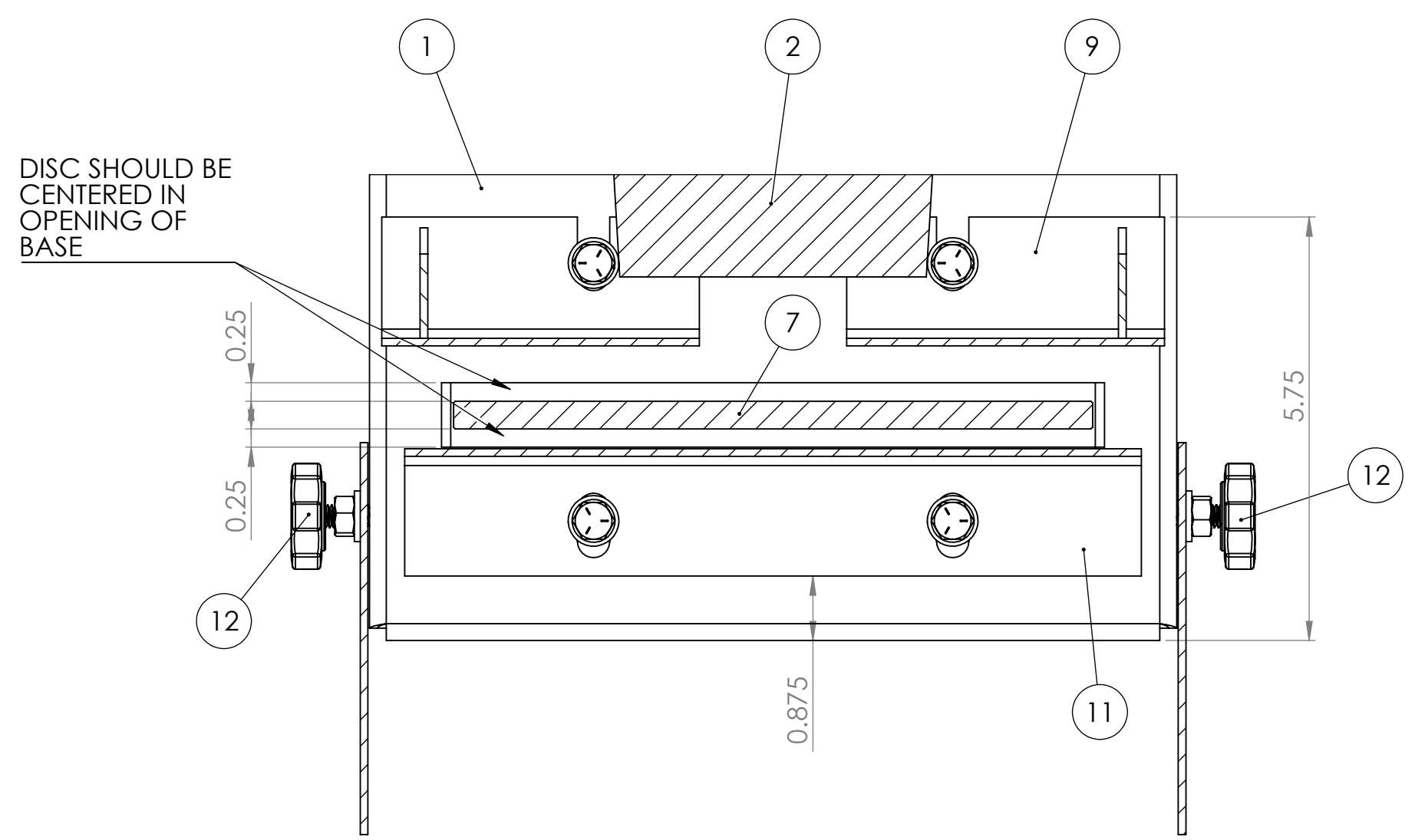
DETAIL A
SCALE 1 : 1
MOTOR FASTENER DETAILS



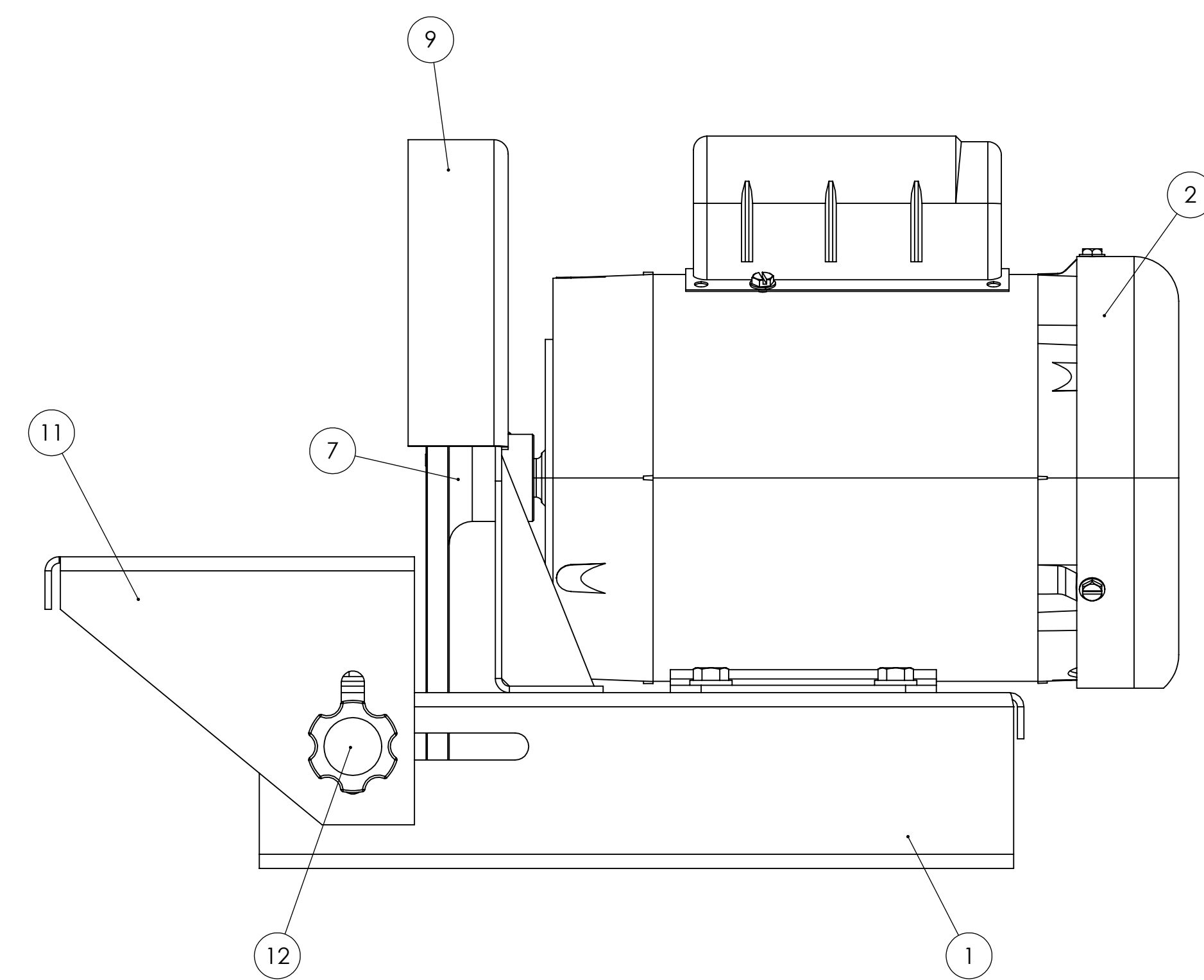
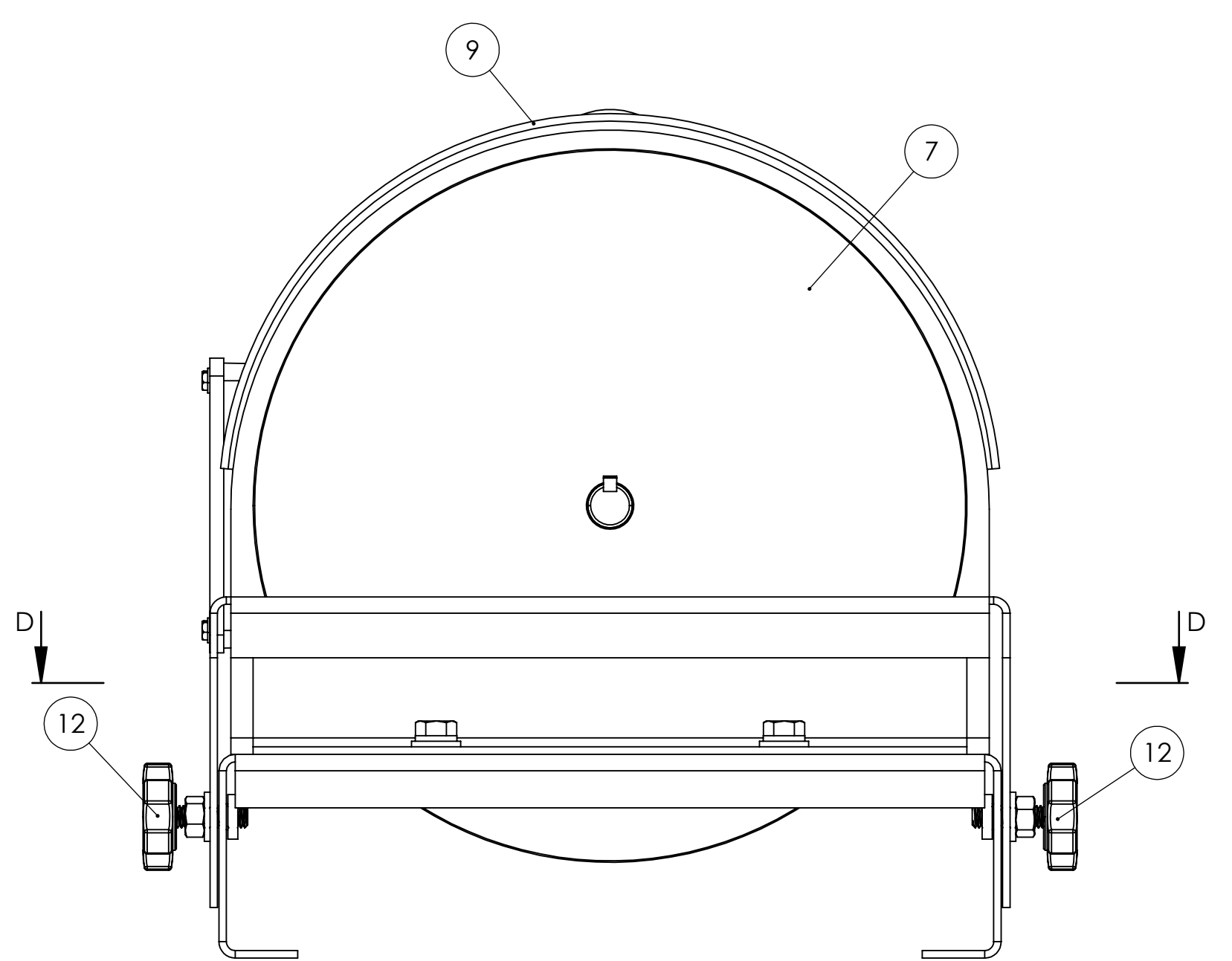
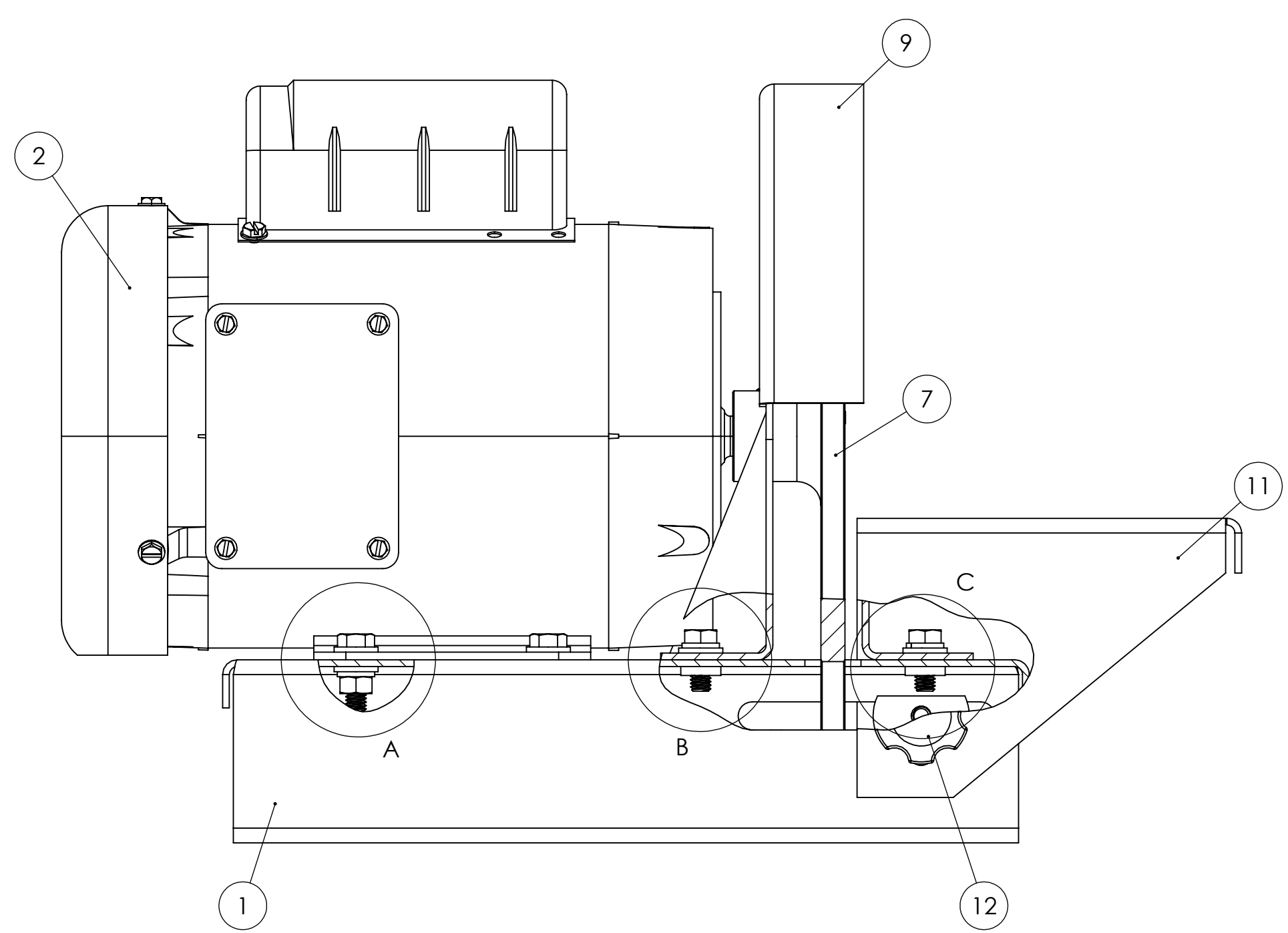
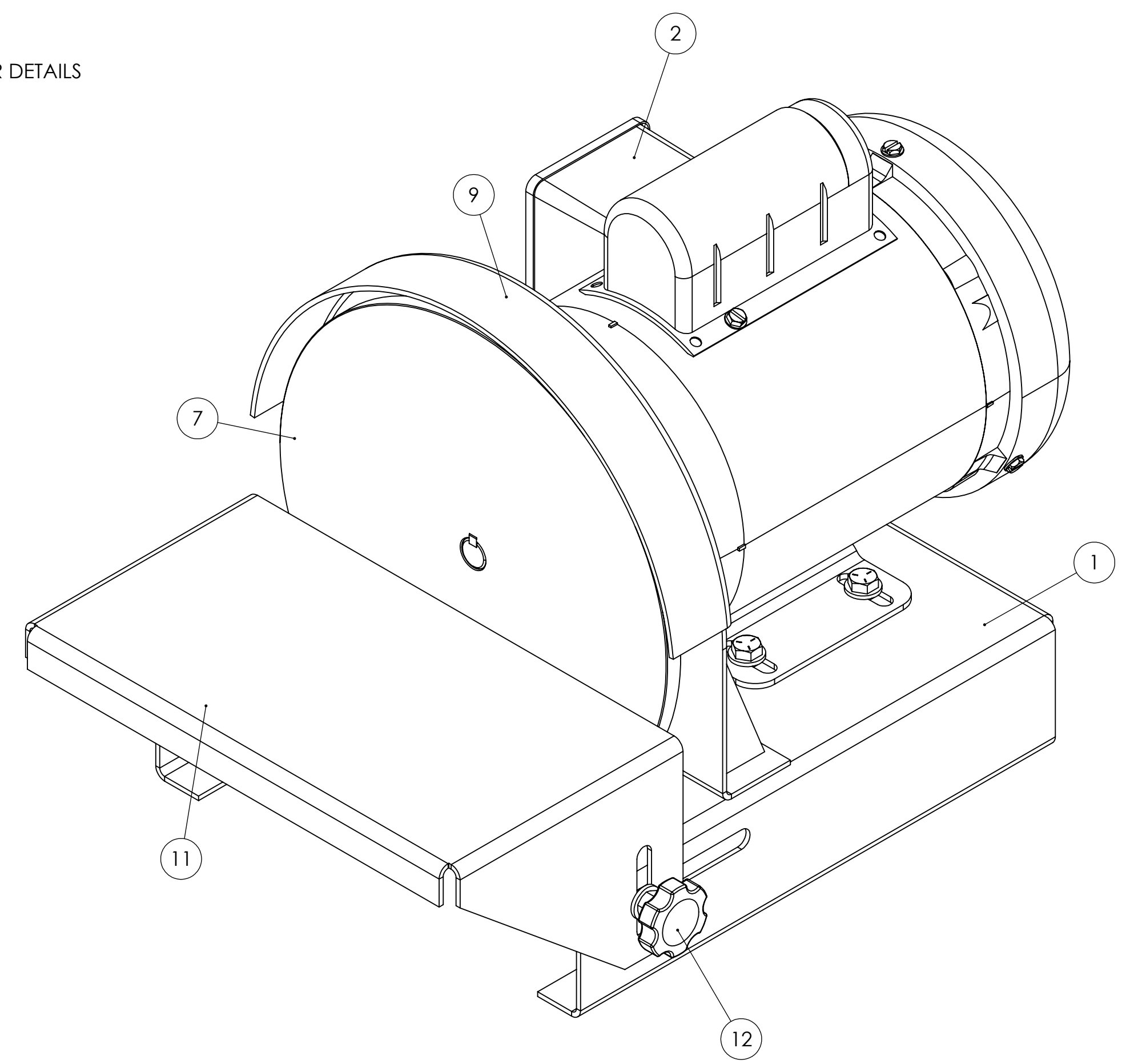
DETAIL B
SCALE 1 : 1
DISC GUARD FASTENER DETAILS



DETAIL C
SCALE 1 : 1
WORK TABLE FASTENER DETAILS



SECTION D-D
LAYOUT OF DISC GUARD
AND WORK TABLE

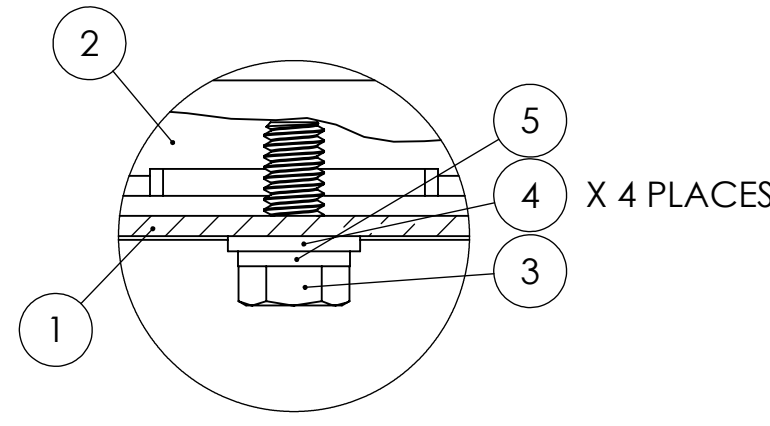
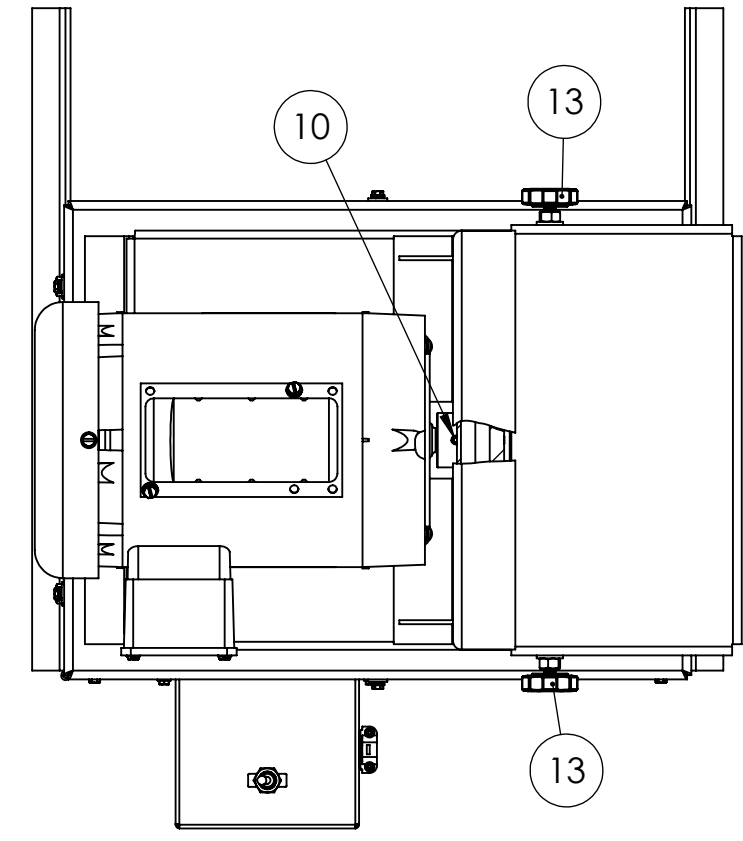


PROPRIETARY/CONFIDENTIAL
THE INFORMATION CONTAINED IN THIS DRAWING IS THE SOLE PROPERTY OF KALAMAZOO TOOL COMPANY. ANY REPRODUCTION IN PART OR AS A WHOLE WITHOUT THE WRITTEN PERMISSION OF KALAMAZOO TOOL COMPANY IS PROHIBITED.

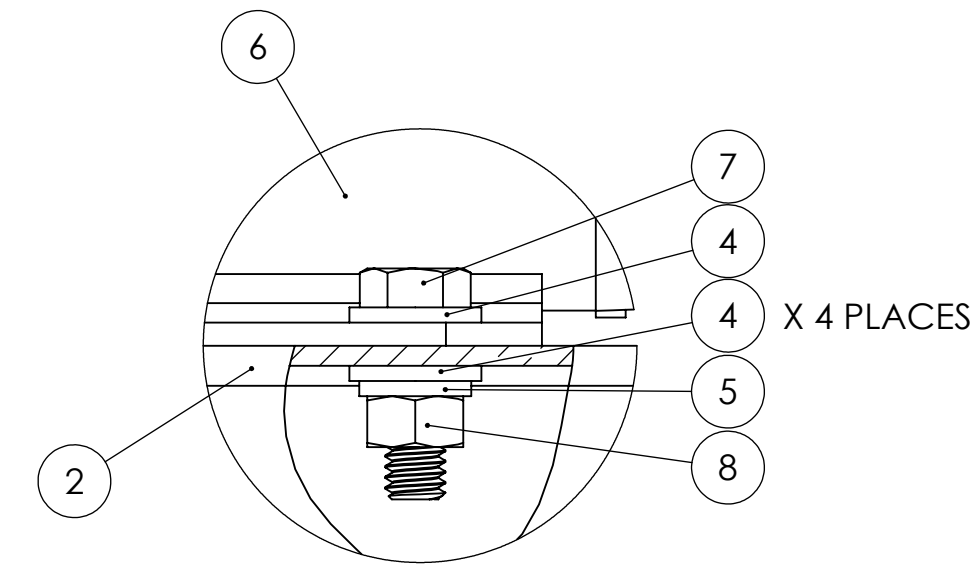
UNLESS OTHERWISE SPECIFIED:	FRONT VIEW	ANGULAR DIMS	PROFILES	INTERFERENCE FITS	MATERIAL	FINISH	APPLICATION	USED ON	DO NOT SCALE DRAWING
DIMENSIONS ARE IN INCHES	CHECKED	BEND 1	1						
TOLERANCES:									
FRACTIONS 1/8									
DECIMALS 1/16									
THREE PLACE DECIMAL 1/32									

KALAMAZOO
10 INCH DISC SANDER
DS10
SCALE: 1:2 WEIGHT: SHEET 1 OF 1

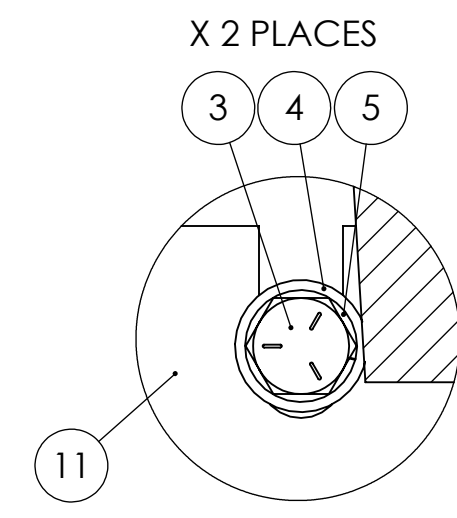
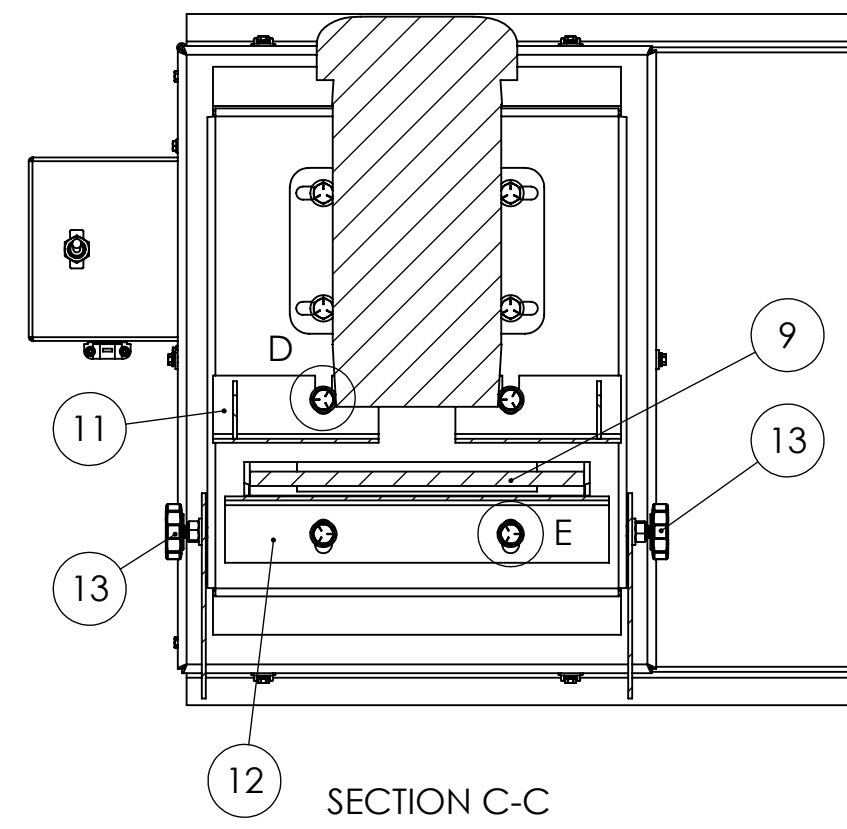
ITEM NO.	PART NUMBER	DESCRIPTION	QTY.
1	DCV-4(DS10V)	DCV-4 DUST COLLECTOR FOR DS10V APPLICATION	1
2	050-022	BASE (SHORT) FOR DS10	1
3	HHC5031012	5/16-18 X 3/4 HHCS GR5 Z	8
4	UFWZ031	5/16 USS F/W Z	16
5	SLWZ031	5/16 SPLIT L/W Z	12
6	486-011	1/2H MOTOR FOR DS10, 2FSM-1725, S4S-1725, S4SWB	1
7	HHC5031016	5/16-18 X 1 HHCS GR5 Z	4
8	FHN5031	5/16-18 FHN GR5 ZINC	4
9	160-001	10" DISC HOLDER (ALUMINIUM) FOR DS10, DS10-2M AND DS10-4S	1
10	SSKA025004	1/4-20 X 1/4 SOC SET KNURL PT.	1
11	342-029	GUARD, DISC FOR DS10	1
12	829-014	TABLE, WORK (DISC SANDER) FOR DS10, DS10-4 AND DS10-2M	1
13	441-017	KNOB, FOR DS10, DS10-4S, AND DS12 WORK TABLES	2



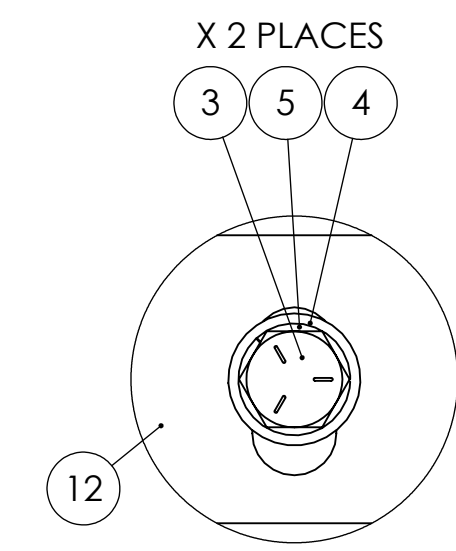
DETAIL A
SCALE 1 : 1
ATTACHING BASE TO
DCV-4 DUST COLLECTOR TOP
DETAILS



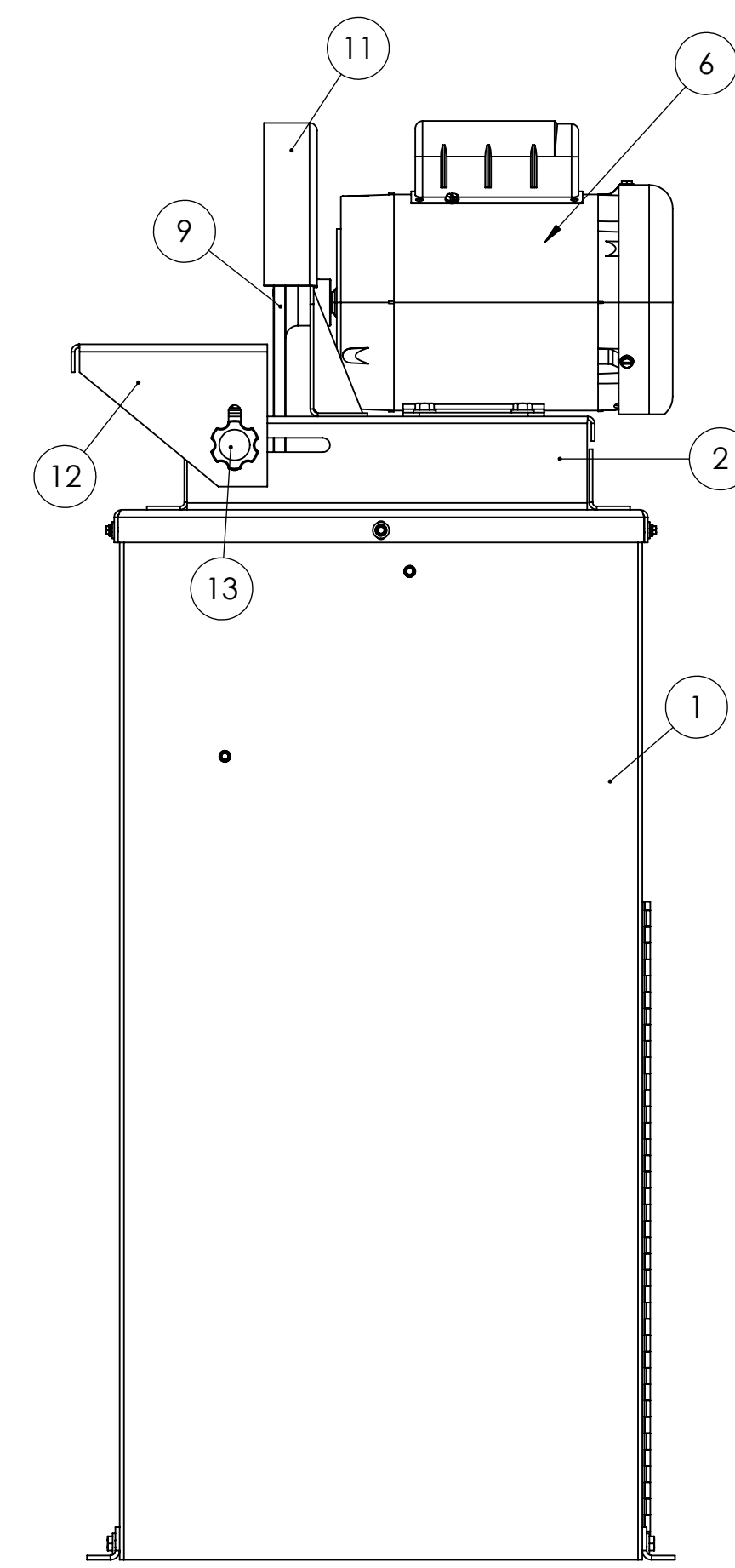
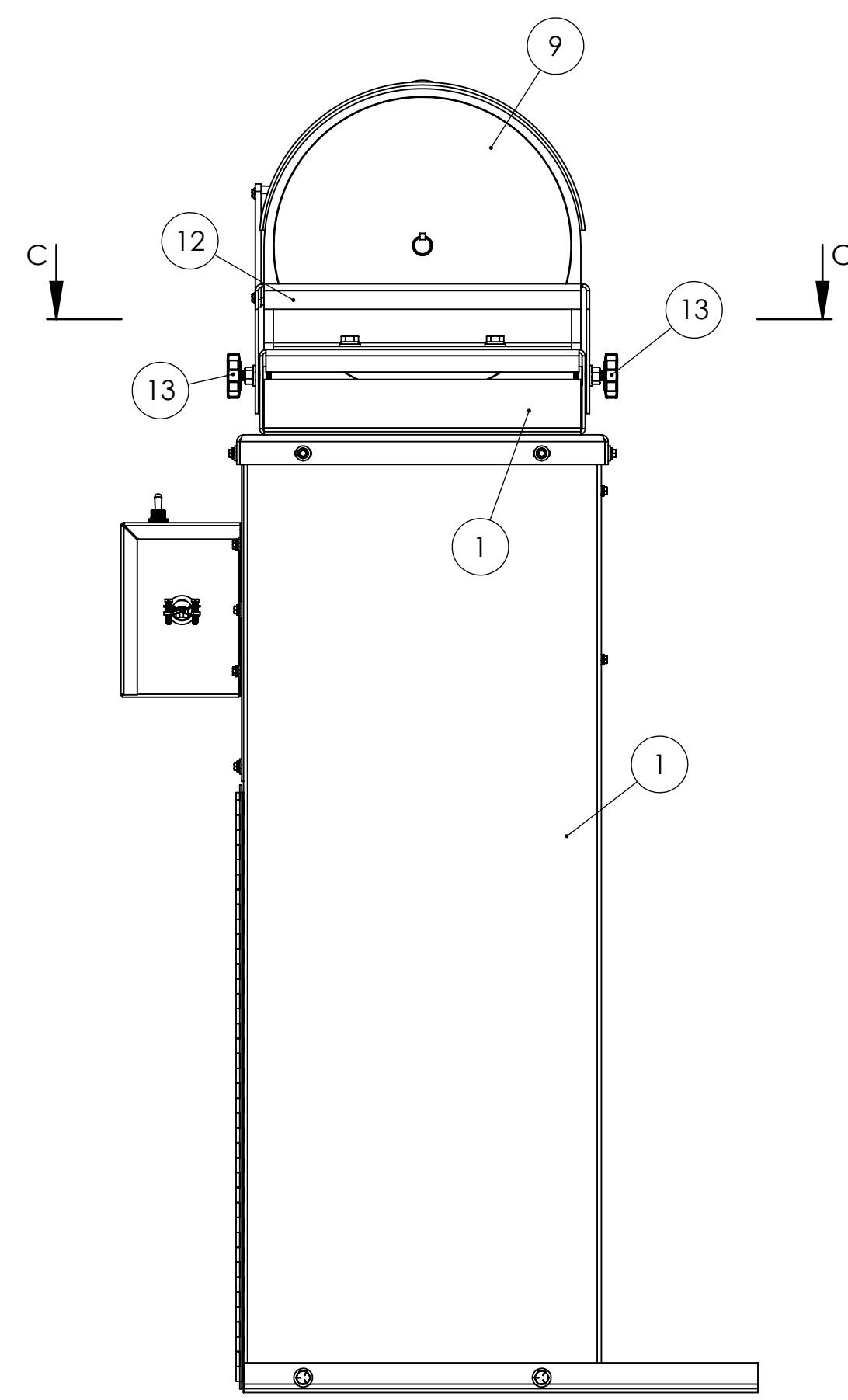
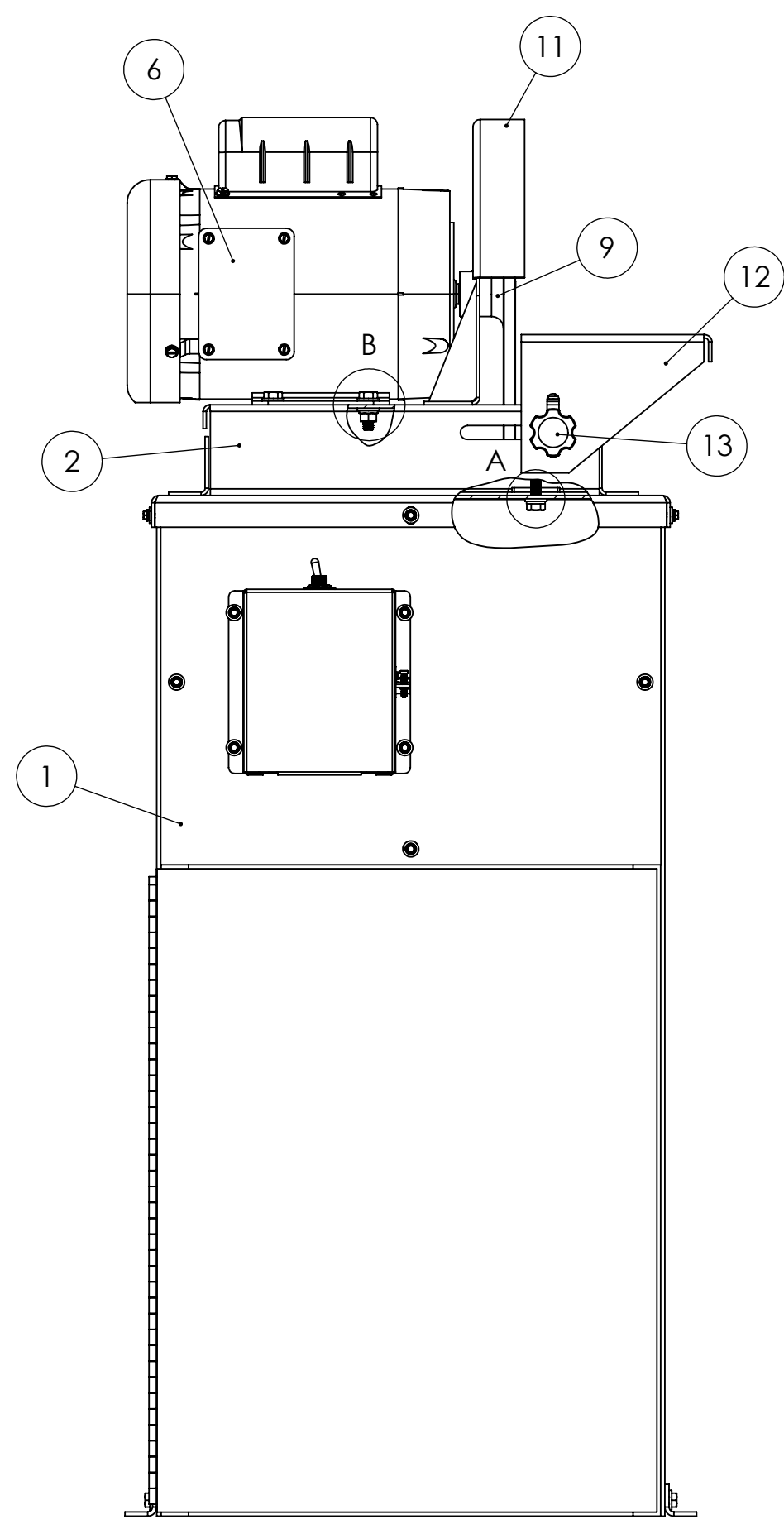
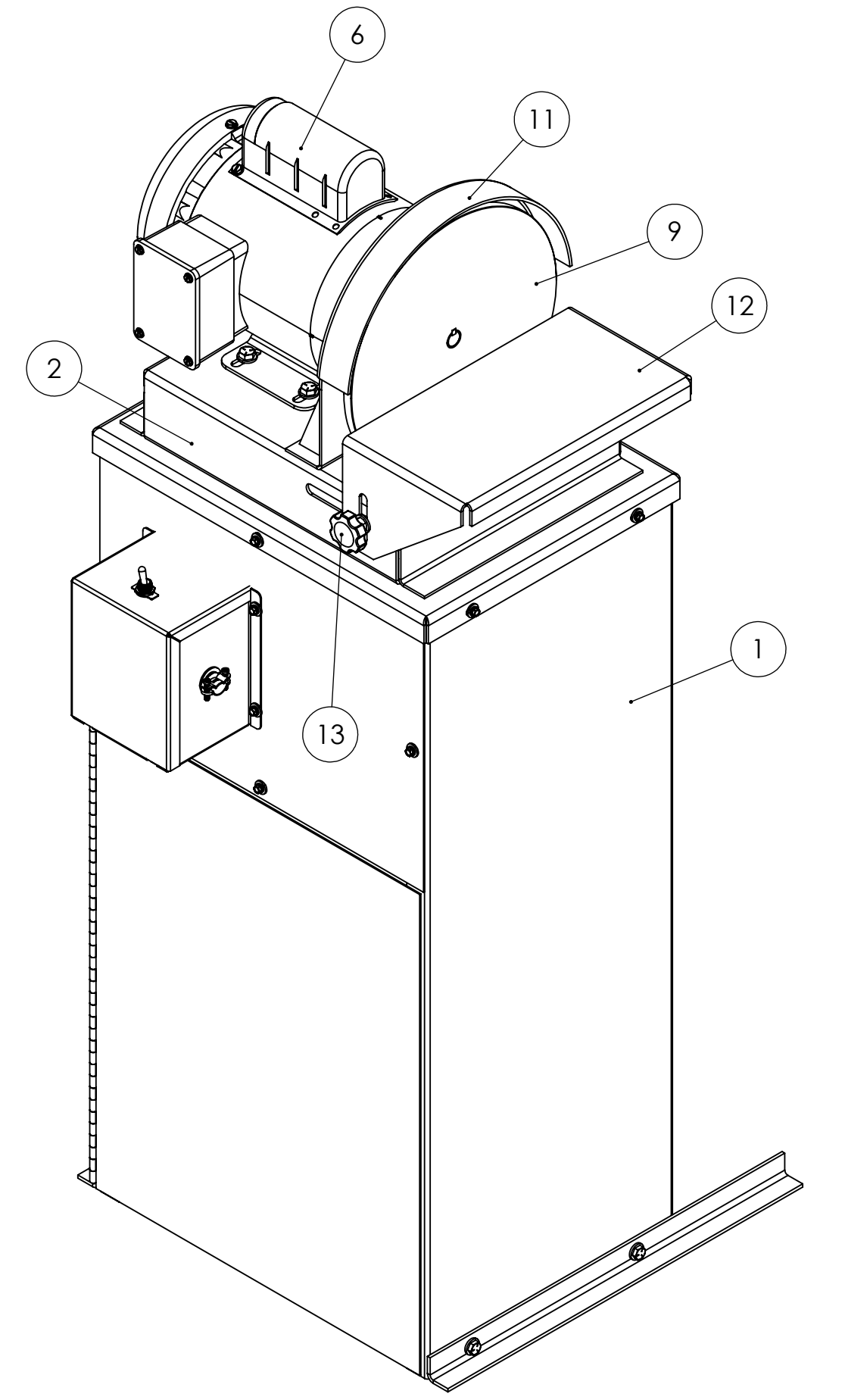
DETAIL B
SCALE 1 : 1
ATTACHING MOTOR TO
BASE DETAILS



DETAIL D
SCALE 1 : 1
ATTACHING DISC GUARD
TO BASE DETAILS



DETAIL E
SCALE 1 : 1
ATTACHING WORK LABEL
TO BASE DETAILS



PLEASE CONSULT DCV-4 DRAWING FOR
DUST COLLECTOR DETAILS

PROPRIETARY/CONFIDENTIAL
THE INFORMATION CONTAINED IN THIS
DRAWING IS THE SOLE PROPERTY OF
KALAMAZOR TOOL CO. ANY
REPRODUCTION IN PART OR AS A WHOLE
WITHOUT THE WRITTEN PERMISSION OF
KALAMAZOR TOOL CO. IS
PROHIBITED.

UNLESS OTHERWISE SPECIFIED:	NAME	DATE
DIMENSIONS ARE IN INCHES	DRAWN	
TOLERANCES:	CHECKED	
FRACTIONS 1/8		
ANGULAR 3/16" CHS	ENG APPR	
PROFILES DECIMAL 1/8	WFG APPR	
THREE PLACE DECIMAL 1/8		
INTERFERENCE GEOMETRIC TOLERANCES FIT		
MATERIAL:	COMMENTS:	
NEAT ASSEY	USED ON	FINISH
APPLICATION	DO NOT SCALE DRAWING	

TITLE: DS10 DISC SANDER W DCV-4 DUST COLLECTOR
 SIZE DWG. NO. E DS10V
 SCALE: 1:5 WEIGHT: SHEET 1 OF 1