

KALAMAZOO INDUSTRIES, INC.
6856 EAST K AVENUE
KALAMAZOO, MI 49048-6042
269-382-2050 PH 269-382-0790 FAX
Web site:
www.kalamazooindustries.com

INSTRUCTION MANUAL
MODEL DS10V

DATE PURCHASED _____
SERIAL # _____

KALAMAZOO INDUSTRIES, INC.

6856 EAST K AVENUE
KALAMAZOO, MI 49048-6042

269-382-2050 PHONE
269-382-0790 FAX

WEBSITE: www.kalamazooindustries.com

WARRANTY

- All products are guaranteed for a period of one year to the original purchaser, against defects in material workmanship under normal use.
- Electric motors are warranted by the motor manufacturer and will be repaired by the nearest motor repair station. If non-repairable, they will be replaced by Kalamazoo Industries. Please call for instructions.

RETURN POLICY

- Authorization must be obtained before returning merchandise. Please call our customer service department for a return authorization number at 269-382-2050.
- Please include with your return a copy of your invoice or packing slip.
- Materials must be sent back prepaid. (Unless otherwise indicated).
- All returns will be subject to a 10% restocking charge.
- No returns will be accepted after one year of invoice date.

DO YOU KNOW THAT

If these goods are damaged in transit, the DELIVERING TRANSPORTATION COMPANY is required by law to make notation of damages on the freight bill.

If in your opinion, there may be concealed damage, they are required to make an inspection after goods are unpacked. Transportation rates are made in proportion to damage.

Therefore, the carrier and NOT the shipper should be charged with any loss or damage. Any claim should be filed with the delivering Transportation Company.

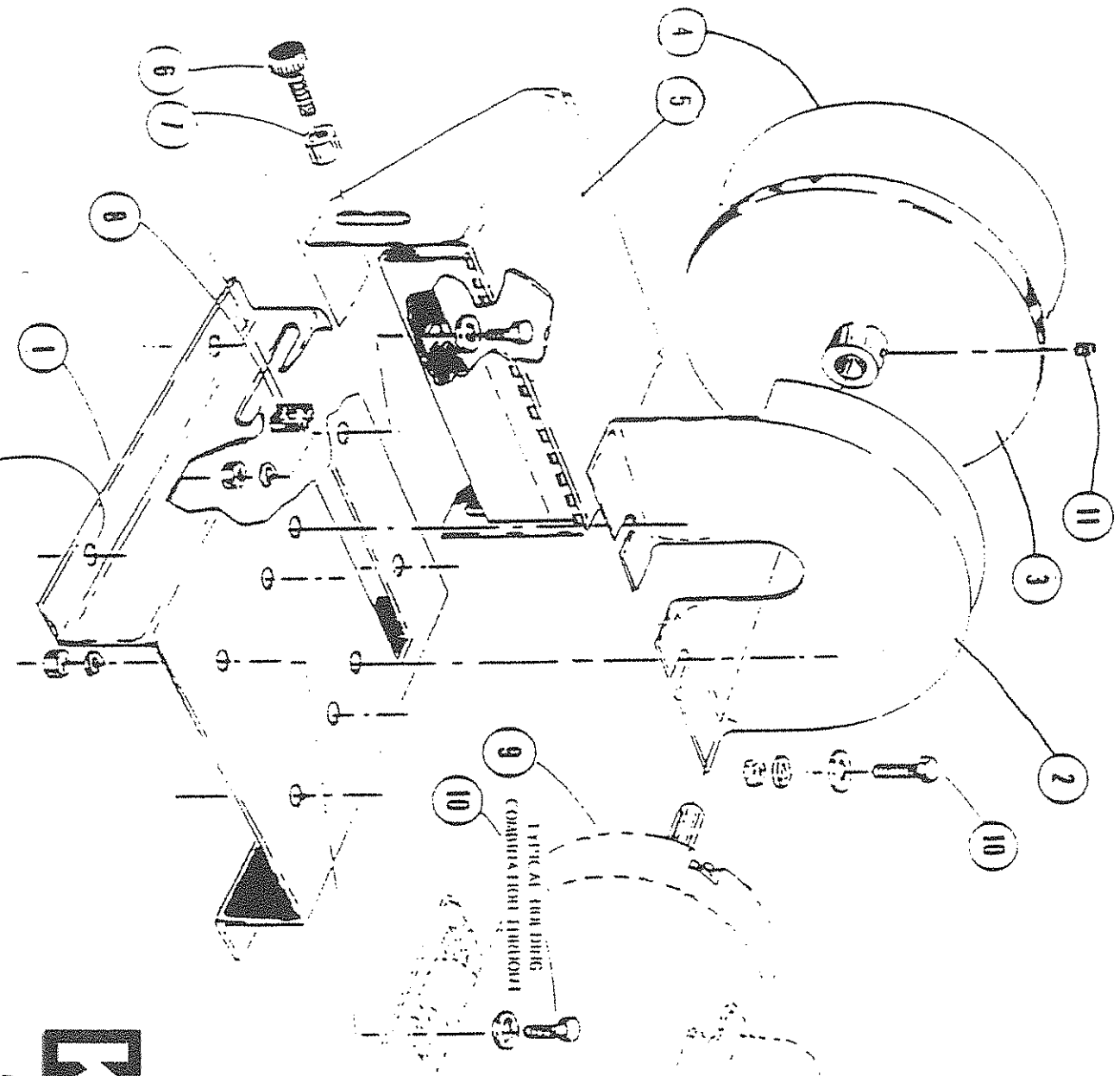
**PLEASE DO NOT RETURN GOODS TO US
WITHOUT OUR RGA NUMBER AND SHIPPING INSTRUCTIONS.**

INSTRUCTION SHEET FOR DISC SANDERS

1. THIS MACHINE REQUIRES NO LUBRICATION AS THE BEARINGS ARE SEALED FOR LIFE
2. ALWAYS KEEP THE ALUMINUM SANDING DISC CLEAN SO THAT THE SANDING PAPER WILL ADHERE WELL.
3. THE SANDING TABLE IS ADJUSTABLE. KEEP THE TABLE WITHIN 1/8" OF THE SANDING DISC.
4. ALWAYS HOLD THE PART TO BE SANDED SECURELY. SAND PART ON THE DOWNWARD ROTATION SIDE OF THE SANDING DISC
5. WEAR PROPER RESPIRATORY PROTECTION TO PROTECT AGAINST DUSTS AND/OR VAPOR CREATED WHILE SANDING
6. KEEP SAFETY GUARDS IN PLACE AT ALL TIMES.
7. ALWAYS WEAR SAFETY GLASSES AND KEEP LONG HAIR TIED BACK.

KALAMAZOO INDUSTRIES, INC.
6856 EAST K AVENUE
KALAMAZOO, MI 49048-6042
269-382-2050 PHONE 269-382-0790 FAX

PARTS LIST FOR DS10 DISC SANDER



NO.	PART NO.	DESCRIPTION	QTY
1	050-022	BASE-DS10	1
2	342-029	DISC GUARD-DS10	1
3	160-001	10" ALUMINUM DISC	1
4	KD1080	PAPER DISC	1
5	829-014	TABLE ASSEMBLY-DS10	1
6	441-017	HOLDING KNOB	2
7		SPACER	2
8		WELD NUT	2
9	486-011	L3504 1/2HP, 1PH MOTOR	1
10		MOUNTING SCREWS	8
11		SET SCREW	1

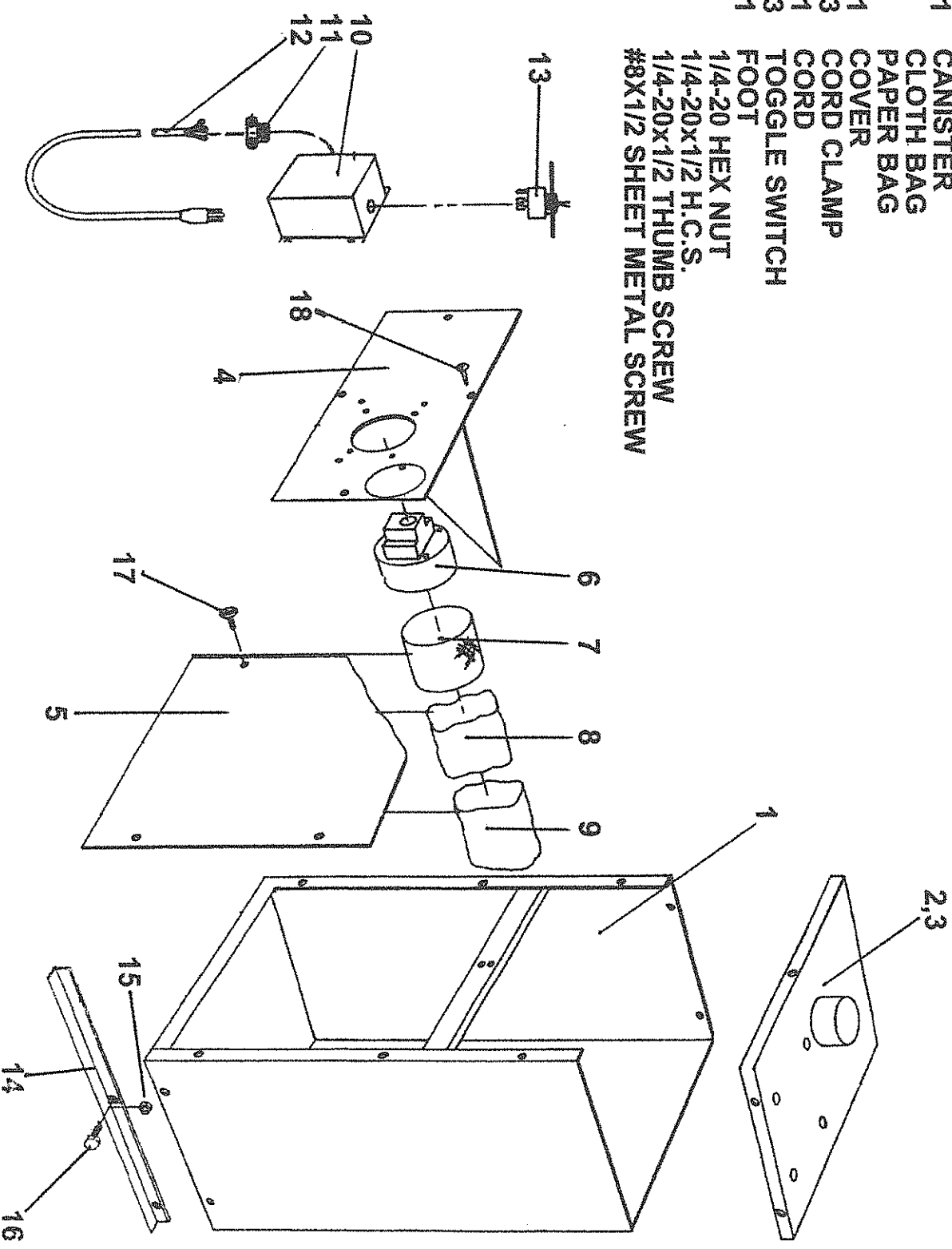


6856 East K Avenue - Kalamazoo, MI 49048-6042
 Phone 269-382-2050 Fax 269-382-0790
 www.kalamazooindustries.com



6856 East K Avenue - Kalamazoo, MI 49048-6042
 Phone 269-382-2050 Fax 269-382-0790
 www.kalamazooindustries.com

ITEM	PART NO.	DESCRIPTION
1	124-001	CABINET
2	833-001	TOP FOR SAS
3	833-002	TOP FOR DS10
4	540-002	MOUNTING PANEL
5	162-001	DOOR
6	486-005	VACUUM MOTOR
7	120-001	CANISTER
8	5X878	CLOTH BAG
9	22211	PAPER BAG
10	122-001	COVER
11	146-003	CORD CLAMP
12	159-001	CORD
13	710-003	TOGGLE SWITCH
14	294-001	FOOT
15	1/4-20 HEX NUT
16	1/4-20x1/2 H.C.S.
17	1/4-20x1/2 THUMB SCREW
18	#8X1/2 SHEET METAL SCREW



MODEL DCV-4

DIMENSIONS:
 12"L x 16"W x 32"H