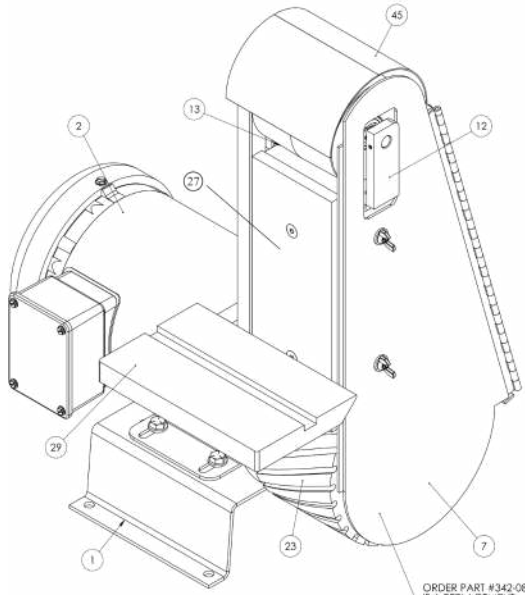
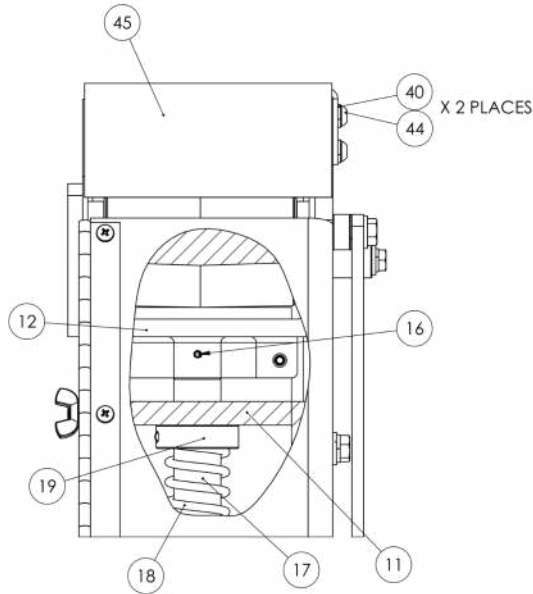


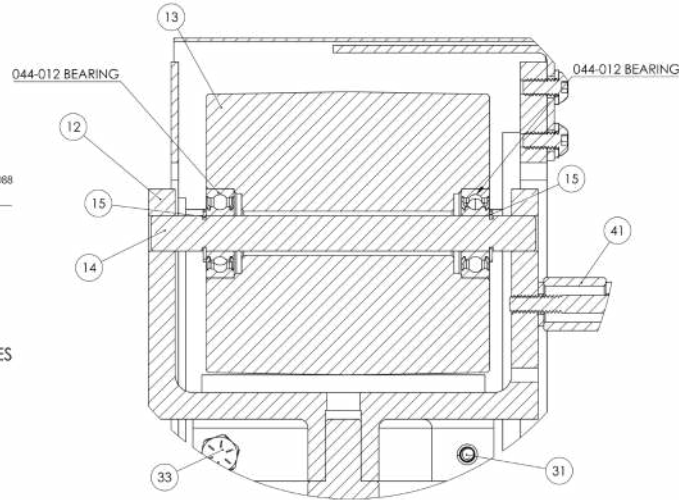
# BG448 4 X 48 INCH BELT GRINDER REPLACEMENT PARTS LIST



ORDER PART #342-088  
IF A REPLACEMENT  
DOOR IS NEEDED



YOKE FRAME TO  
YOKE SHAFT ATTACHMENT  
AND  
UMBRELLA GUARD TO  
MAIN FRAME



ITEM NO.	PART NUMBER	DESCRIPTION	QTY.
1	829-055	BASE FOR BG448 TO BENCH MOUNT MACHINE	1
2	486-007CF	3HP SD, 3450RPM, 3PH, 220/440V, TEFC C-FACE, 56C, F3 35E3612-5561G1 FOR BG448	1
3	HHC5031016	5/16-18 X 1 FHCS GR5 Z	9
4	SLWZ031	5/16 SPLIT L/W Z	8
5	UFWZ031	5/16 USS F/W Z	13
6	FHN5031	5/16-18 FHN GR5 ZINC	5
7	291-051	FABRICATED MAIN FRAME ASSEMBLY FOR BG448	1
8	SHCA037016	3/8-16 X 1 SHCS	2
9	SLWZ037	3/8 SPLIT L/W Z	3
10	UFWZ037	3/8 USS F/W Z	3
11	291-050	FABRICATED YOKE SHAFT FRAME FOR BG448	1
12	960-002	YOKE FOR S4 SANDER	1
13	560-006AL	BG448 IDLER PULLEY W BEARINGS	1
14	701-008S	IDLER SPINDLE FOR BG448 BELT GRINDER	1
15	EERR0.5	EERR1/2 1/2" E RETAINING RING	2
16	SSKA010004	10-24 X 1/4 SOC SET KNURL PT	2
17	700-042	YOKE SHAFT FOR BG448	1
18	697-024	S6 BELT TENSION SPRING	1
19	123-034	TENSION SHAFT COLLAR FOR BG448	1
20	292-023B	WHEEL ADAPTOR FOR 936-01B AND 936-033	1
21	292-023C	SPINDLE ADAPTOR FOR BG448	1
22	292-027	LOOSE FLANGE FOR WHEEL ADAPTOR FOR 2FS72 AND BG448 (NEW STYLE)	1
23	936-033 ASSY	8" X 4" SERRATED CONTACT WHEEL ASSY.	1
24	SSDA025008	1/4-20 X 1/2 SOC SET FULL DOG PT.	3
25	049-062	P2-1-1/8 SPLIT TAPER BUSHING FOR KS390HV, 490HV, BG448, 690HV-SHP DRIVE WHEEL	1
26	FSCA037016	3/8-16 X 1 FHCS	3
27	563-044	PLATEN FOR BG448	1
28	FSCA025016	1/4-20 X 1 FHCS	2
29	829-034	CAST IRON WORK TABLE FOR S272, S460, AND BG448	1
30	HHC5037020	3/8-16 X 1-1/4 FHCS GR5 Z	1
31	CRMZ010024	10-24 X 1-1/2 COMBO ROUND M/S Z	1
32	697-011	TRACKING SPRING FOR S4	1
33	HHC5031020	5/16-18 X 1-1/4 FHCS GR 5 Z	1
34	SSSA025022	1/4-20 X 1-3/8 SOC SET COP PT.	2
35	FHN5025	1/4-20 FHN GR5 Z	2
36	UFWZ025	1/4 USS F/W Z	6
37	WGNZ025	1/4-20 FORGED WING NUT Z	2
38	381-023	TENSION RELEASE HANDLE FOR BG448M	1
39	HHC5025024	HEX HEAD CAP SCREW 1/4-20 X 1-1/2 ZINC	1
40	SLWZ025	1/4 SPLIT L/W Z	3
41	29110570X1	1 INCH OF RAW MATERIAL 29110570	1
42	BWWA031	5/16 BOWED SPRING WASHER 21/64	1
43	29110570X0.375	3/8 OF RAW MATERIAL 29110570	1
44	BSCA025008	1/4-20 X 1/2 BSCHCS	2
45	342-01D	UMBRELLA GUARD ASSEMBLY FOR BG448 SANDER	1