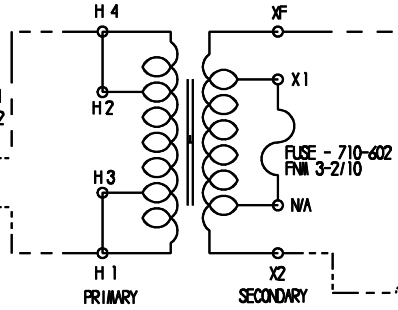


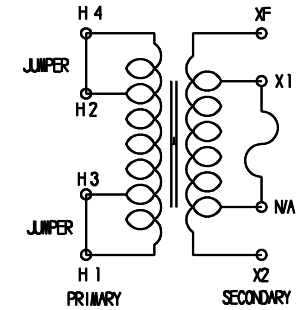
# WIRING SCHEMATIC FOR S8 HD SANDER 3 PHASE POWER

## TRANSFORMER

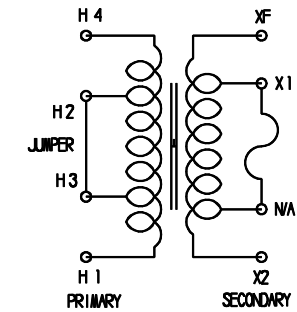
240 VOLT FUSES - 710-605 - FND-R-1  
 480 VOLT FUSES - 710-606 - FND-R-1/2



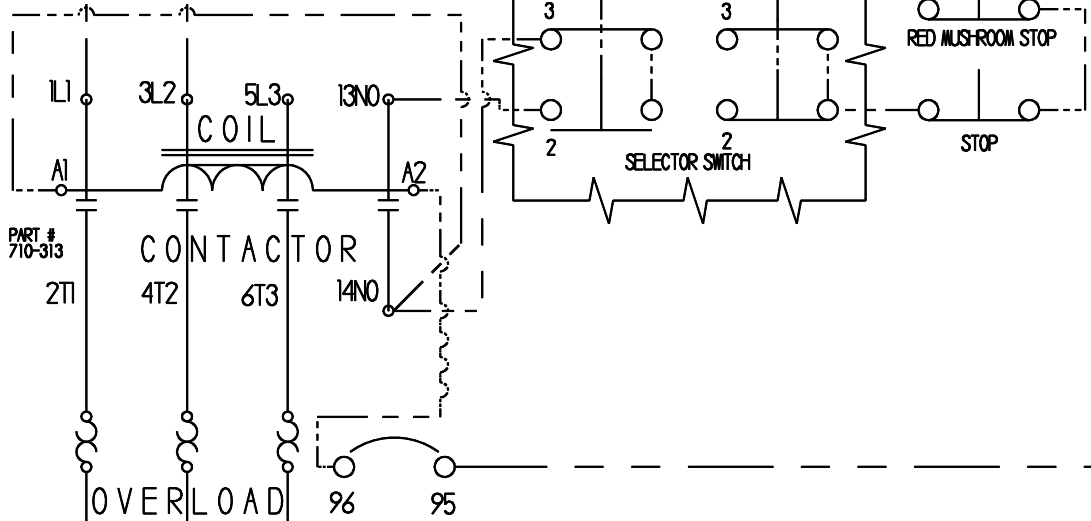
## TRANSFORMER SET FOR 240 VOLT



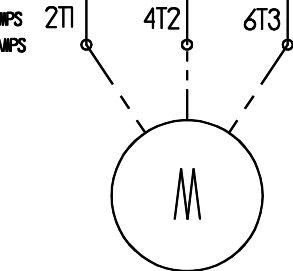
## TRANSFORMER SET FOR 480 VOLT



CONNECT SUPPLY VOLTAGE TO 1L1, 3L2, AND 5L3

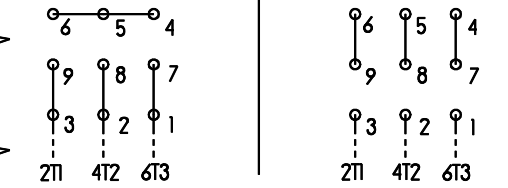


240 VOLT - 710-638 - 22 AMPS  
 480 VOLT - 710-634 - 11 AMPS



THREE PHASE MOTOR DRIVE

## MOTOR LEAD CONNECTION



3 PHASE LOW VOLTAGE INTERCHANGE TWO MOTOR LEADS TO REVERSE ROTATION 3 PHASE HIGH VOLTAGE

