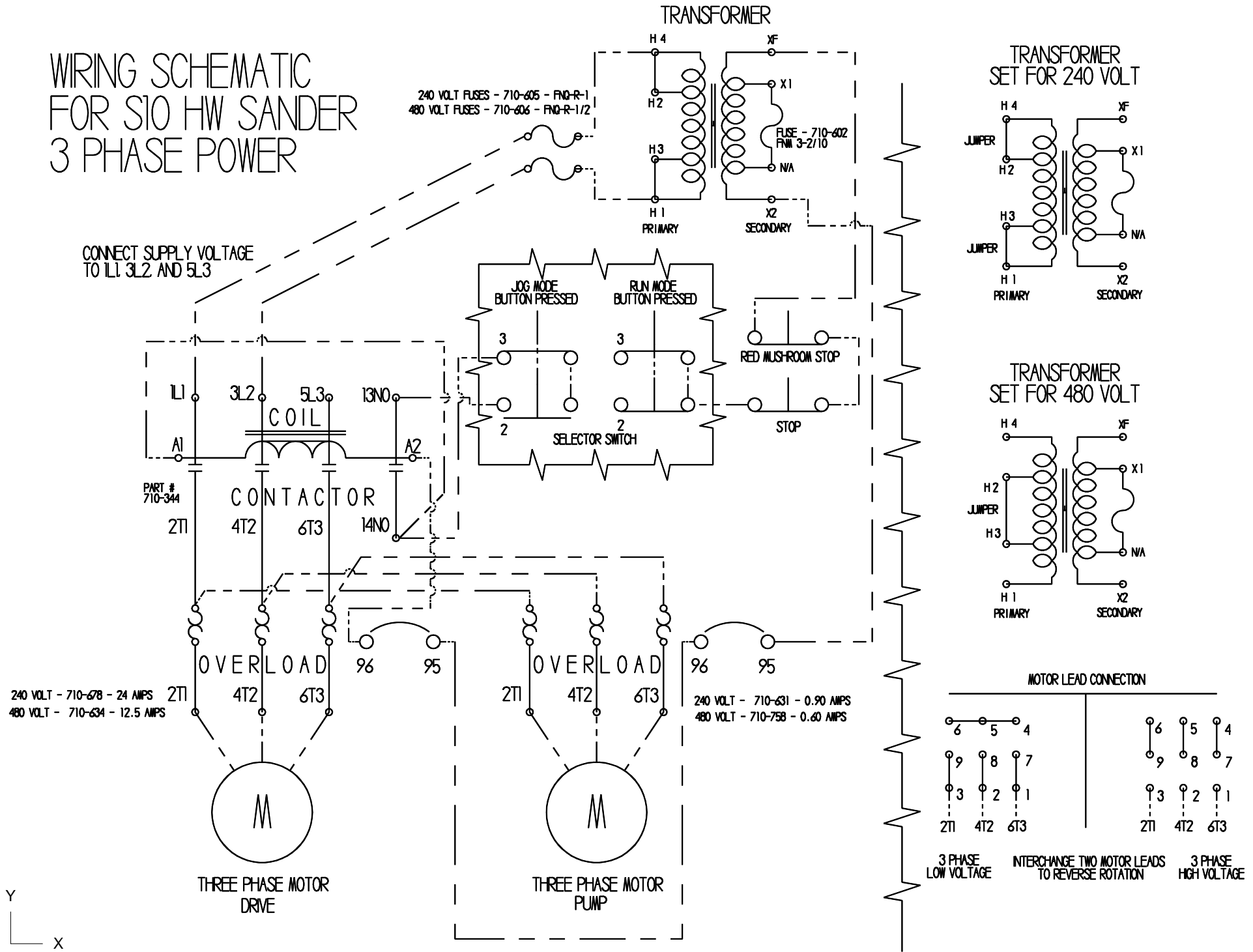


WIRING SCHEMATIC FOR S10 HW SANDER 3 PHASE POWER

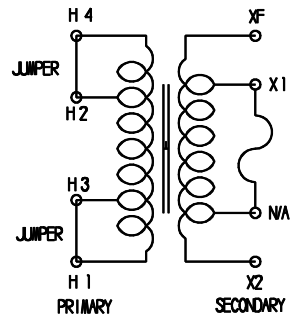


240 VOLT - 710-678 - 24 AMPS
480 VOLT - 710-634 - 12.5 AMPS

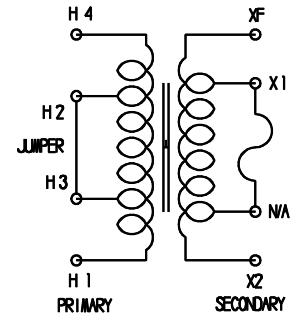
240 VOLT FUSES - 710-605 - FND-R-1
480 VOLT FUSES - 710-606 - FND-R-1/2

FUSE - 710-602
FNM 3-2/10

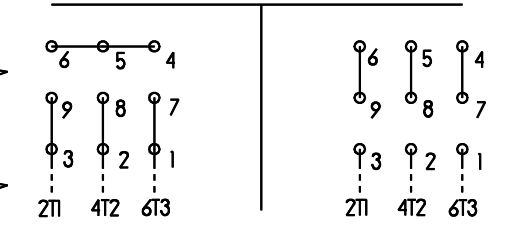
TRANSFORMER SET FOR 240 VOLT



TRANSFORMER SET FOR 480 VOLT



MOTOR LEAD CONNECTION



3 PHASE LOW VOLTAGE INTERCHANGE TWO MOTOR LEADS TO REVERSE ROTATION 3 PHASE HIGH VOLTAGE

