

WIRING SCHEMATIC FOR SIO DRY SANDER 3 PHASE POWER

WIRING SCHEMATIC FOR SIO HW SANDER 3 PHASE POWER

240 VOLT FUSES - 710-605 - FND-R-1
480 VOLT FUSES - 710-606 - FND-R-1/2

240 VOLT FUSES - 710-605 - FND-R-1
480 VOLT FUSES - 710-606 - FND-R-1/2

CONNECT SUPPLY VOLTAGE TO LI 3L2 AND 9L3

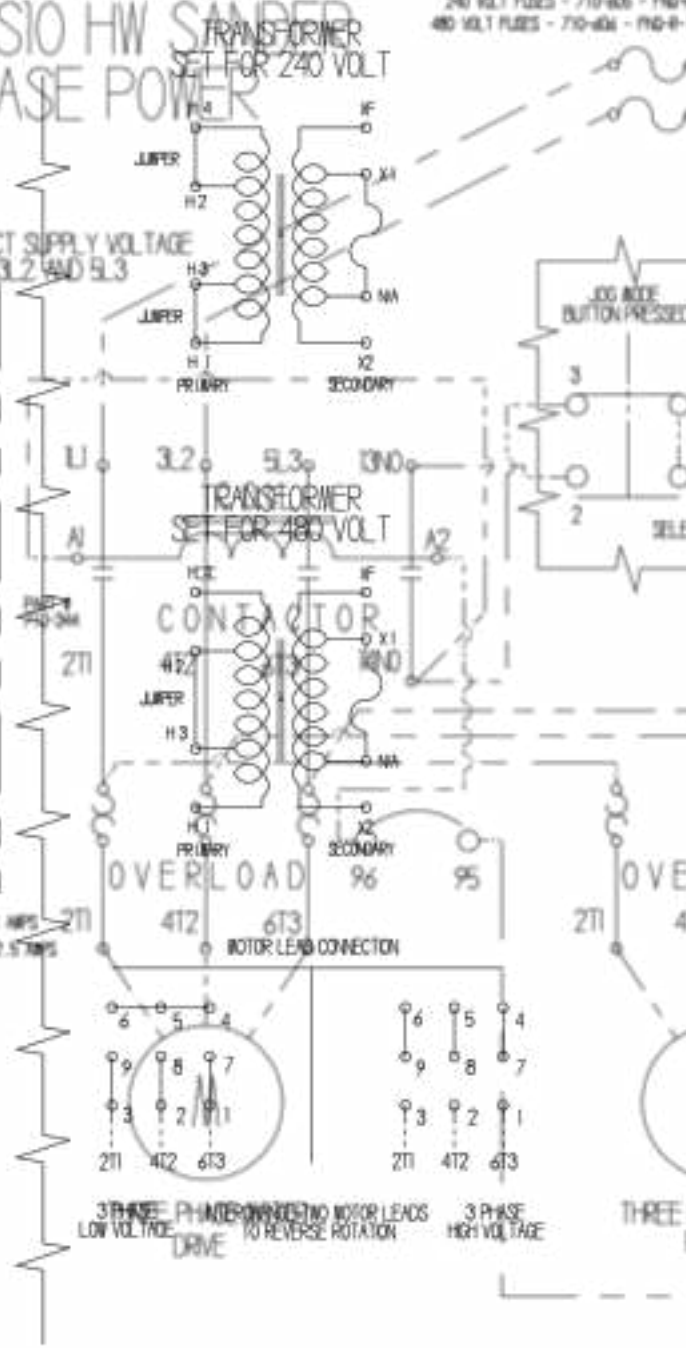
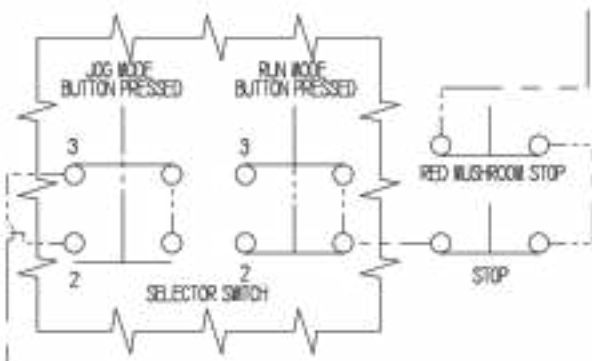
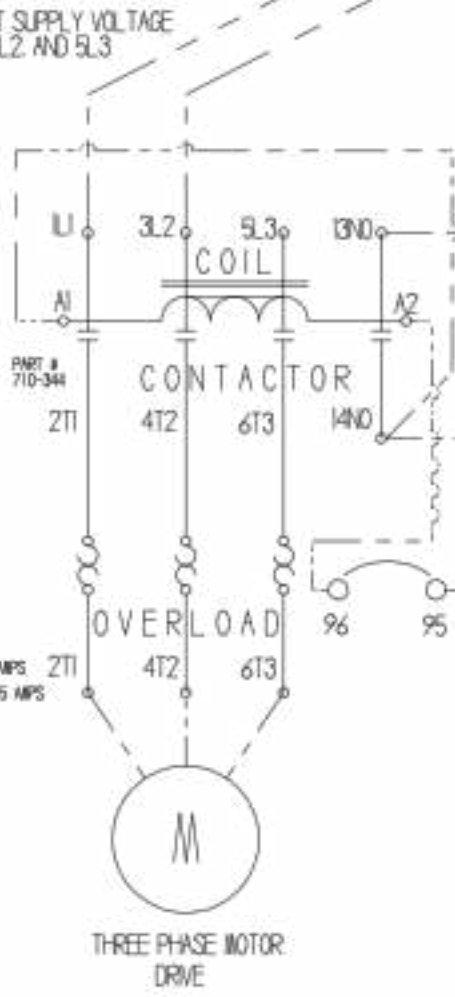
CONNECT SUPPLY VOLTAGE TO LI 3L2 AND 9L3

240 VOLT - 710-678 - 24 AMPS
480 VOLT - 710-634 - 12.5 AMPS

240 VOLT - 710-678 - 24 AMPS
480 VOLT - 710-634 - 12.5 AMPS



inch



3 PHASE PHASE WINDING TO MOTOR LEADS TO REVERSE ROTATION DRIVE
LOW VOLTAGE

3 PHASE HIGH VOLTAGE

THREE P