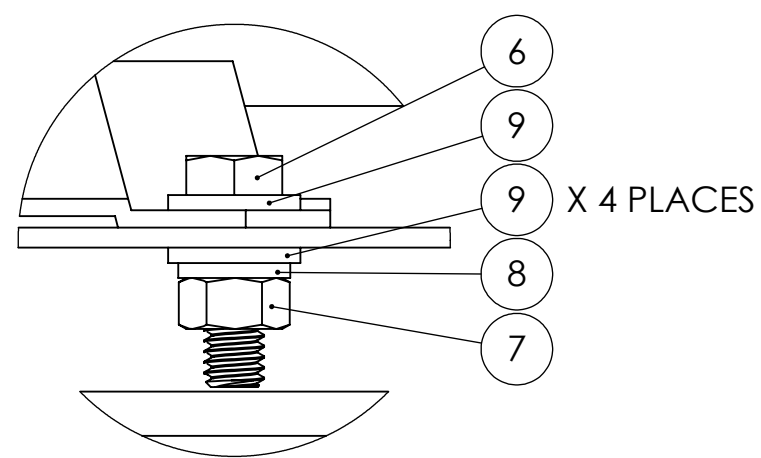
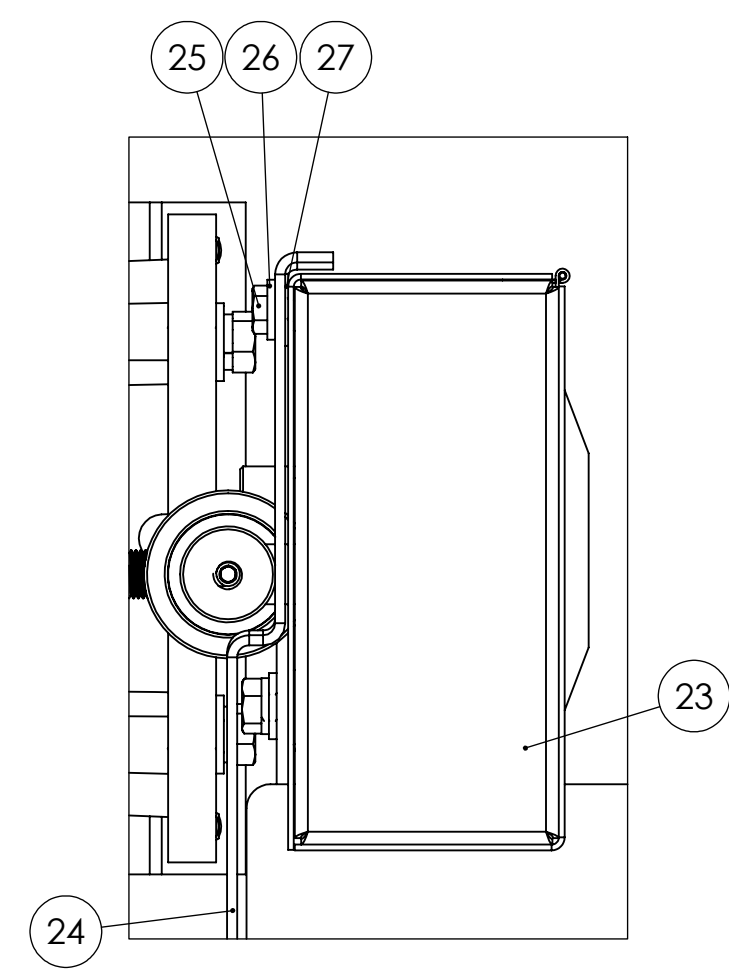


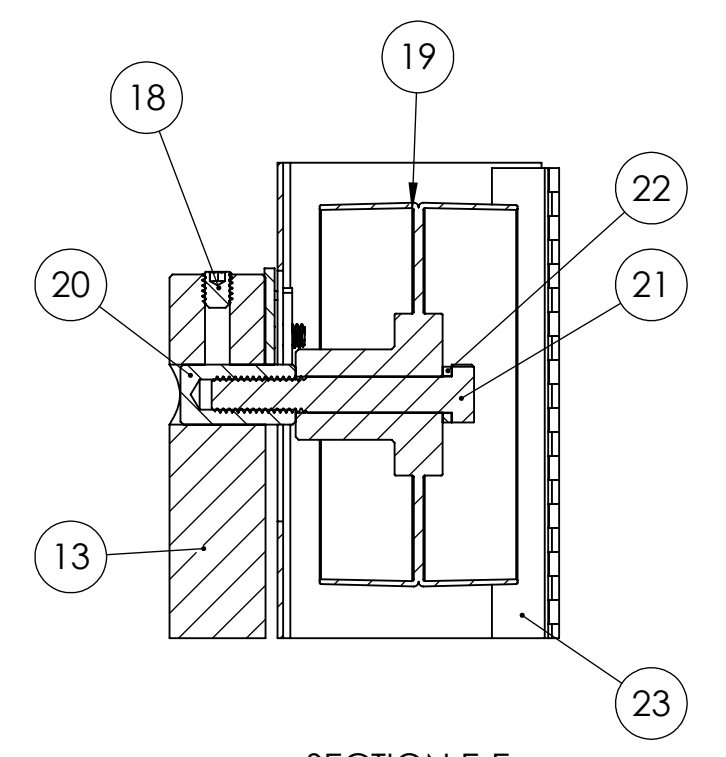
ITEM NO.	PART NUMBER	DESCRIPTION	QTY.
1	DCV-4(2FSMV)	DCV-4 DUST COLLECTOR FOR 2FSMV APPLICATION	1
2	HHC5025012	1/4-20 X 3/4 HHCS GR5 Z	4
3	SLW2025	1/4 SPLIT L/W Z	4
4	829-053A	TOP BASE FOR 2FSM (NEW STYLE)	1
5	486-022	1/2HP MOTOR FOR 2FSM, S4S AND S612V VAC MOTOR	1
6	HHC5031016	5/16-18 X 1 HHCS GR5 Z	4
7	FHN5031	5/16-18 FHN GR5 ZINC	6
8	SLW2031	5/16 SPLIT L/W Z	7
9	UFW2031	5/16 USS F/W Z	11
10	832-023	TUBE AND RING ASSEMBLY FOR 2FSM AND DS10-2M	1
11	936-007	DRIVE PULLEY WITH HUB FOR 2FSM AND DS10-2M NEW STYLE	1
12	697-013	TENSION SPRING FOR 2FS, 2FS72, 2FSM, BG142, 2FS72M, K12-148	1
13	645-008	TENSION ROD FOR 2FS, 2FSM, 2FS72, 2SK7 SANDERS	1
14	HHC5031032	5/16-18 X 2 HHCS GR5 Z	2
15	550-007	STANDARD PLATEN FOR 2 X 48 SANDERS	1
16	441-011	TRACKING KNOB FOR 2FS, 2FS72, 2FSM, 2SK7 SANDERS	1
17	123-004	TRACKING COLLAR FOR 2FS, 2FS72, 2FSM, 2SK7, BG142	1
18	SSKA031006	5/16-18 X 3/8 SOC SET KNURL PT.	1
19	936-030	STEEL IDLER PULLEY, NEW STYLE FOR 2FS, 2FSM, 2SK7	1
20	004-006	ADAPTOR FOR 936-003 IDLER PULLEY	1
21	HHC5037040	3/8-16 X 2-1/2 HHCS GR5 Z	1
22	SLW2037	3/8 SPLIT L/W Z	3
23	342-084V	FULL BOXED OSHA GUARD FOR 2FSMV W OPEN BOTTOM FOR VACUUM	1
24	342-084A	LEVER FOR 2FSM FULL BOXED OSHA GUARD	1
25	HHC5025008	1/4-20 X 1/2 HHCS GR5 Z	1
26	UFW2025	1/4 USS F/W Z	1
27	BWWA031	5/16 BOWED SPRING WASHER 21/64	1
28	HHC5031012	5/16-18 X 3/4 HHCS GR5 Z	1
29	829-004	WORK TABLE FOR 2", 4", DS10-4 SANDERS	1
30	HHC5037020	3/8-16 X 1-1/4 HHCS GR5 Z	2
31	UFW2037	3/8 USS F/W Z	2
32	SSKA025006	1/4-20 X 3/8 SOC SET KNURL PT.	1
33	EGSC500	EGSC500 1/2 D/C ESCR NMCC CONN	1
34	710-008	ON/OFF SWITCH PLATE	1
35	710-007	ON/OFF TOGGLE SWITCH 1185-G/20B	1



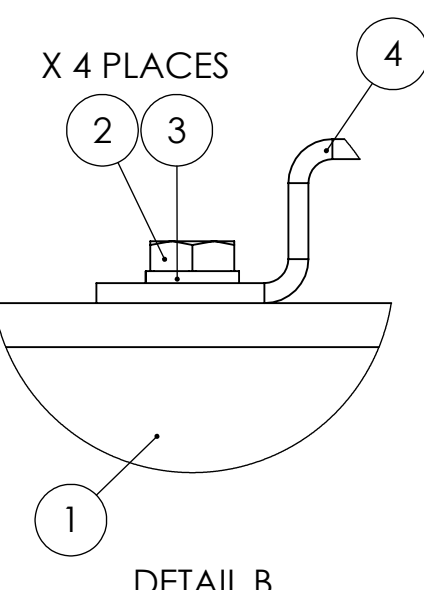
DETAIL A
SCALE 1 : 1
MOTOR MOUNT DETAILS



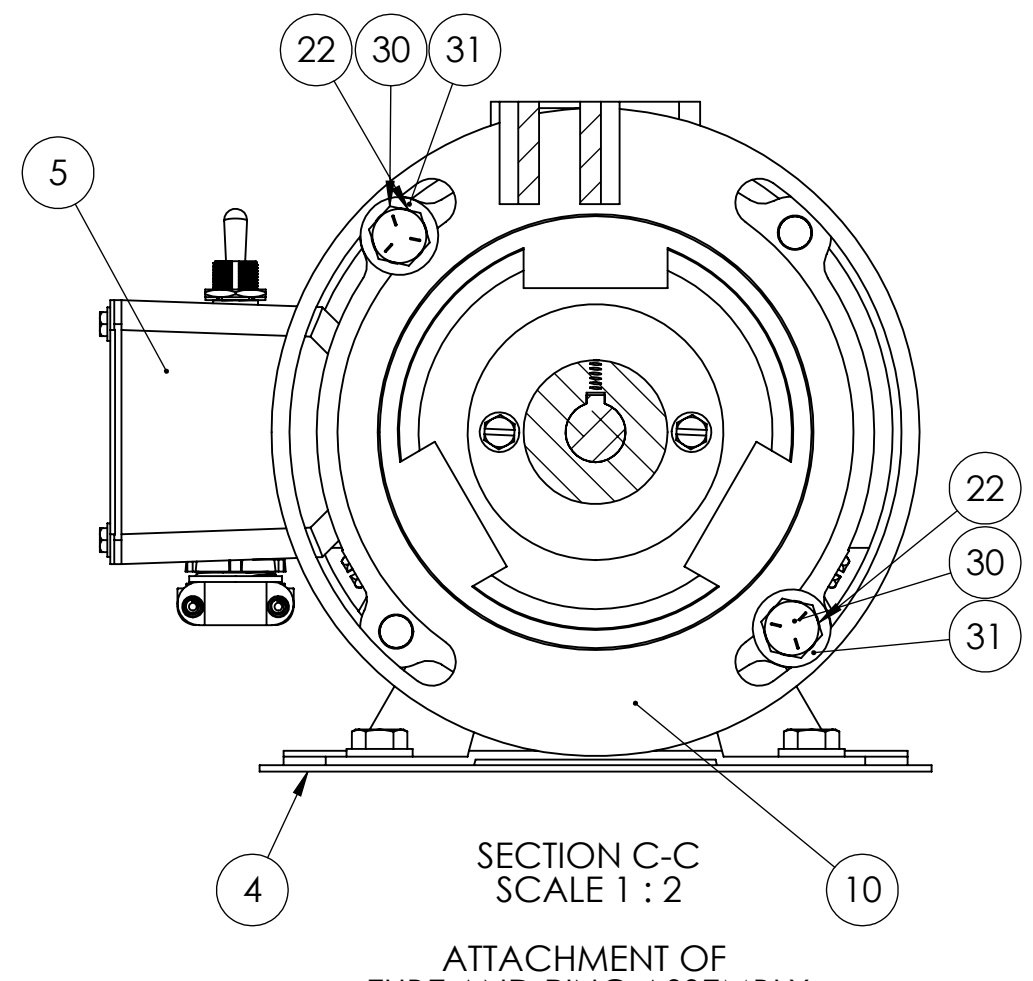
TOP VIEW OF OSHA BOX GUARD
TENSION LEVER DETAILS



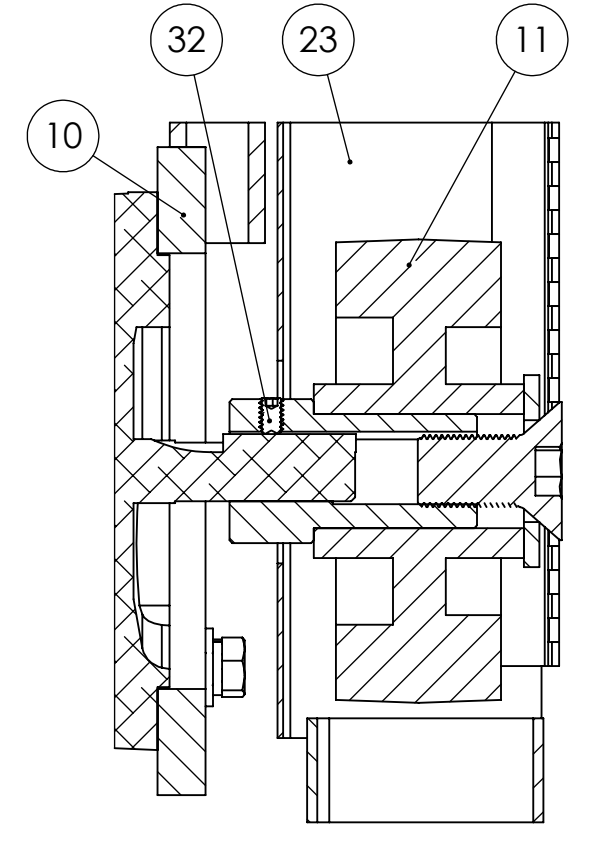
SECTION E-E
SCALE 1 : 2
IDLER PULLEY DETAILS



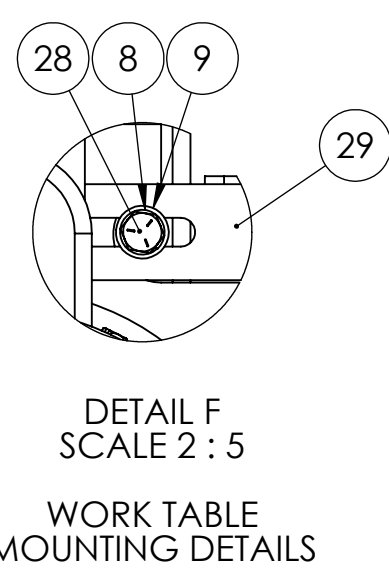
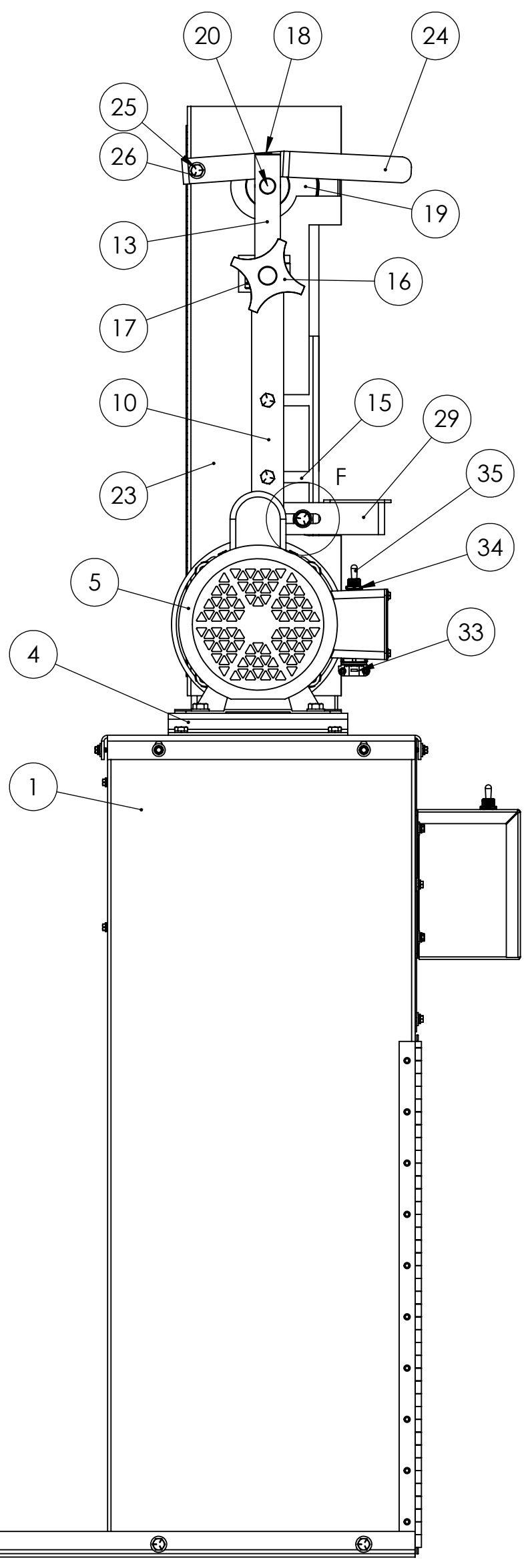
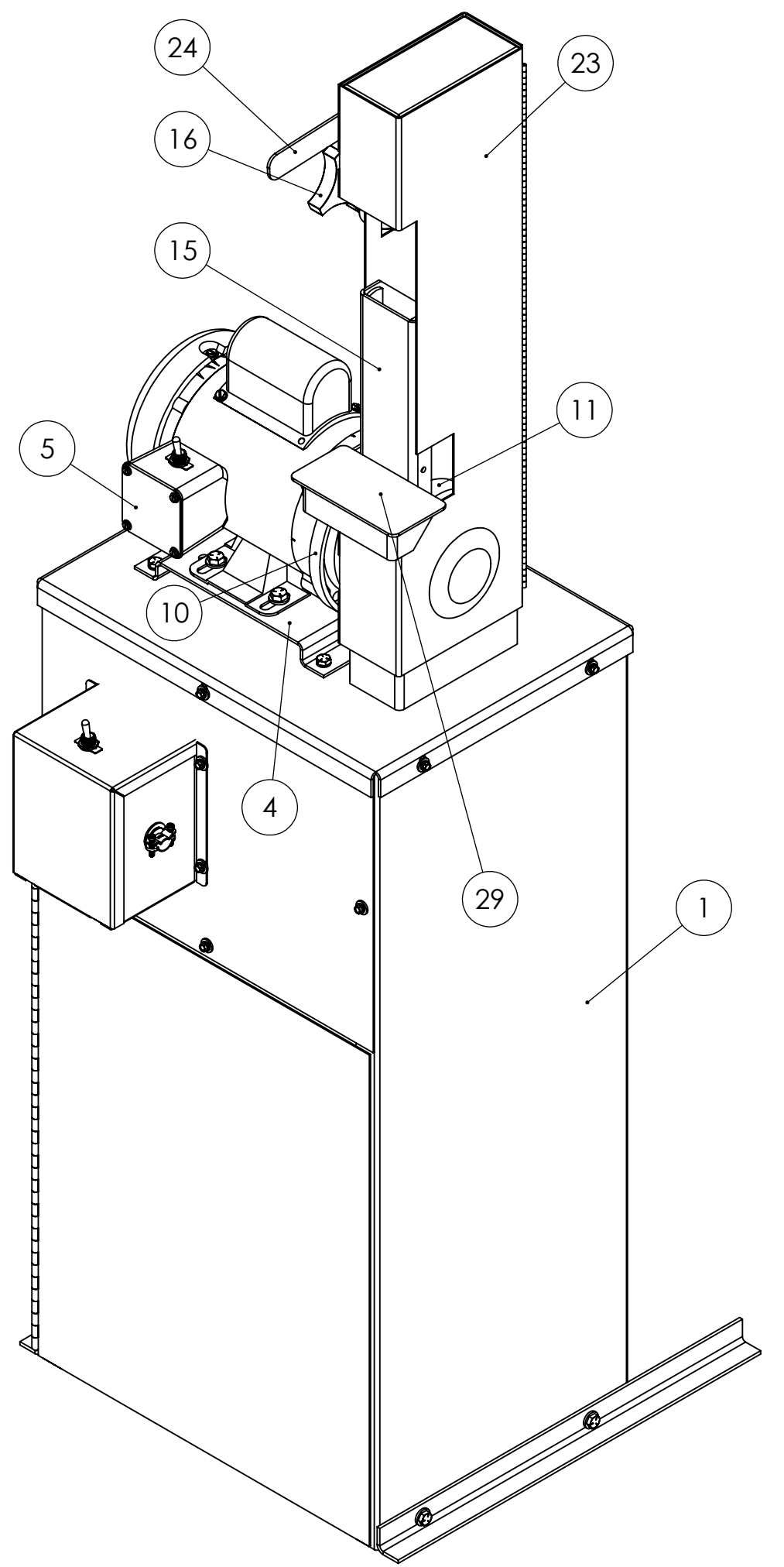
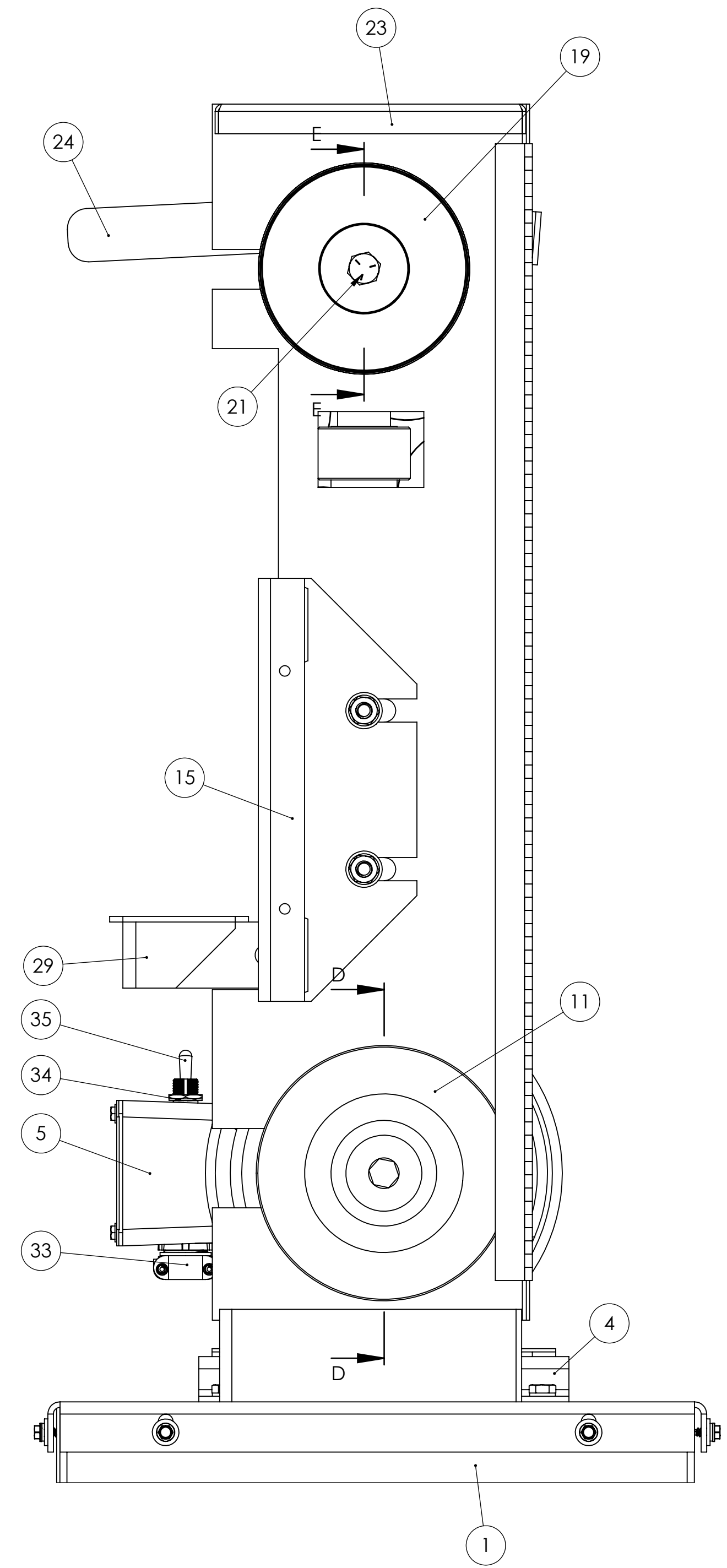
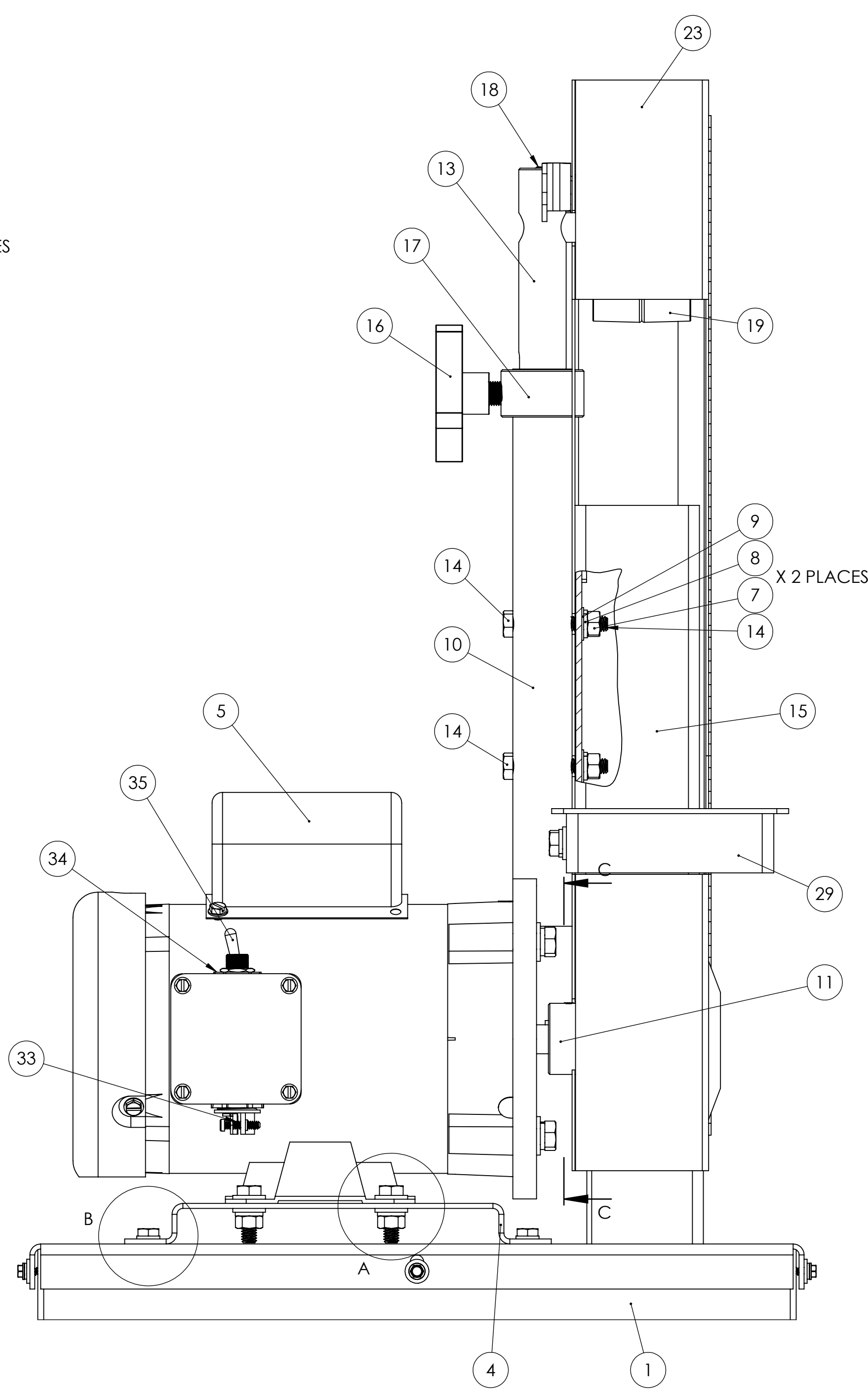
DETAIL B
SCALE 1 : 1
BASE ATTACHMENT TO
DUST COLLECTOR TOP
DETAILS



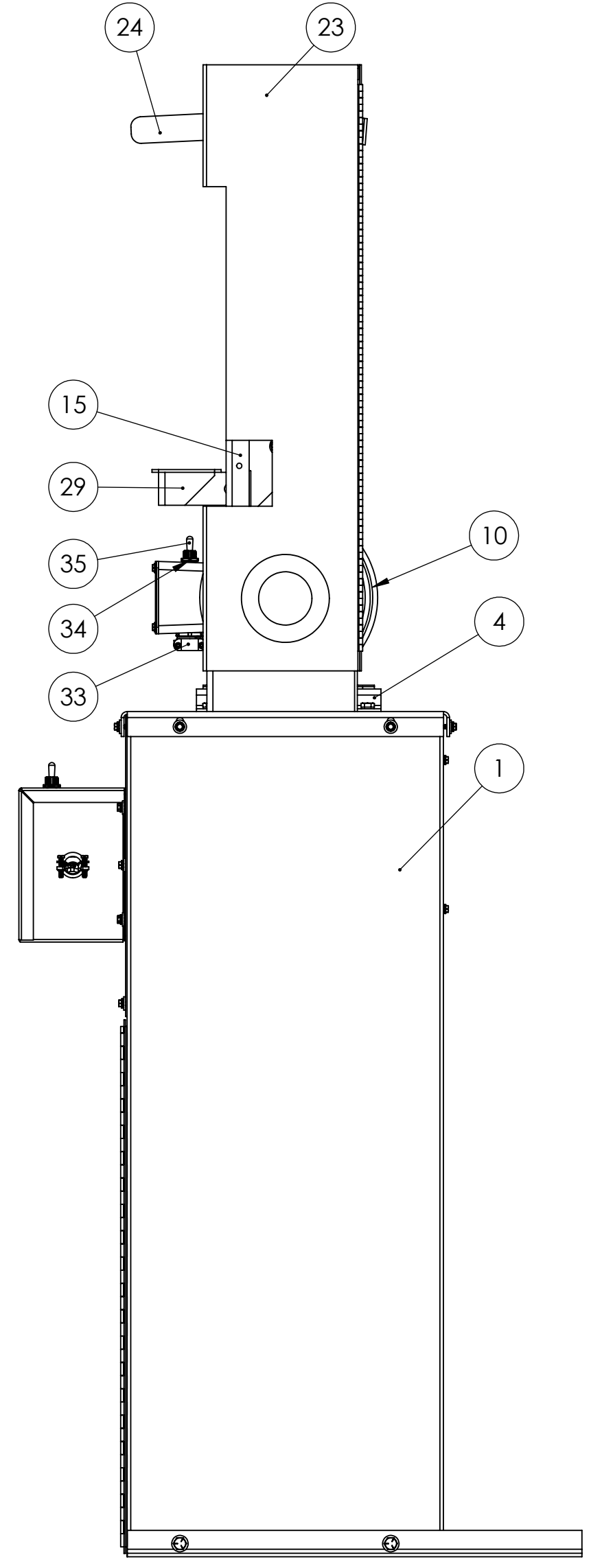
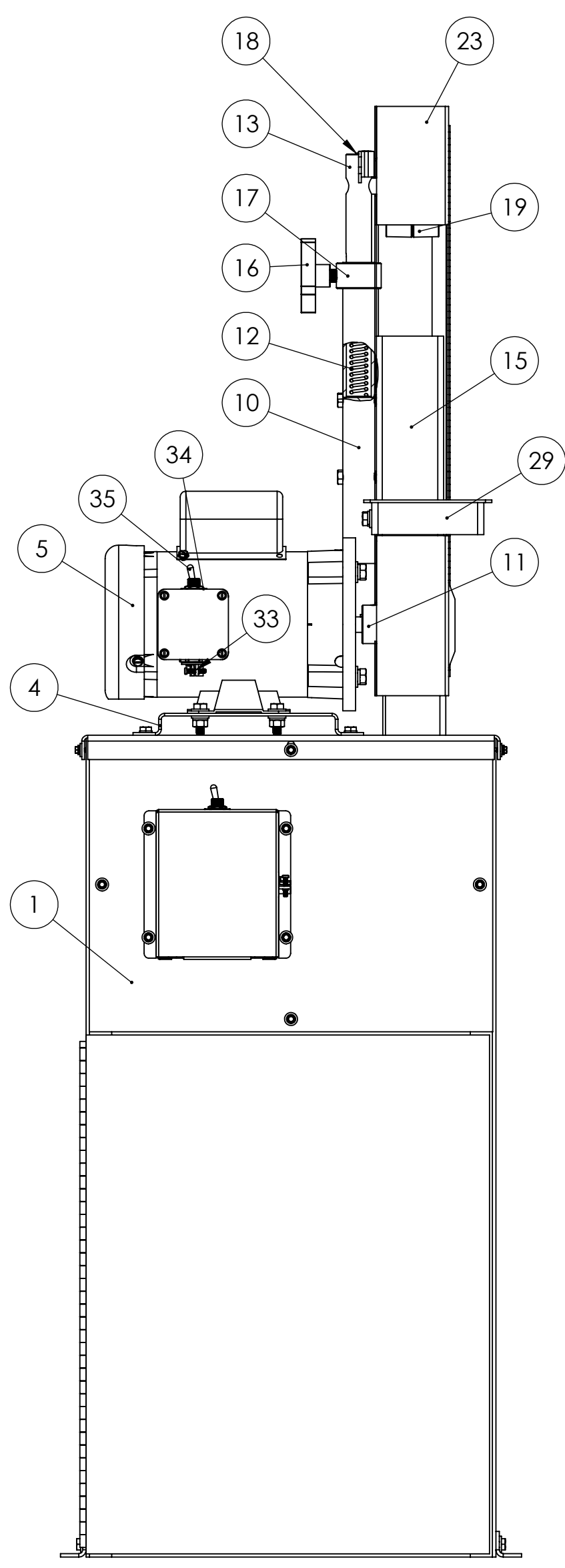
SECTION C-C
SCALE 1 : 2
ATTACHMENT OF
TUBE AND RING ASSEMBLY
TO MOTOR



SECTION D-D
SCALE 1 : 2
DRIVE PULLEY DETAILS



DETAIL F
SCALE 2 : 5
WORK TABLE
MOUNTING DETAILS



8

7

6

5

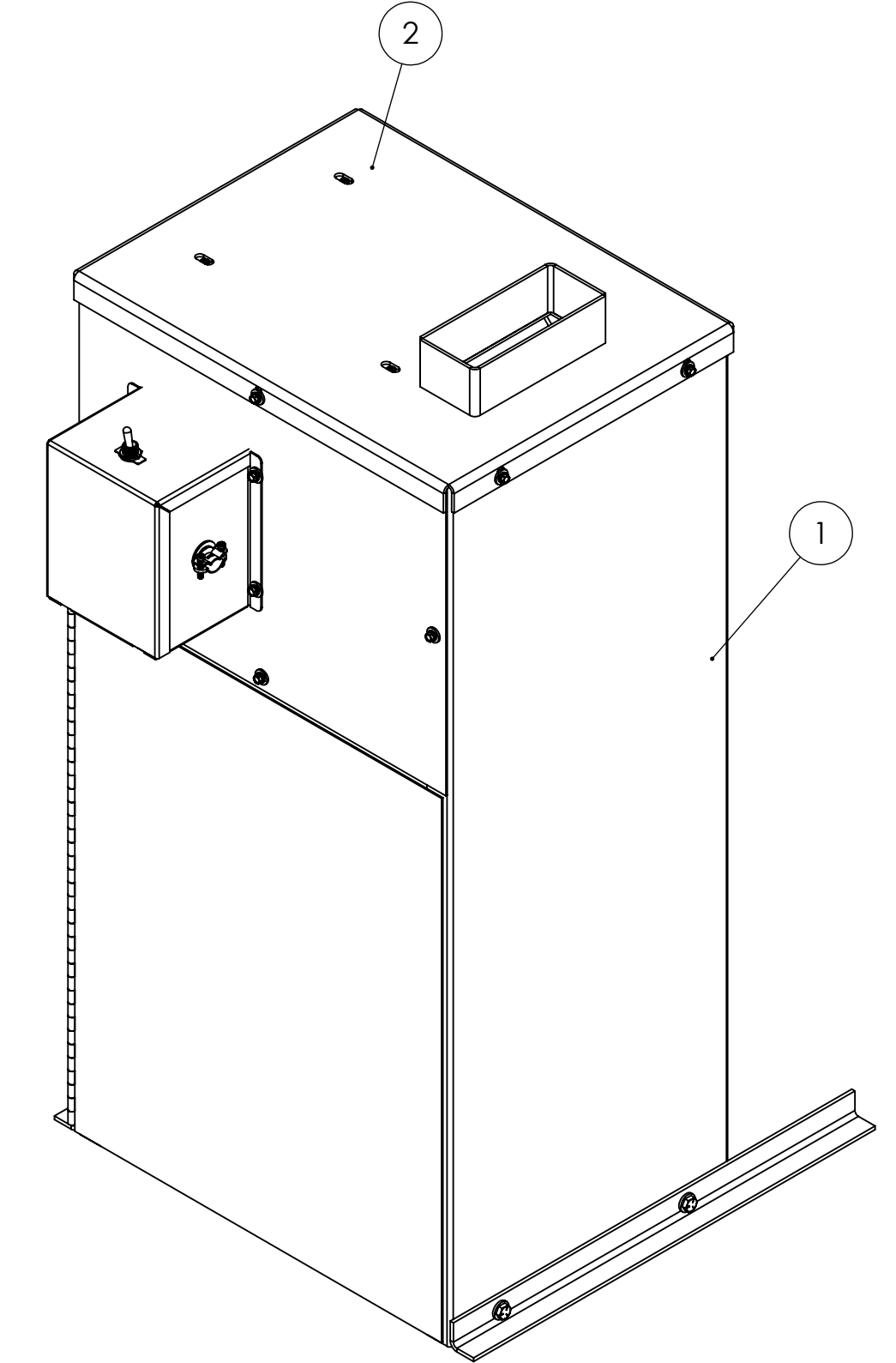
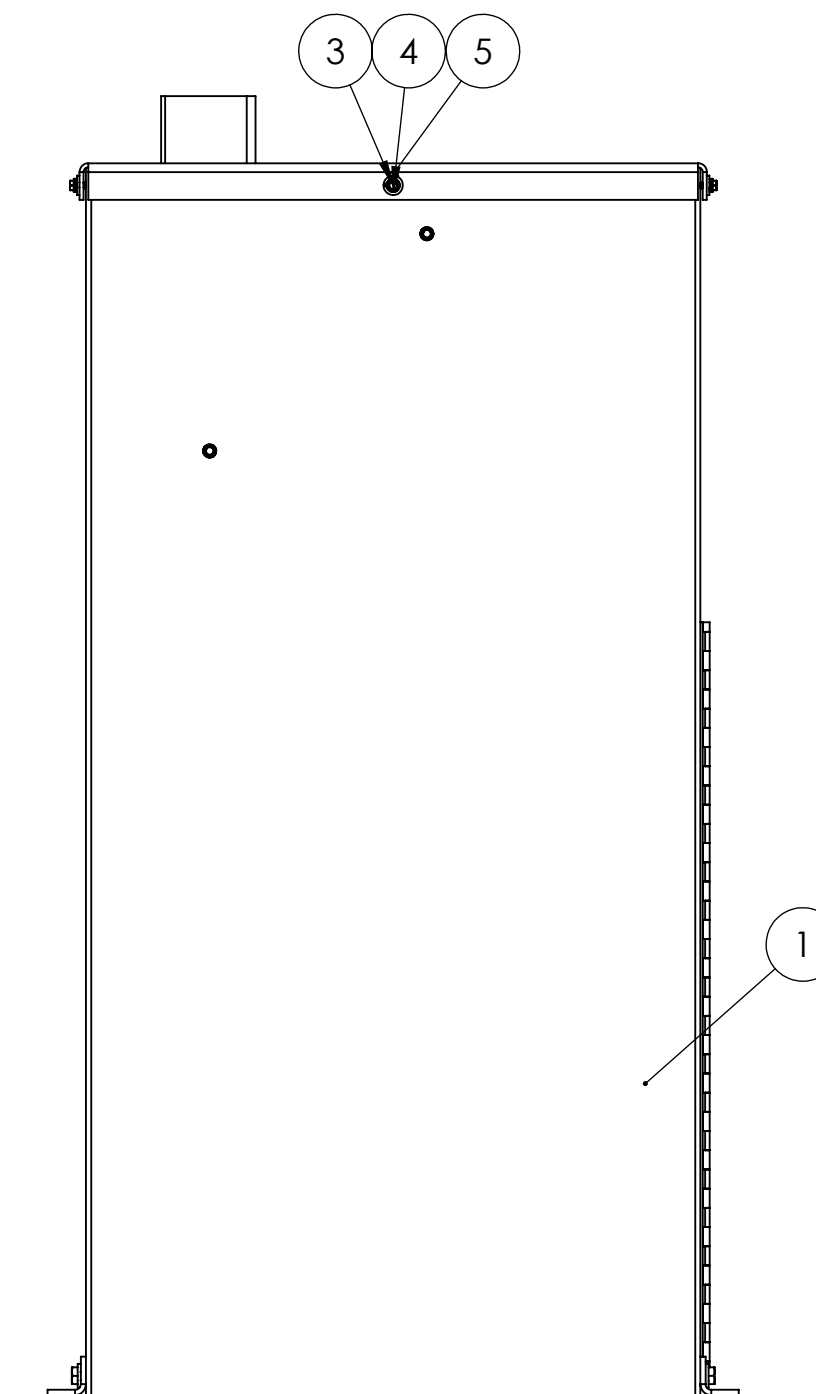
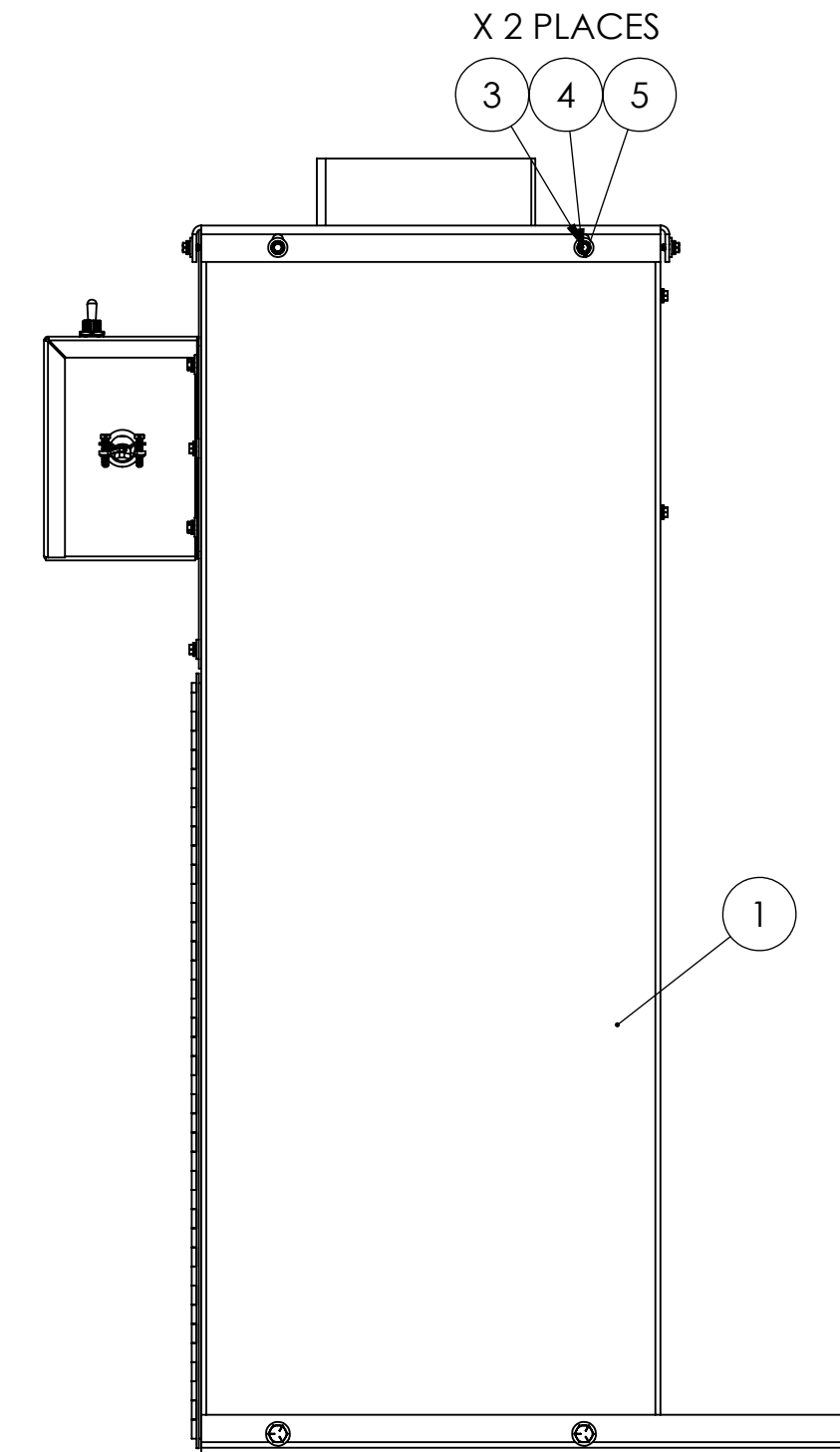
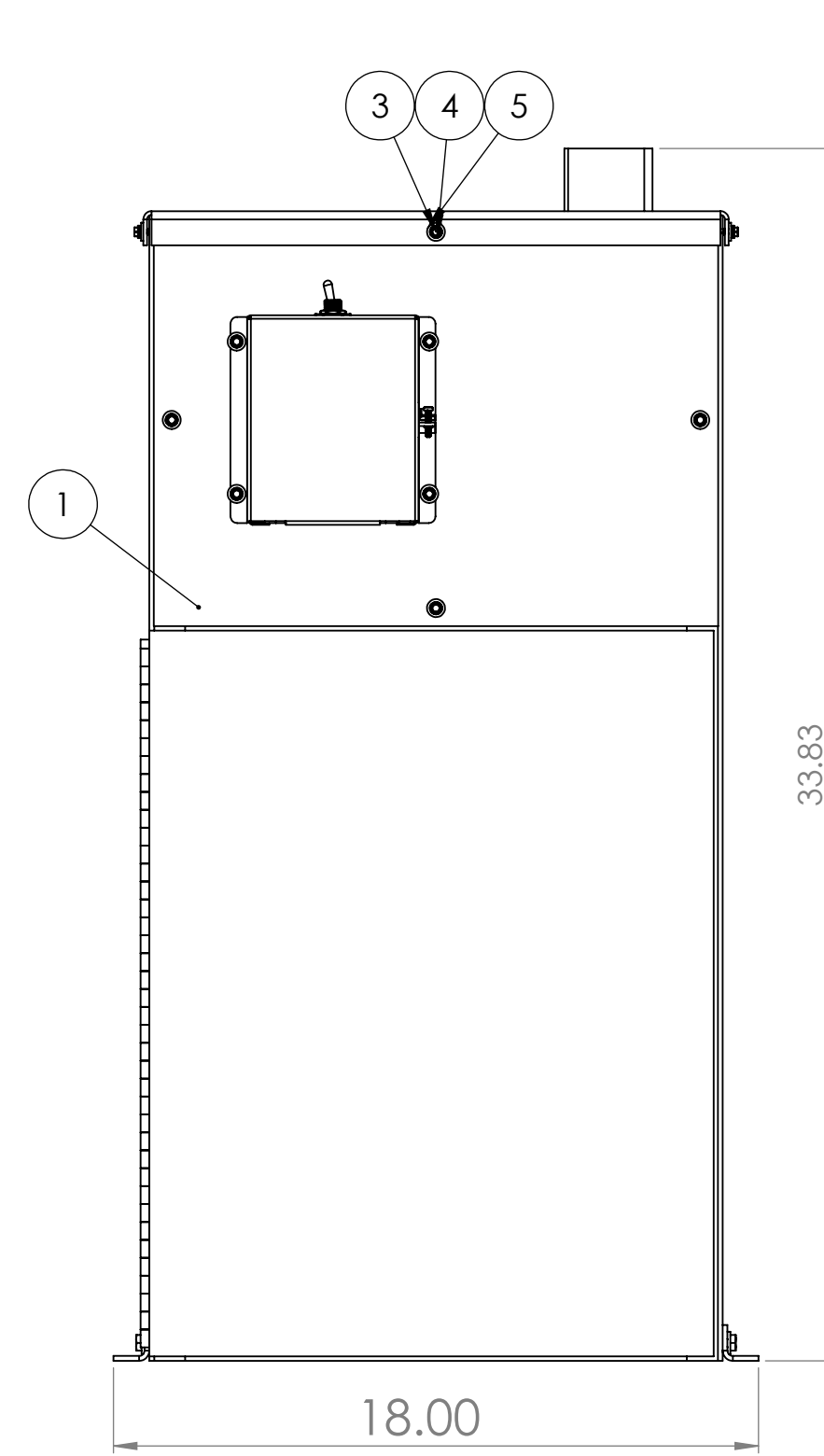
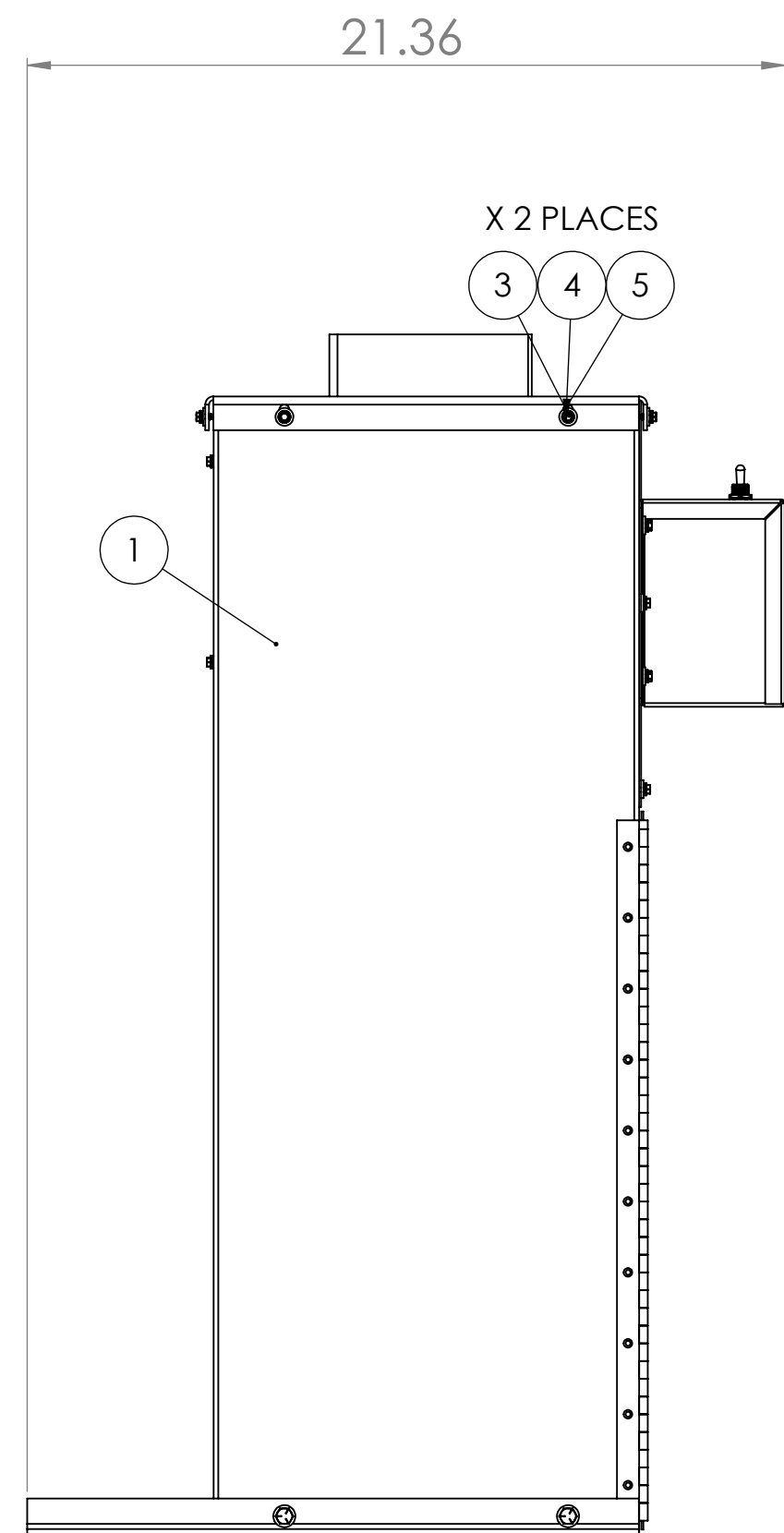
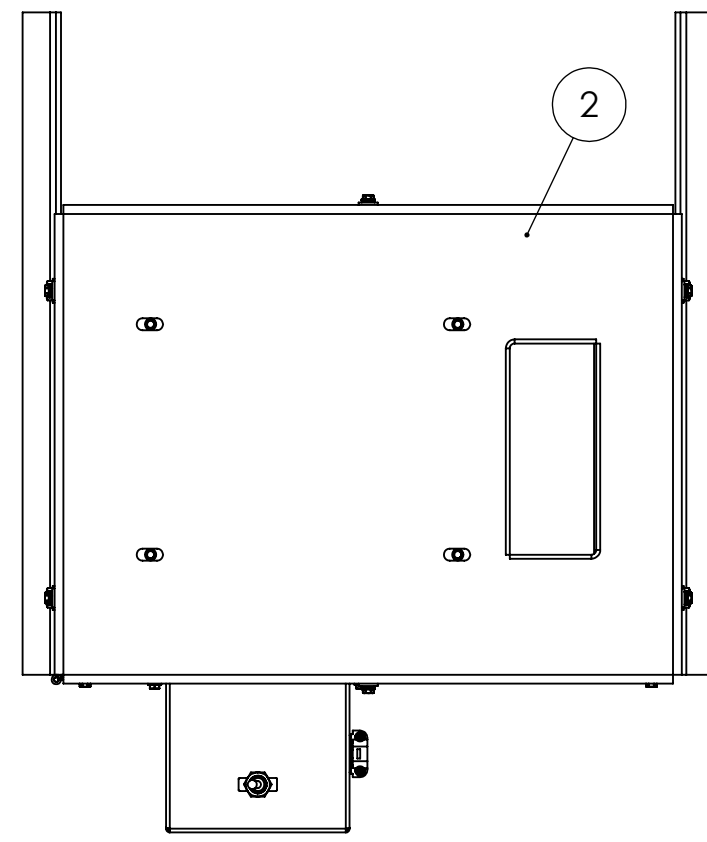
4

3

2

1

ITEM NO.	PART NUMBER	DESCRIPTION	QTY.
1	124-001	CABINET, VACUUM FOR DCV-4	1
2	833-003	TOP, CABINET FOR DCV-4 VACUUM (2FSMV SANDER MOUNT)	1
3	HWTZ008008	#8 X 1/2 HWH TEKS Z	6
4	SLWZ010	#10 SPLIT L/W Z	6
5	MSWZ010	#10 M.S. F/W Z	6



PLEASE CONSULT DRAWING 124-001 FOR CABINET DETAILS

PROPRIETARY AND CONFIDENTIAL
 THE INFORMATION CONTAINED IN THIS DRAWING IS THE SOLE PROPERTY OF KALAMAZOO INDUSTRIES, INC. ANY REPRODUCTION IN PART OR AS A WHOLE WITHOUT THE WRITTEN PERMISSION OF KALAMAZOO INDUSTRIES, INC. IS PROHIBITED.

UNLESS OTHERWISE SPECIFIED:		NAME	DATE
DIMENSIONS ARE IN INCHES			
FRACTIONAL ±			
ANGULAR ± MACH ± BEND ±			
TWO PLACE DECIMAL ±			
THREE PLACE DECIMAL ±			
INTERPRET GEOMETRIC TOLERANCING PER:			
MATERIAL			
FINISH			
APPLICATION	DO NOT SCALE DRAWING		

DRAWN	CHECKED	ENG APPR.	MFG APPR.	Q.A.	COMMENTS:

TITLE:	SIZE	DWG. NO.	REV
DCV-4 DUST COLLECTOR FOR 2FSMV APPLICATION	D	DCV-4(2FSMV)	
SCALE: 1:5	WEIGHT:	SHEET 1 OF 1	

8

7

6

5

4

3

2

1