

**KI** **KALAMAZOO**  
INDUSTRIES, INC.  
KALAMAZOO, MI



PH: (269) 382-2050

[www.kalamazooind.com](http://www.kalamazooind.com)

## 2FSMV BELT SANDER AND DUST COLLECTOR



MADE IN USA

# **KI** **KALAMAZOO** INDUSTRIES, INC. KALAMAZOO, MI

PH: (269) 382-2050

www.kalamazooind.com

## **WARNING!**

TO REDUCE THE RISK OF FIRE OR SHOCK HAZARD,  
DO NOT EXPOSE THIS EQUIPMENT TO RAIN, ANY LIQUID OR MOISTURE.

## **INSPECTION**

If these goods are damaged in transit, the **DELIVERING TRANSPORTATION COMPANY** is required by law to make notation of damages on the freight bill. If in your opinion, there may be concealed damage, they are required to make an inspection after goods are unpacked. Transportation rates are made in proportion to damage. Therefore, the carrier and **NOT** the shipper should be charged with any loss or damage. Any claim should be filled with the delivering **TRANSPORTATION COMPANY. PLEASE DO NOT RETURN GOODS TO US WITHOUT OUR RGA NUMBER AND SHIPPING INSTRUCTIONS.**

**NOTE: SEE NEXT PAGE FOR RETURN POLICY AND WARRANTY.**

## **IMPORTANT**

Read Operating Instructions before using equipment.

## **OPERATING INSTRUCTION**

1. **Disconnect power** before making any adjustments.
2. Abrasive belt rotation is counter-clockwise. If the abrasive belt is lap spliced be sure of the correct belt rotation. Butt spliced belts bi-directional.
3. Belt tension is pre-set with internal spring **(7)**. No belt tension adjustment is required.
4. To change belt **disconnect power**, loose tracking knob **(13)**, open belt guard **(20)**, compress spring belt tension by pushing down on tension shaft **(10)**, remove belt and replace with new belt of your choice.
5. Belt tracking- with power disconnected rotate belt by hand to center or "track" sanding belt. Rotate tracking knob **(13)** and tracking collar **(14)**, left and or right turns the tension shaft **(10)** to "track" the belt. Re-lock the tracking knob **(13)** to lock in belt tracking. Close belt guard **(20)** and reconnect connect power.

# **KI** **KALAMAZOO** INDUSTRIES, INC. KALAMAZOO, MI



PH: (269) 382-2050

[www.kalamazooind.com](http://www.kalamazooind.com)

## **WARRANTY**

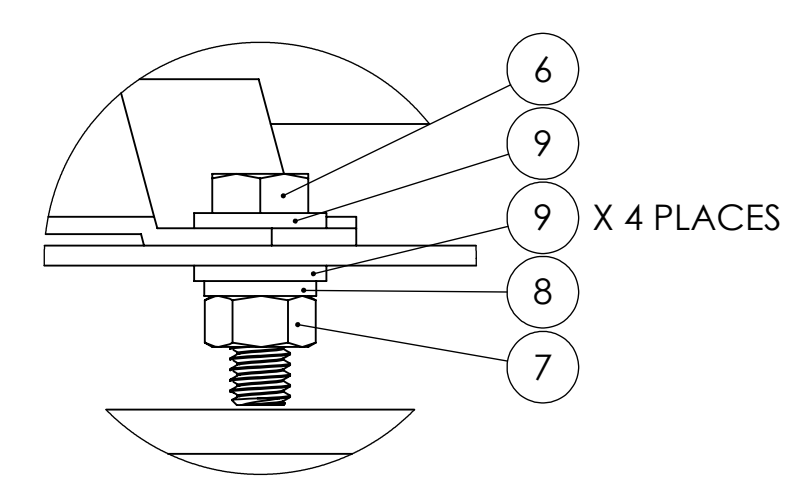
All products are guaranteed for a period of one year from receipt of order to the original purchaser, against defects in material workmanship under normal use. Electric motors are warranted by the motor manufacturer for a period of one year and will be repaired by the nearest motor repair station. If non-repairable, they will be replaced by Kalamazoo Industries. Please call for instructions (269) 382-2050.

## **RETURN POLICY**

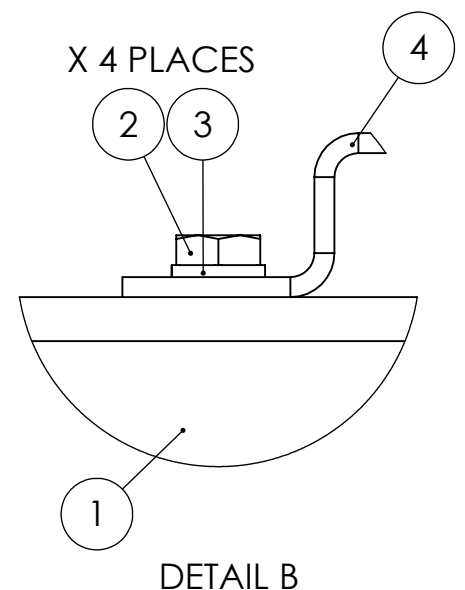
Authorization must be obtained before returning merchandise. Please call our customer service department for a return authorization number (269) 382-2050. Please include with your return a copy of your invoice of packing slip. All material must be new and unused in the original packaging. Material must be sent back prepaid (unless otherwise indicated) by Kalamazoo Industries. Credit upon inspection at Kalamazoo Industries. All returns will be subject to a 10% restock charge. Used merchandise is non-returnable. No returns will be accepted after one year of invoice date.

## **BELT SANDER SAFETY**

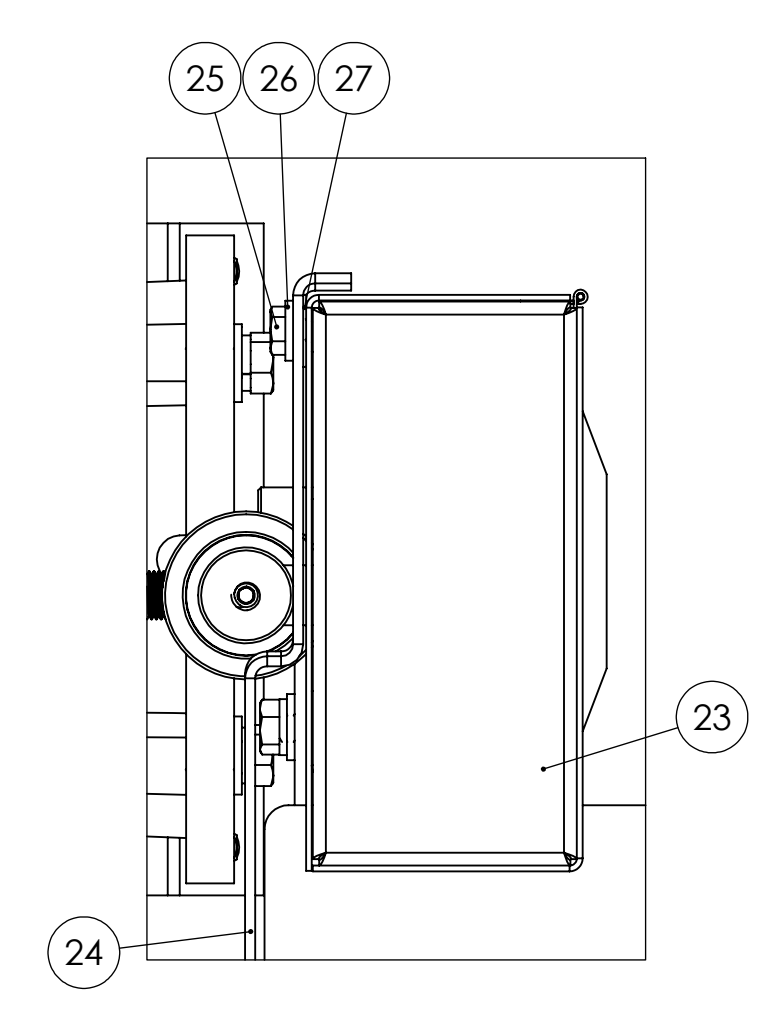
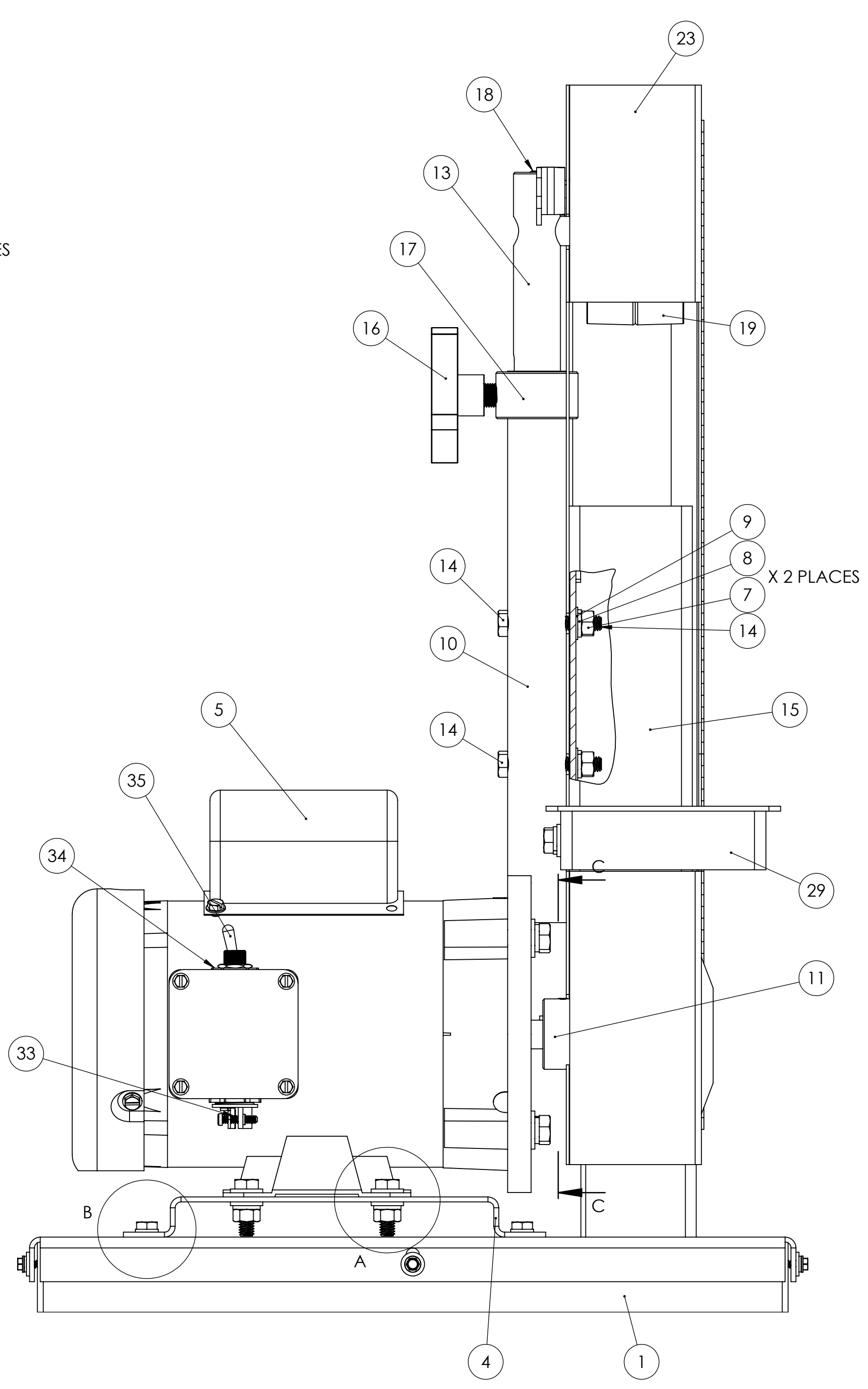
- READ THE OPERATING INSTRUCTIONS BEFORE RUNNING MACHINE.
- ALWAYS WEAR SAFETY GLASSES OR A FULL FACE SHIELD FOR PROTECTION.
- KEEP HANDS CLEAR OF THE SANDING AREA.
- NEAR WEAR GLOVES OR LOOSE FITTING CLOTHES WHEN OPERATING THIS MACHINE.
- ALWAYS KEEP HAIR TIED BACK OR COVERED.
- LET MACHINE ROTATION COME TO A FULL STOP BEFORE CHANGING BELT.
- KEEP SAFETY GUARDS IN PLACE. DO NOT ALTER GUARD OR MACHINE IN ANYWAY. ANY ALTERATIONS TO GUARDS OR MACHINE COULD CAUSE SERIOUS INJURY.
- ALL BELT SANDERS SHOULD BE OPERATED IN A WELL-VENTILATED AREA. THE DUST CREATED WHEN SOME MATERIALS ARE SANDED CAN BE HARMFUL. DUST MASKS ARE RECOMMEND AS A PRACTICAL MEAN OF MINIMIZING DUST INHALATION. FUMES FROM OTHER OTHER SOURCES CAN ALSO CAUSES FIRES WHEN INTACT WITH SANDING SPARK.
- SPARKS CREATED BY SANDING SHOULD BE DIRECTED DOWNWARD AND AWAY FROM THE FACE AND BODY. DON NOT GRIND NEAR FLAMMABLE MATERIAL.
- ELECTRIC SANDING MACHINES ARE NOT INTENDED FOR USE IN OR NEAR WATER. THIS INCLUDES AN OPERATOR STANDING ON A WET FLOOR OR WORKING AROUND CONTAINERS OF WATER OR OTHER CONDUCTIVE LIQUIDS.
- CLEAN DUST COLLECTOR OUT AND DON'T MIX MATERIALS.



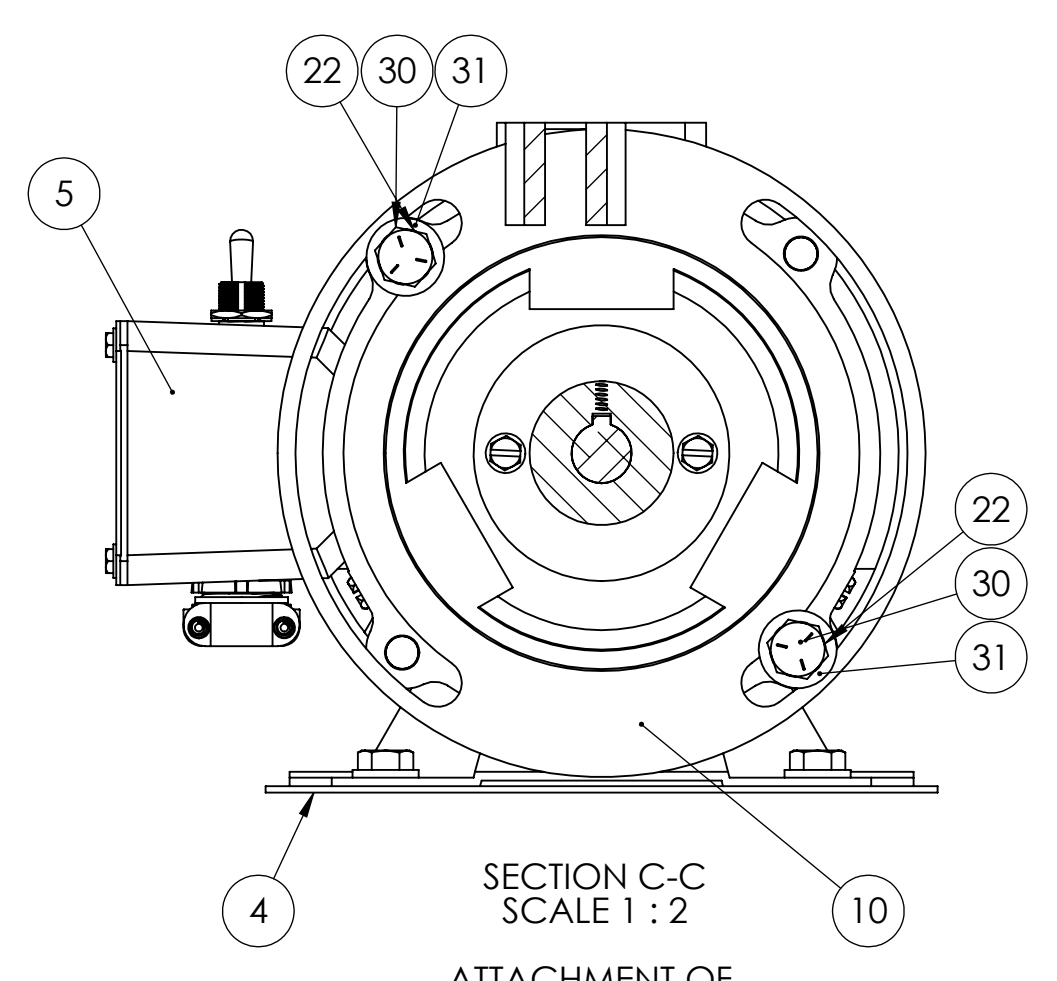
DETAIL A  
SCALE 1 : 1  
MOTOR MOUNT DETAILS



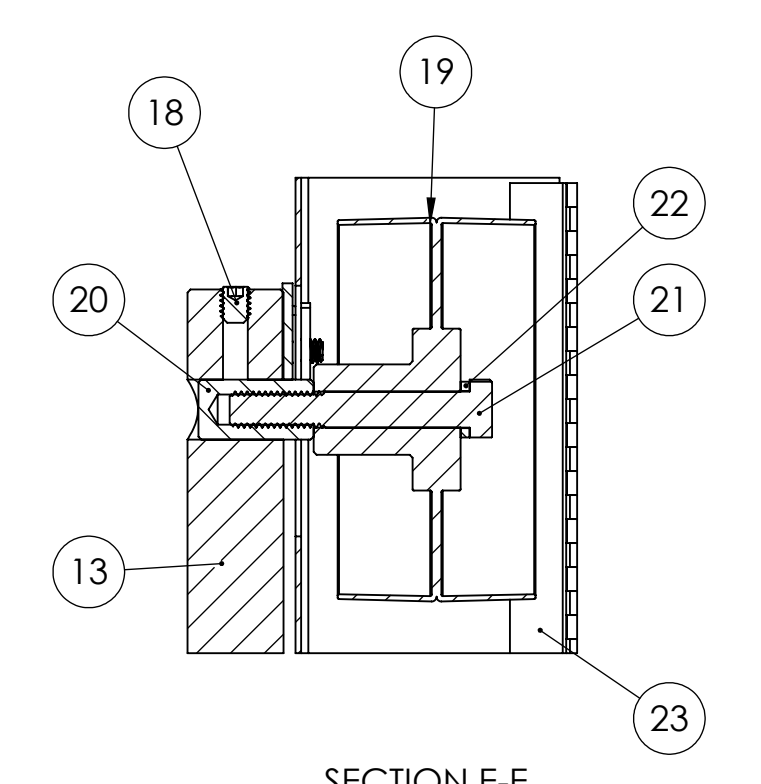
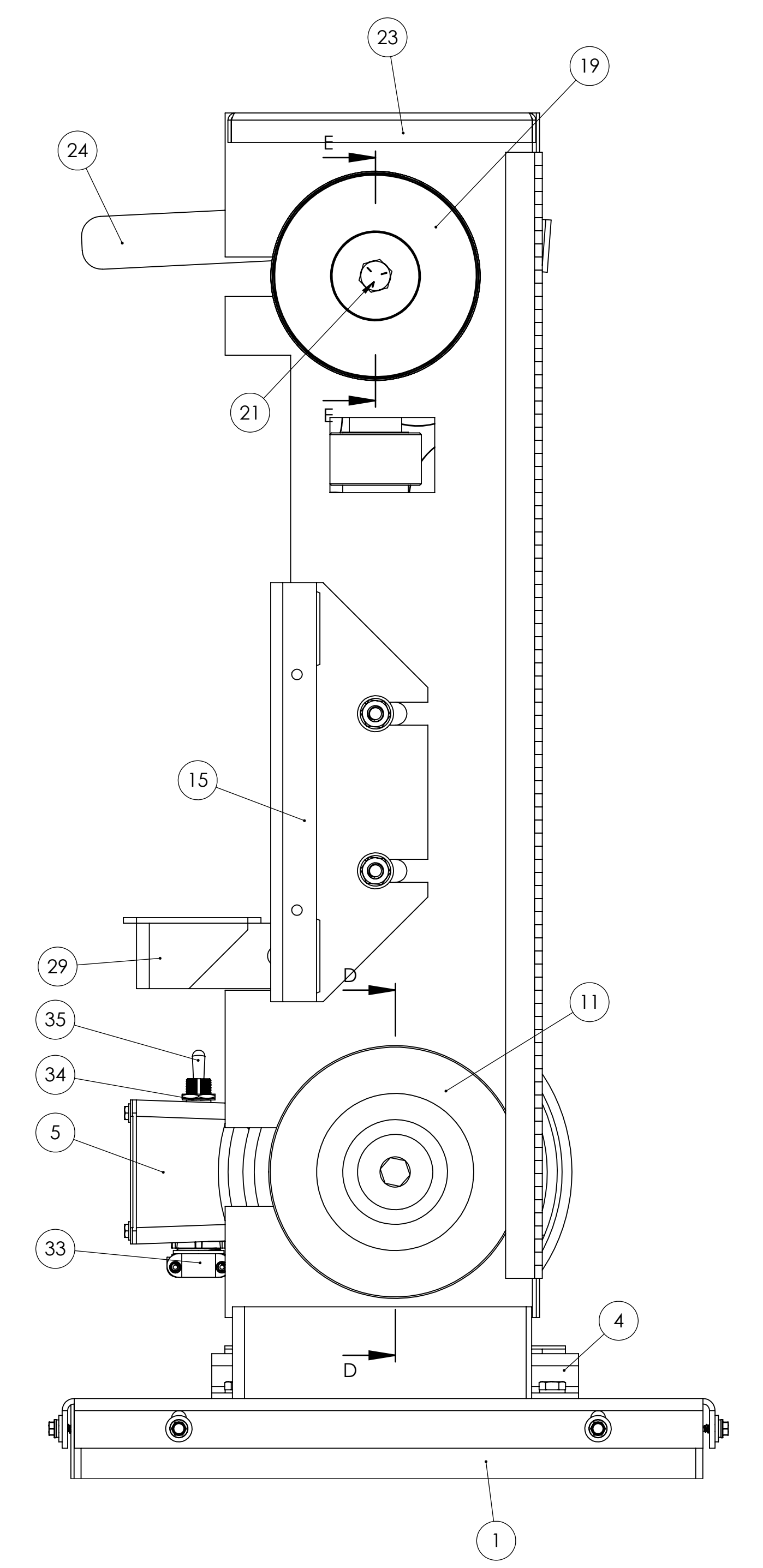
DETAIL B  
SCALE 1 : 1  
BASE ATTACHMENT TO  
DUST COLLECTOR TOP  
DETAILS



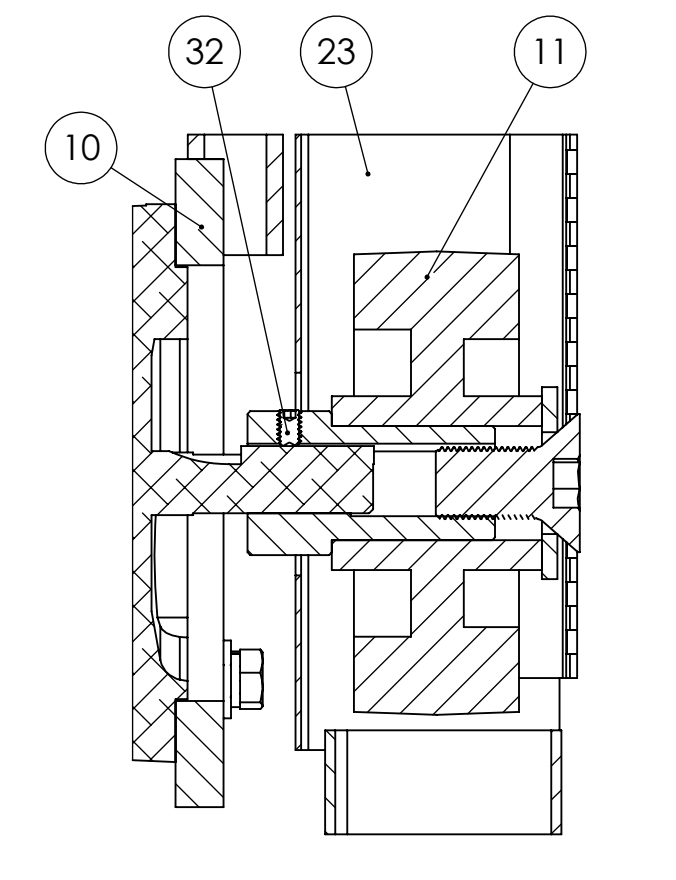
TOP VIEW OF OSHA BOX GUARD  
TENSION LEVER DETAILS



SECTION C-C  
SCALE 1 : 2  
ATTACHMENT OF  
TUBE AND RING ASSEMBLY  
TO MOTOR

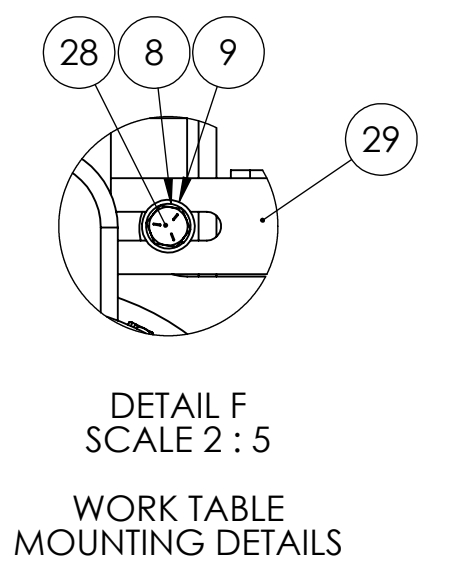
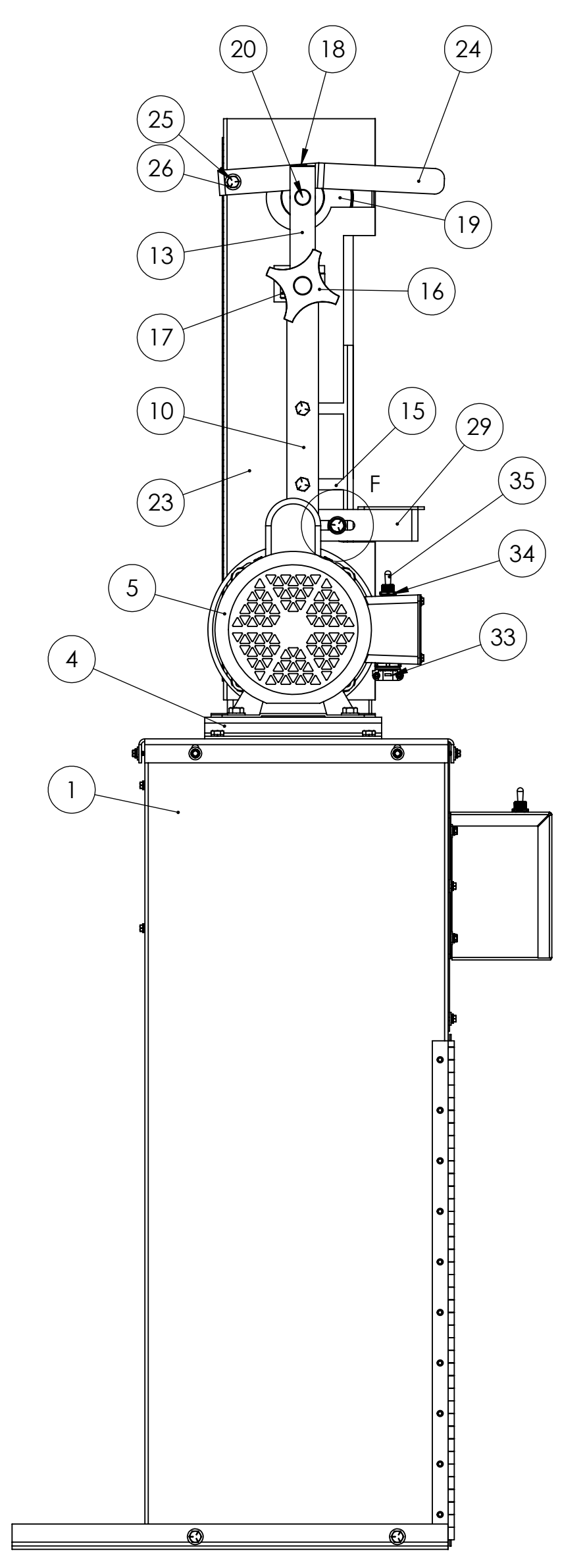


SECTION E-E  
SCALE 1 : 2  
IDLER PULLEY DETAILS

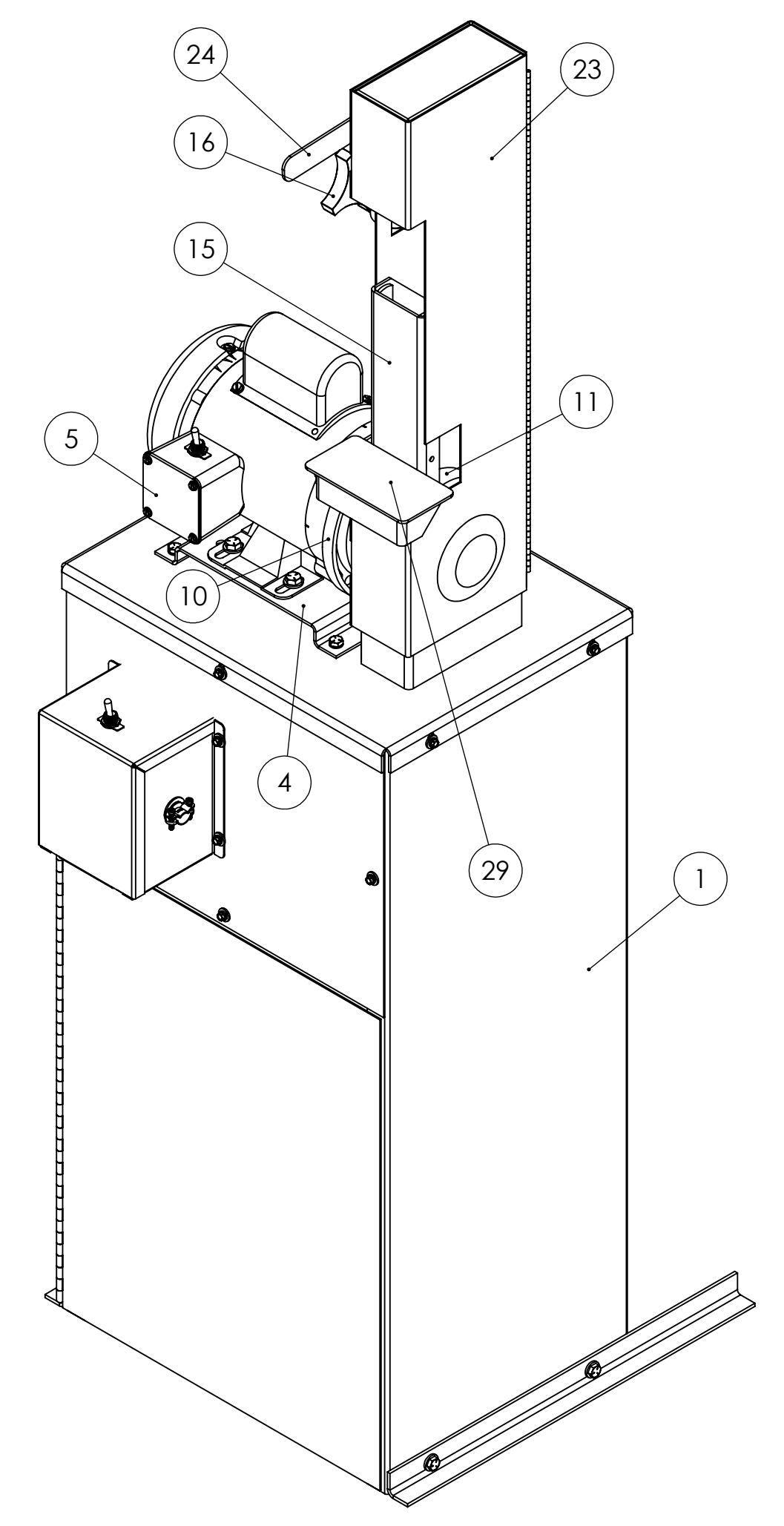
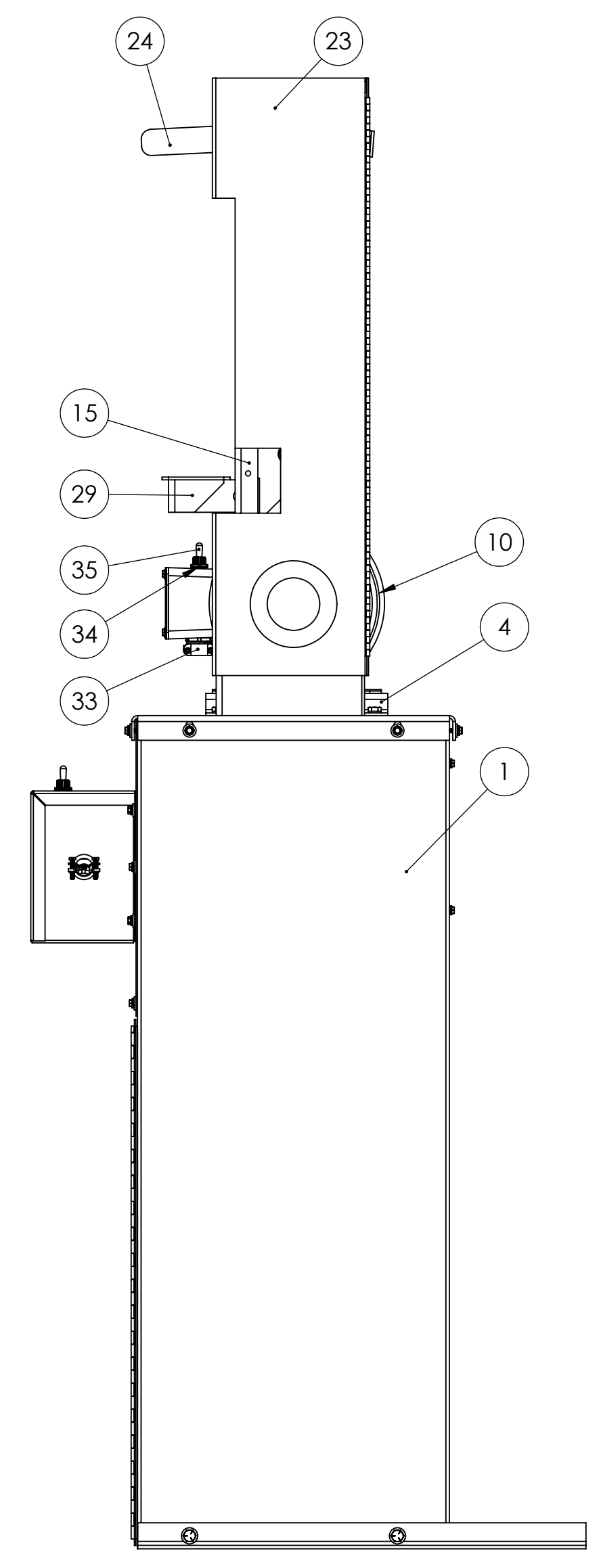
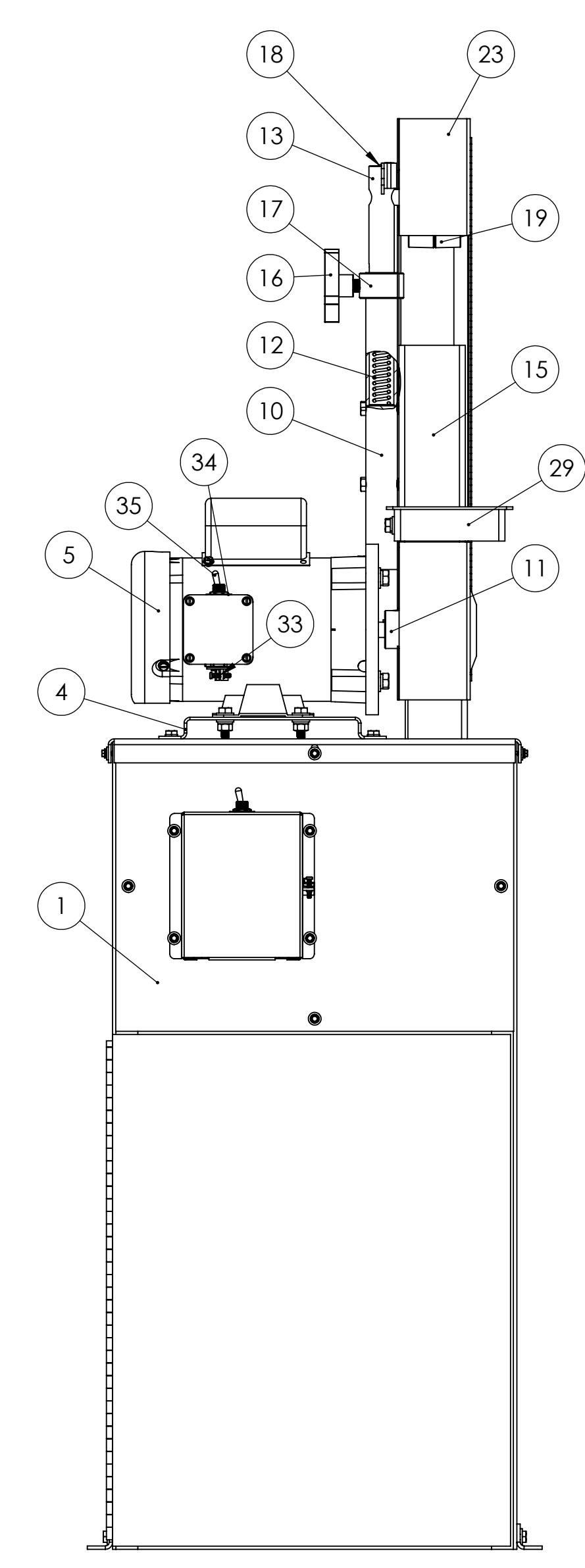


SECTION D-D  
SCALE 1 : 2  
DRIVE PULLEY DETAILS

ITEM NO.	PART NUMBER	DESCRIPTION	QTY.
1	DCV-4(2FSMV)	DCV-4 DUST COLLECTOR FOR 2FSMV APPLICATION	1
2	HHC5025012	1/4-20 X 3/4 HHCS GR5 Z	4
3	SLW2025	1/4 SPLIT L/W Z	4
4	829-053A	TOP BASE FOR 2FSM (NEW STYLE)	1
5	486-022	1/2HP MOTOR FOR 2FSM, S4S AND S612V VAC MOTOR	1
6	HHC5031016	5/16-18 X 1 HHCS GR5 Z	4
7	FHN5031	5/16-18 FHN GR5 ZINC	6
8	SLW2031	5/16 SPLIT L/W Z	7
9	UFW2031	5/16 USS F/W Z	11
10	832-023	TUBE AND RING ASSEMBLY FOR 2FSM AND DS10-2M	1
11	936-007	DRIVE PULLEY WITH HUB FOR 2FSM AND DS10-2M NEW STYLE	1
12	697-013	TENSION SPRING FOR 2FS, 2FS72, 2FSM, BG142, 2FS72M, K12-148	1
13	645-008	TENSION ROD FOR 2FS, 2FSM, 2FS72, 2SK7 SANDERS	1
14	HHC5031032	5/16-18 X 2 HHCS GR5 Z	2
15	550-007	STANDARD PLATEN FOR 2 X 48 SANDERS	1
16	441-011	TRACKING KNOB FOR 2FS, 2FS72, 2FSM, 2SK7 SANDERS	1
17	123-004	TRACKING COLLAR FOR 2FS, 2FS72, 2FSM, 2SK7, BG142	1
18	SSKA031006	5/16-18 X 3/8 SOC SET KNURL PT.	1
19	936-030	STEEL IDLER PULLEY, NEW STYLE FOR 2FS, 2FSM, 2SK7	1
20	004-006	ADAPTOR FOR 936-003 IDLER PULLEY	1
21	HHC5037040	3/8-16 X 2-1/2 HHCS GR5 Z	1
22	SLW2037	3/8 SPLIT L/W Z	3
23	342-084V	FULL BOXED OSHA GUARD FOR 2FSMV W OPEN BOTTOM FOR VACUUM	1
24	342-084A	LEVER FOR 2FSM FULL BOXED OSHA GUARD	1
25	HHC5025008	1/4-20 X 1/2 HHCS GR5 Z	1
26	UFW2025	1/4 USS F/W Z	1
27	BWWA031	5/16 BOWED SPRING WASHER 21/64	1
28	HHC5031012	5/16-18 X 3/4 HHCS GR5 Z	1
29	829-004	WORK TABLE FOR 2', 4', DS10-4 SANDERS	1
30	HHC5037020	3/8-16 X 1-1/4 HHCS GR5 Z	2
31	UFW2037	3/8 USS F/W Z	2
32	SSKA025006	1/4-20 X 3/8 SOC SET KNURL PT.	1
33	EGSC500	EGSC500 1/2 D/C ESCR NMCC CONN	1
34	710-008	ON/OFF SWITCH PLATE	1
35	710-007	ON/OFF TOGGLE SWITCH 1185-G/20B	1



DETAIL F  
SCALE 2 : 5  
WORK TABLE  
MOUNTING DETAILS

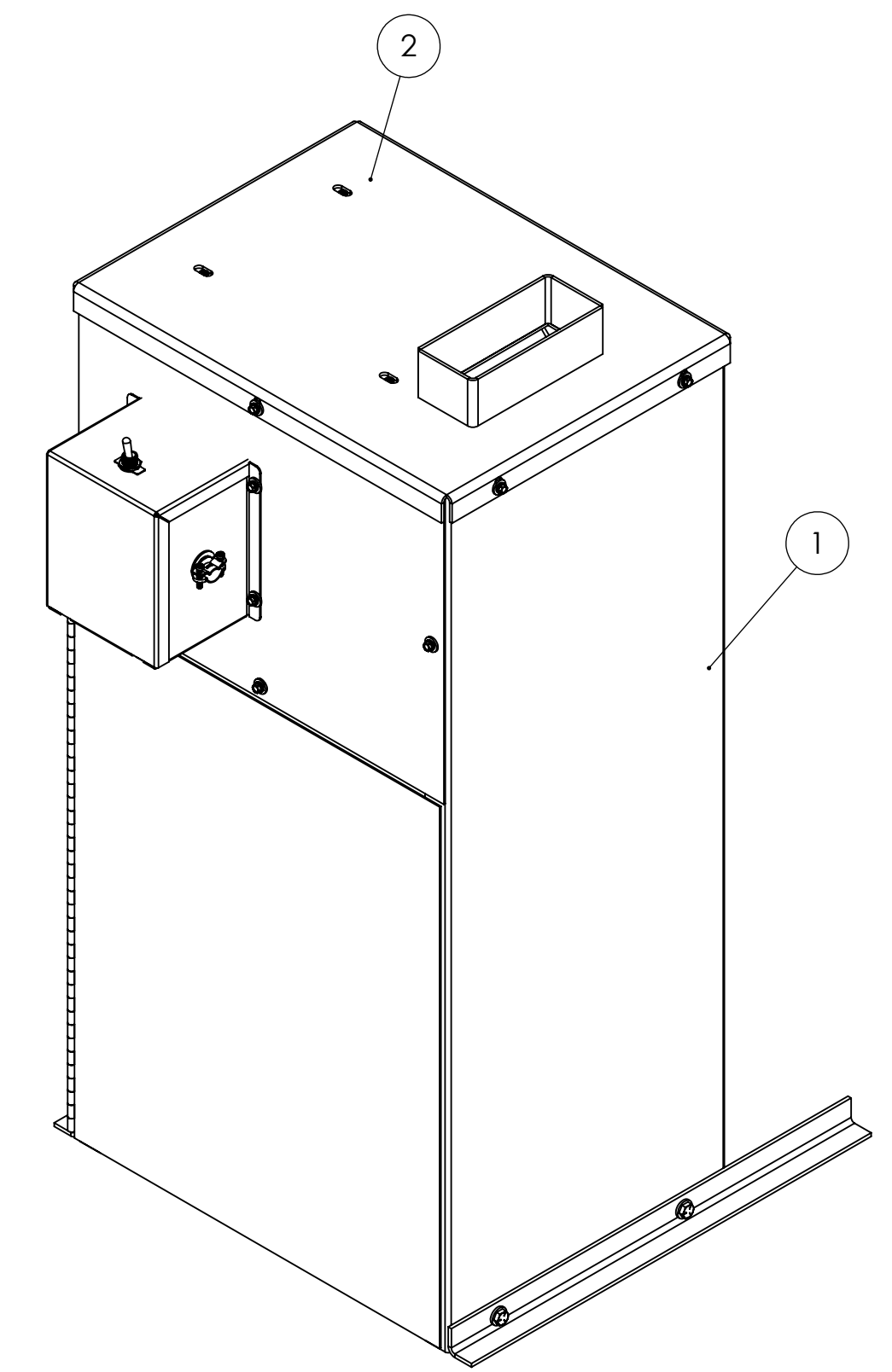
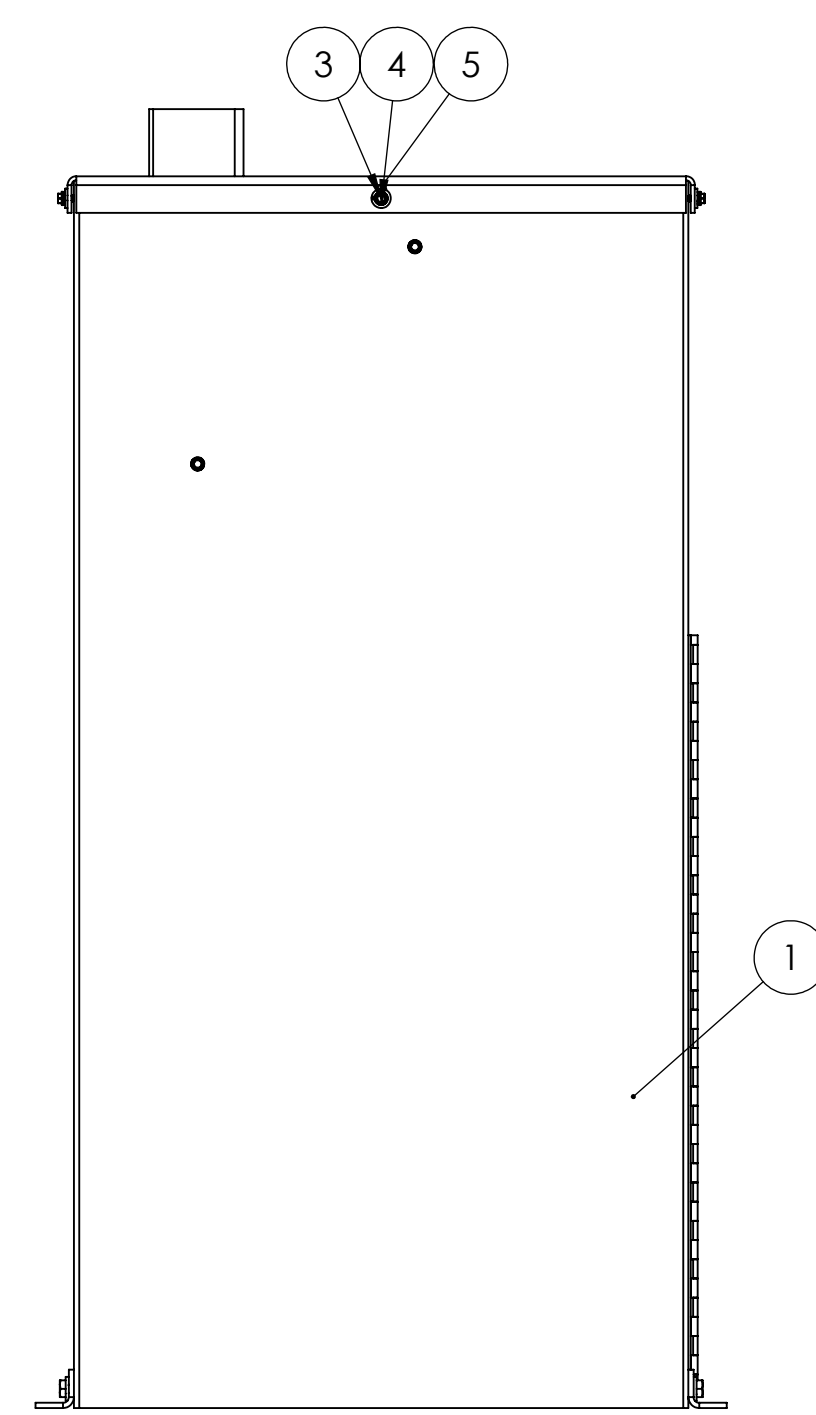
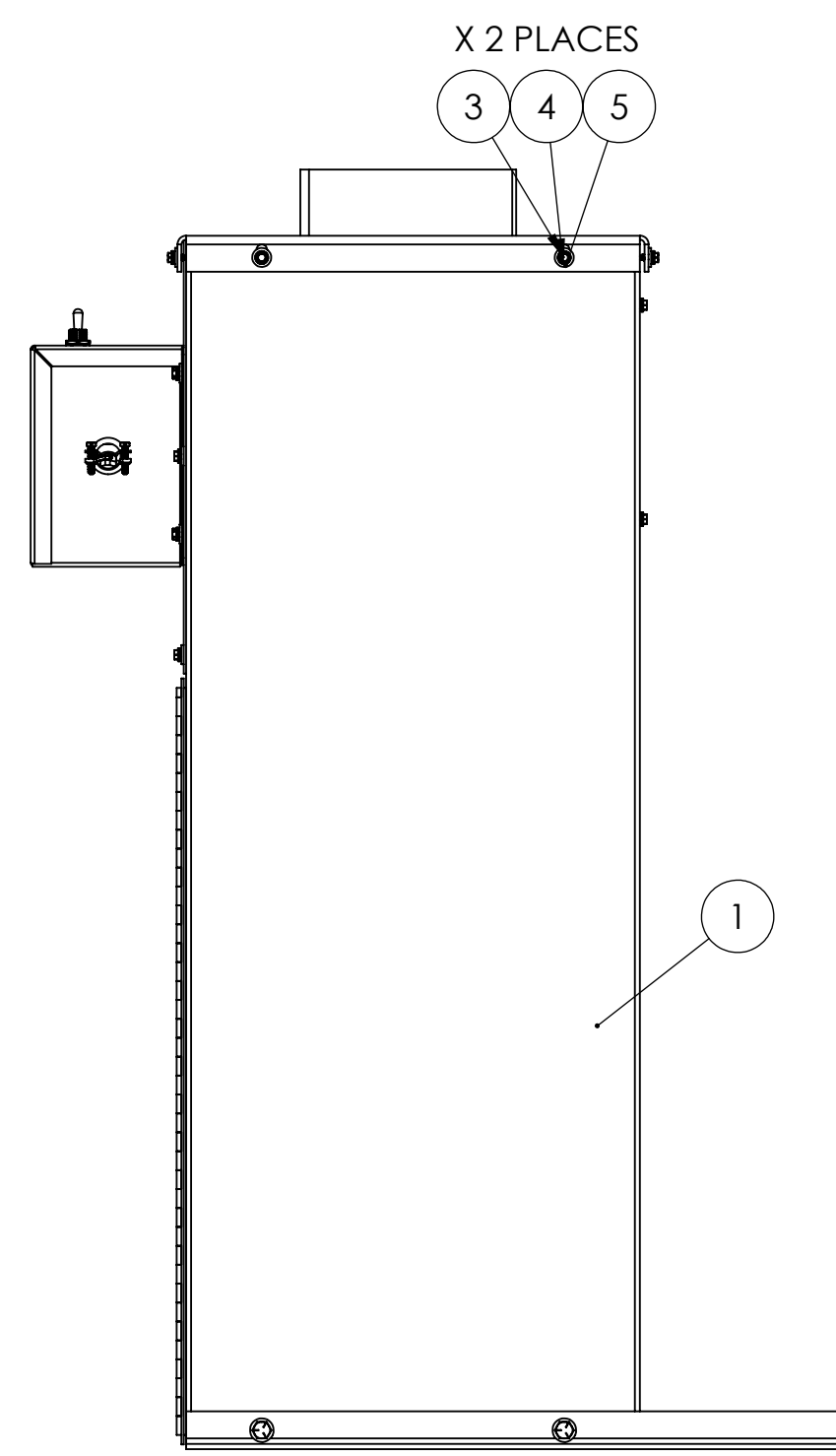
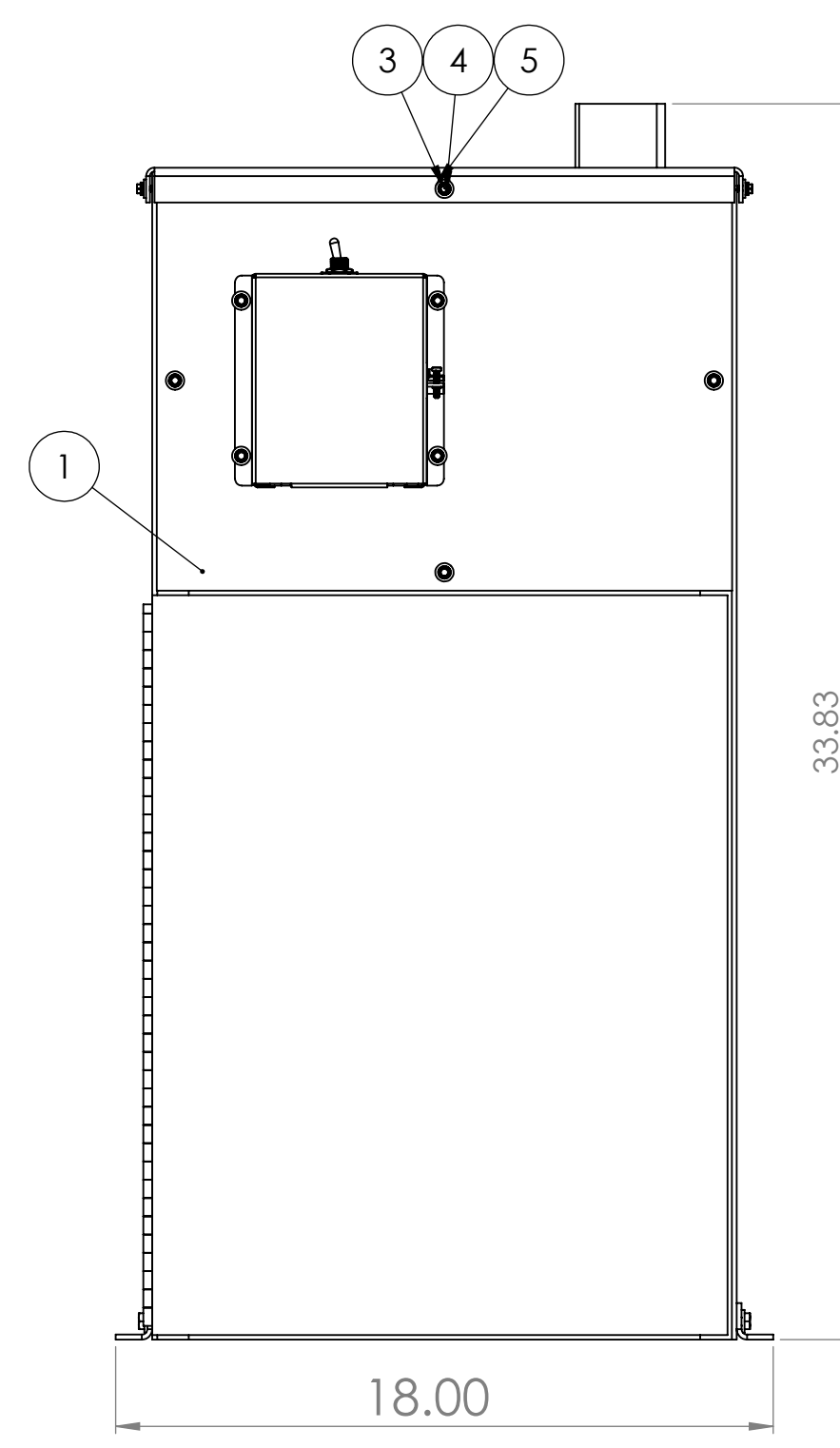
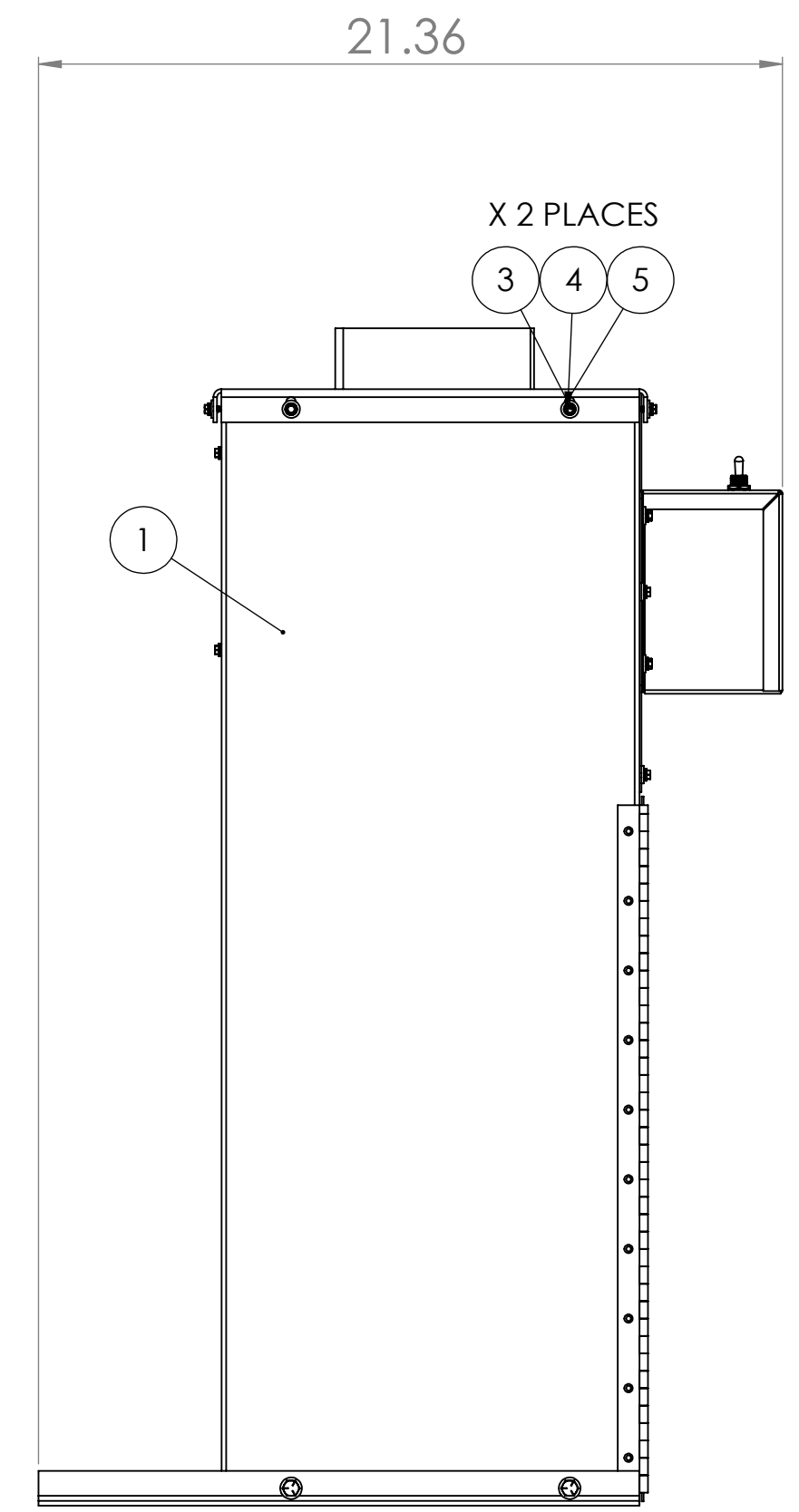
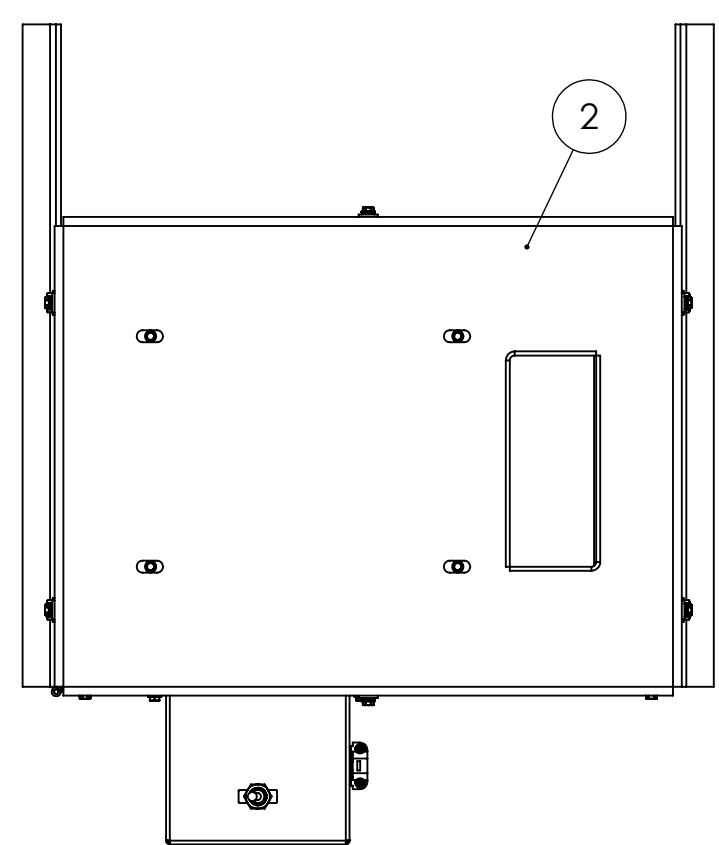


PROPRIETARY/CONFIDENTIAL  
THE INFORMATION CONTAINED IN THIS DRAWING IS THE SOLE PROPERTY OF KALAMAZOO. IT IS TO BE KEPT IN STRICTLY CONFIDENTIAL AND NOT REPRODUCED IN ANY MANNER WITHOUT THE WRITTEN PERMISSION OF KALAMAZOO.

UNLESS OTHERWISE SPECIFIED:	NAME	DATE
DIMENSIONS ARE IN INCHES	DESIGNER	
TOLERANCES:	CHECKED	
FRACTIONS: 1/16	ENG APPR	
ANGULAR: MACH 1	MFG APPR	
PREFERENCE: DECIMAL 2		
THREE PLACE DECIMAL 2		
INTERFERENCE GEOMETRIC TOLERANCES PER:	D.A.	
MATERIAL:	COMMENTS:	
NEED ASSIST	USED ON	FINISH
APPLICATION	DO NOT SCALE DRAWING	

TITLE: 2FSM SANDER MOUNTED ON DCV-4 DUST COLLECTOR  
 SIZE: DWG. NO. E 2FSMV  
 SCALE: 1:1.5 WEIGHT: SHEET 1 OF 1

ITEM NO.	PART NUMBER	DESCRIPTION	QTY.
1	124-001	CABINET, VACUUM FOR DCV-4	1
2	833-003	TOP, CABINET FOR DCV-4 VACUUM (2FSMV SANDER MOUNT)	1
3	HWTZ008008	#8 X 1/2 HWH TEKS Z	6
4	SLWZ010	#10 SPLIT L/W Z	6
5	MSWZ010	#10 M.S. F/W Z	6



PLEASE CONSULT DRAWING 124-001 FOR CABINET DETAILS

PROPRIETARY AND CONFIDENTIAL  
 THE INFORMATION CONTAINED IN THIS DRAWING IS THE SOLE PROPERTY OF KALAMAZOO INDUSTRIES, INC. ANY REPRODUCTION IN PART OR AS A WHOLE WITHOUT THE WRITTEN PERMISSION OF KALAMAZOO INDUSTRIES, INC. IS PROHIBITED.

UNLESS OTHERWISE SPECIFIED:		NAME	DATE
DRAWN			
CHECKED			
ENG APPR.			
MFG APPR.			
INTERPRET GEOMETRIC TOLERANCING PER:		Q.A. COMMENTS:	
MATERIAL:			
FINISH:			
NEXT ASSY	USED ON		
APPLICATION	DO NOT SCALE DRAWING		

**KALAMAZOO**  
INDUSTRIES, INC.

TITLE:  
**DCV-4 DUST COLLECTOR FOR 2FSMV APPLICATION**

SIZE DWG. NO. REV  
**D0CV-4(2FSMV)**

SCALE: 1:5 WEIGHT: SHEET 1 OF 1