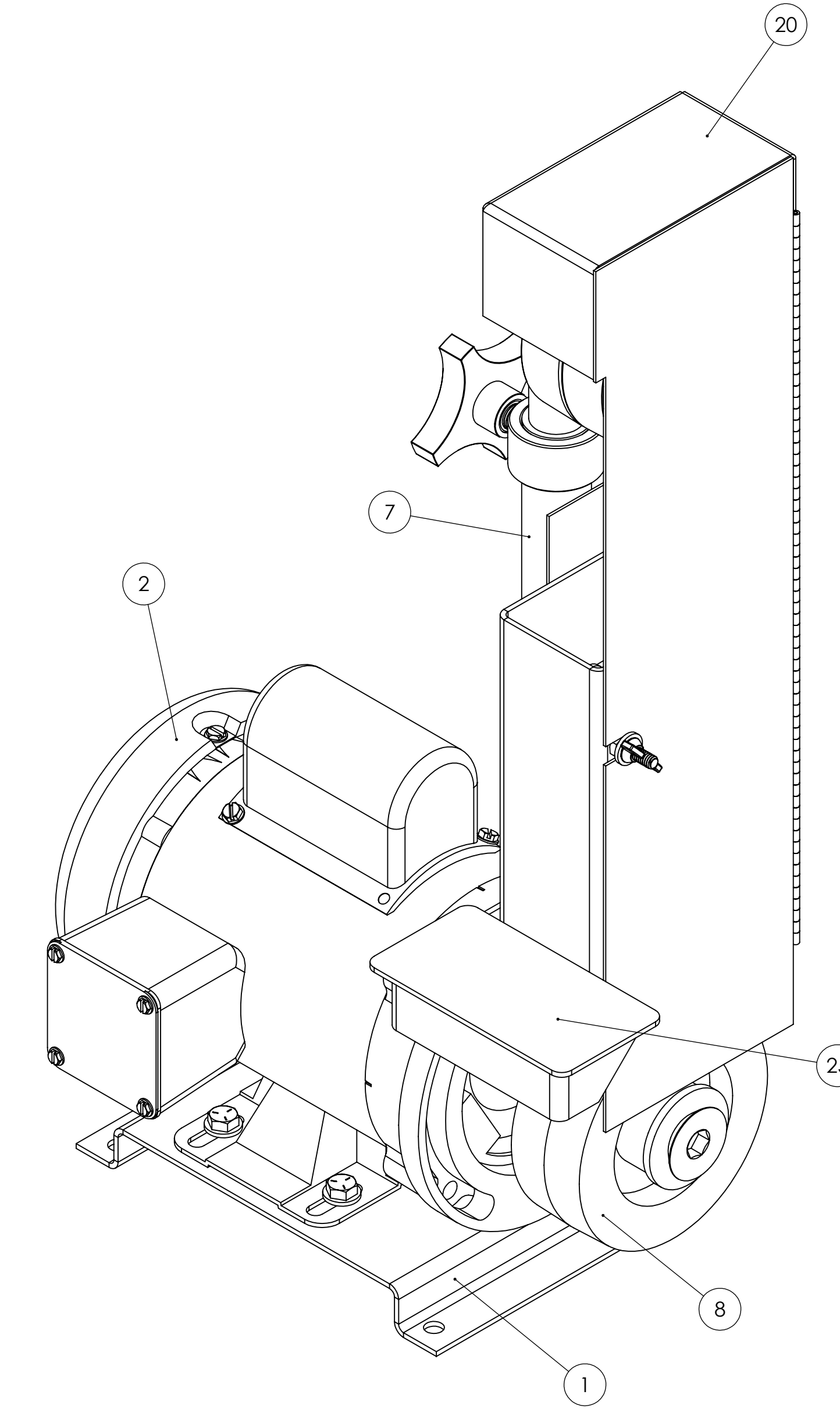
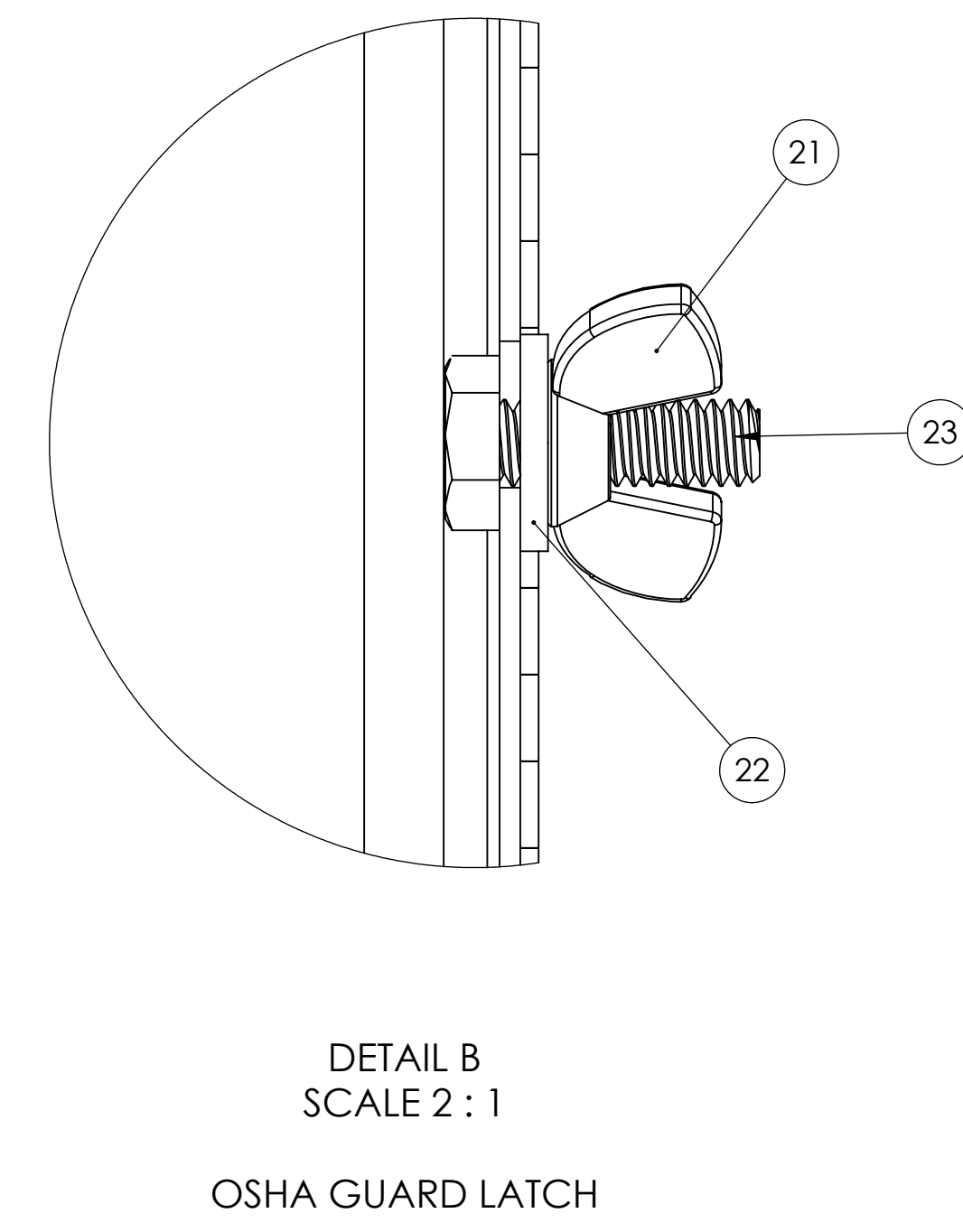
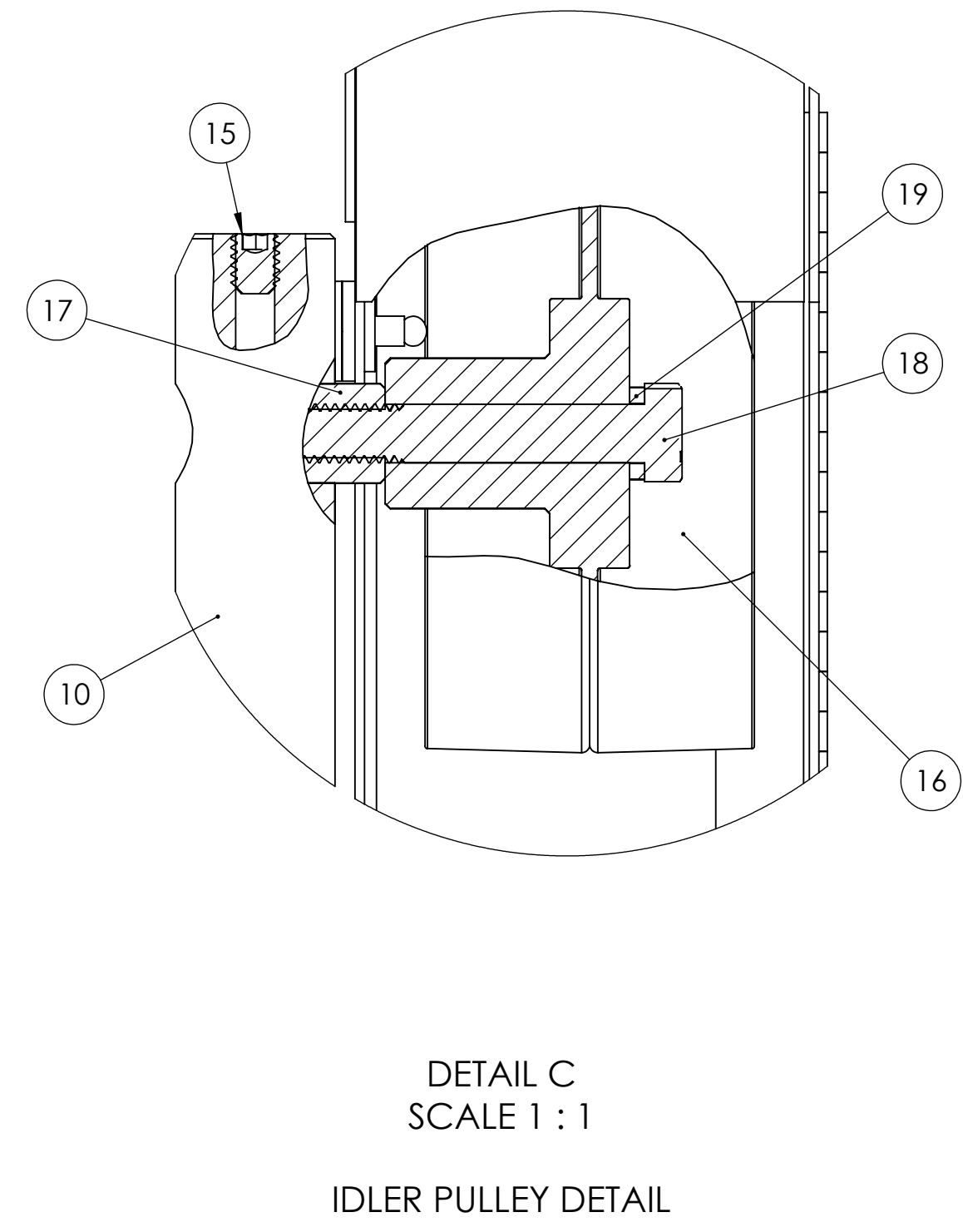
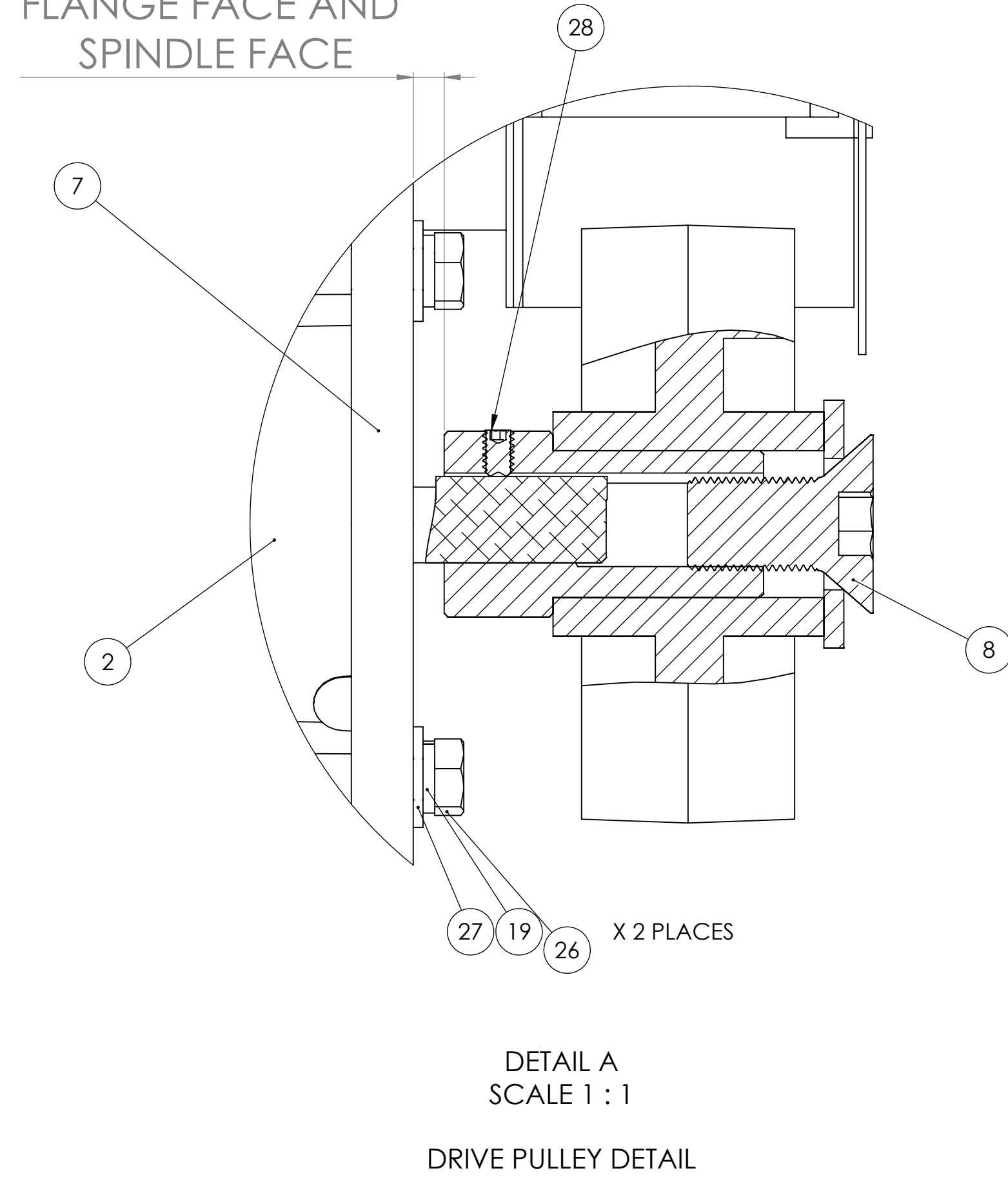
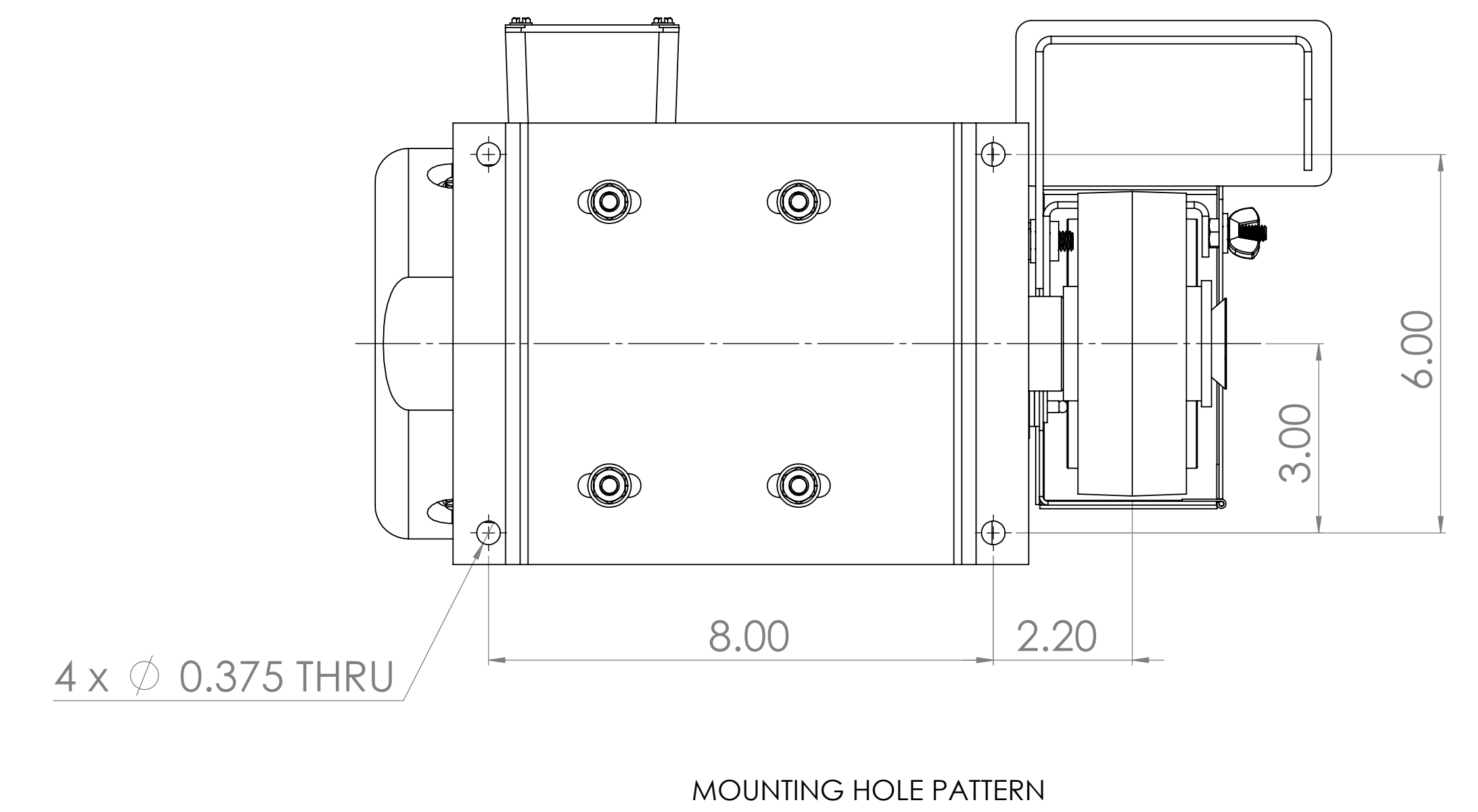
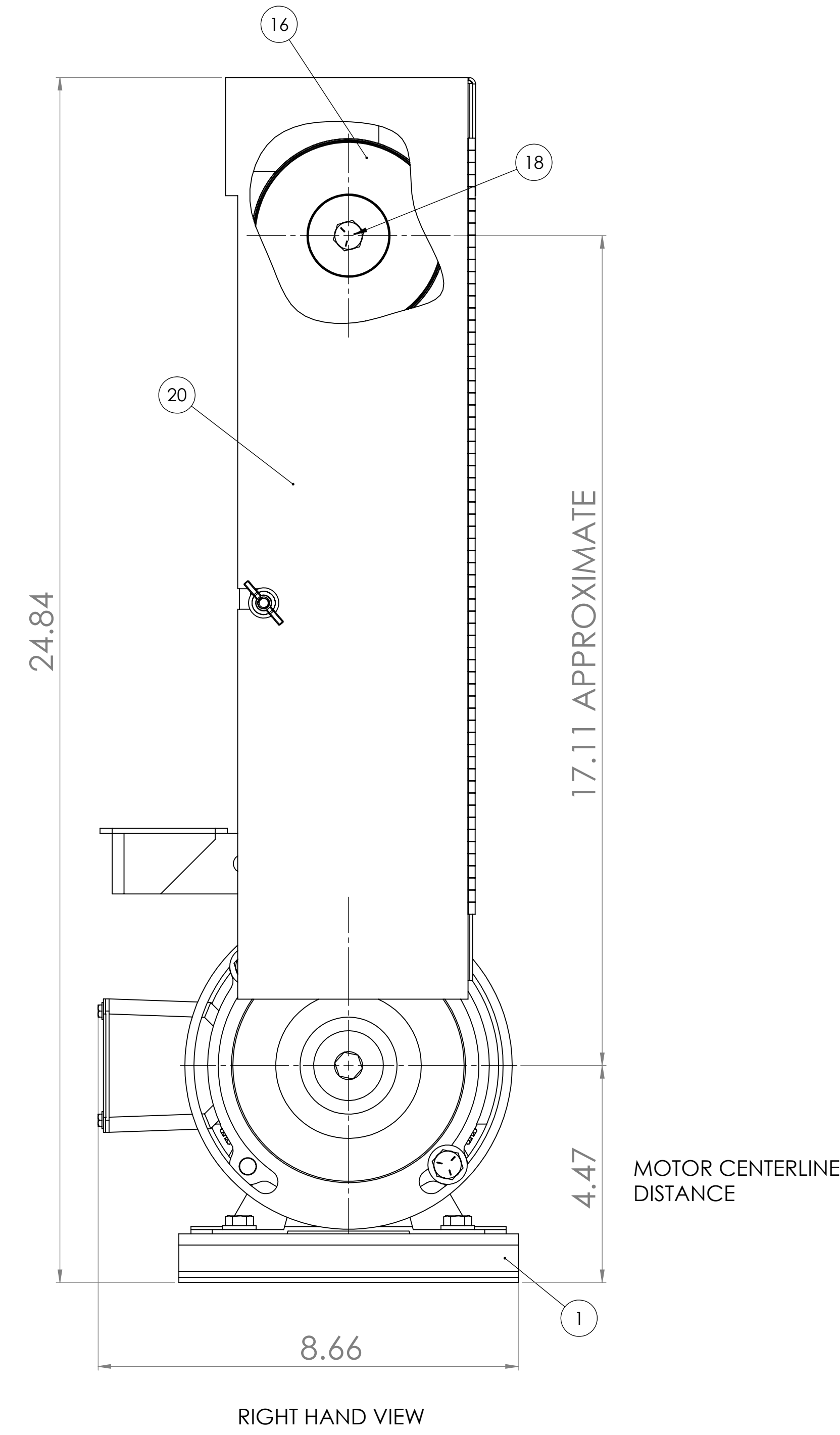
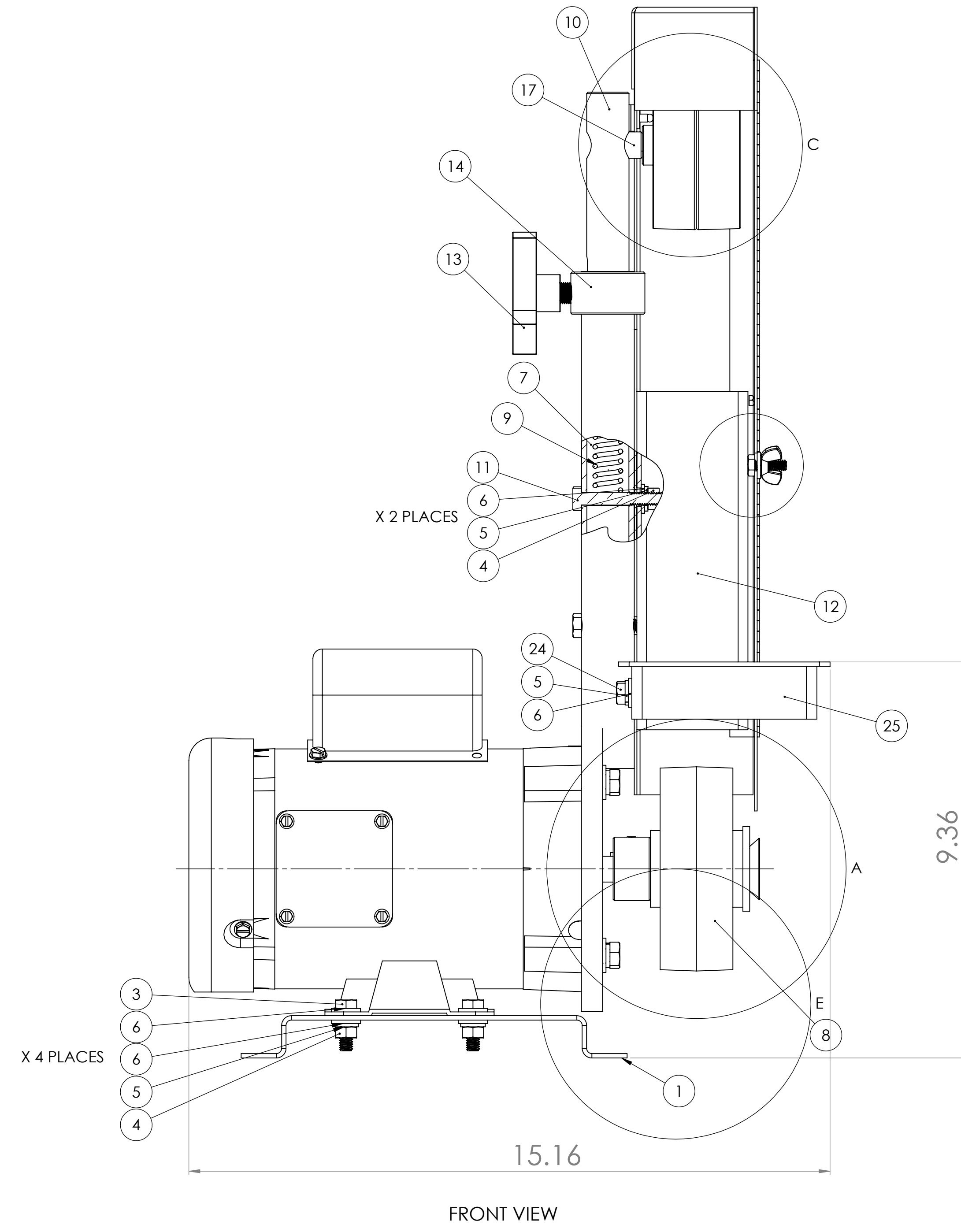
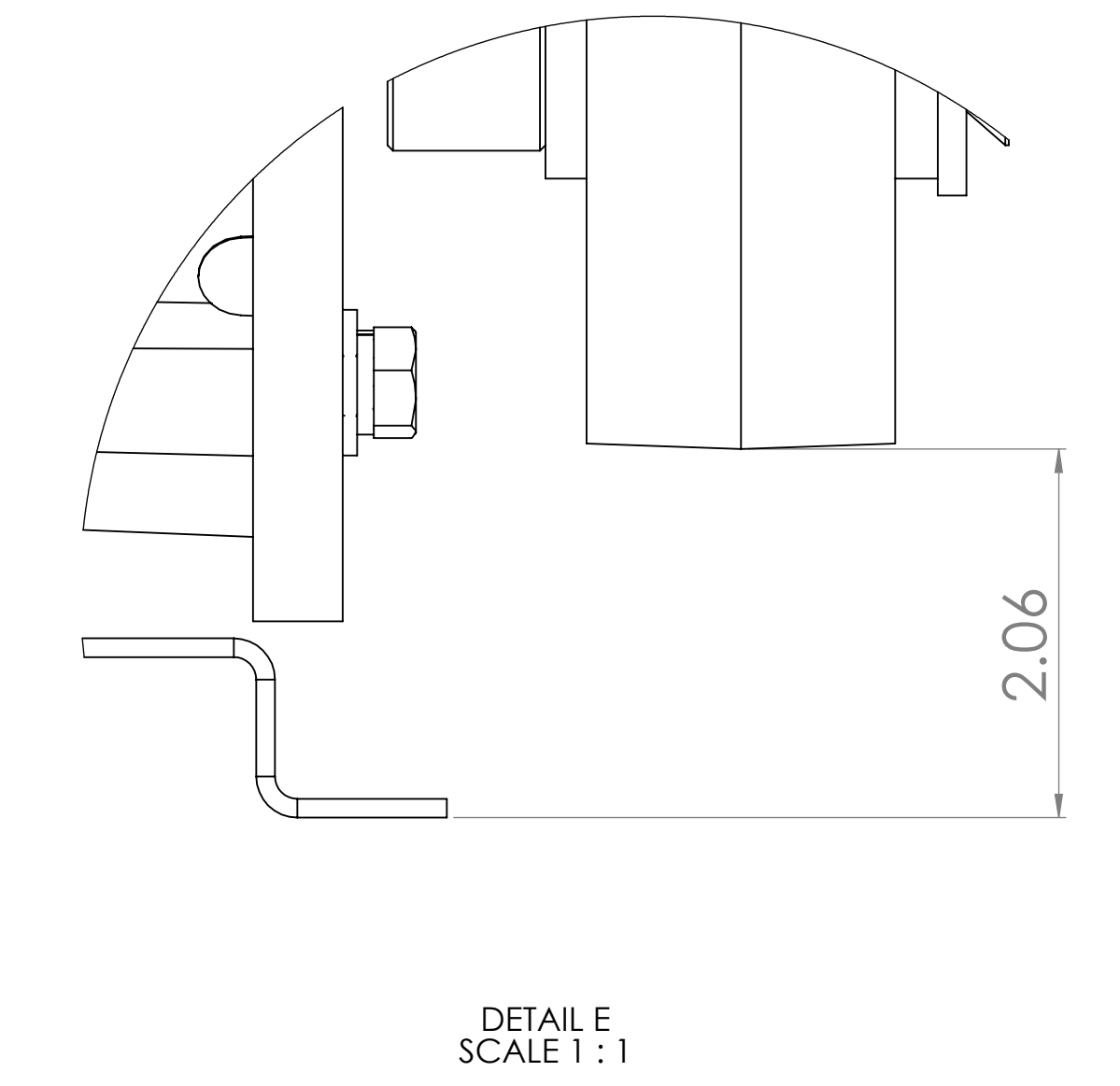


0.25 BETWEEN
FLANGE FACE AND
SPINDLE FACE



ITEM NO.	PART NUMBER	DESCRIPTION	QTY.
1	829-006	MOTOR BASE WITH TUBE SUPPORT FOR 2FSM	1
2	484-022	1/2HP, 1PH, 3450RPM, 56F, 115/230 FOR S612V VAC MOTOR CL3503 102836.00	1
3	HHC5031016	5/16-18 X 1 HHCS GR5 Z	4
4	FHN5031	5/16-18 FHN GR5 ZINC	6
5	SLW2031	5/16 SPLIT L/W Z	7
6	UFW2031	5/16 USS F/W Z	11
7	832-023	TUBE AND RING ASSEMBLY FOR 2FSM AND DS10-2M	1
8	936-007	DRIVE PULLEY WITH HUB FOR 2FSM AND DS10-2M NEW STYLE	1
9	697-013	TENSION SPRING FOR 2FS, 2FS72, 2FSM, BG142, 2FS72M, K12-14B	1
10	645-008	TENSION ROD FOR 2FS, 2FSM, 2FS72, 2SK7 SANDERS	1
11	HHC5031032	5/16-18 X 2 HHCS GR5 Z	2
12	550-006	PLATEN FOR 2FSM AND S2 KIT	1
13	441-011	TRACKING KNOB FOR 2FS, 2FS72, 2FSM, 2SK7 SANDERS	1
14	123-004	TRACKING COLLAR FOR 2FS, 2FS72, 2FSM, 2SK7, BG142	1
15	SSKA031006	5/16-18 X 3/8 SOC SET KNURL PT.	1
16	936-030	STEEL IDLER PULLEY, NEW STYLE FOR 2FS, 2FSM, 2SK7	1
17	004-004	ADAPTOR FOR 936-003 IDLER PULLEY	1
18	HHC5037040	3/8-16 X 2-1/2 HHCS GR5 Z	1
19	SLW2037	3/8 SPLIT L/W Z	3
20	342-018	GUARD, HINGED OSHA FOR 2FS, 2FSM, 2SK7 SANDERS	1
21	WGN2025	1/4-20 FORGED WING NUT Z	1
22	UFW2025	1/4 USS F/W Z	1
23	HHC5025012	1/4-20 X 3/4 HHCS GR5 Z	1
24	HHC5031012	5/16-18 X 3/4 HHCS GR5 Z	1
25	829-004	WORK TABLE FOR 2", 4", DS10-4 SANDERS	1
26	HHC5037020	3/8-16 X 1-1/4 HHCS GR5 Z	2
27	UFW2037	3/8 USS F/W Z	2
28	SSKA025006	1/4-20 X 3/8 SOC SET KNURL PT.	1



UNLESS OTHERWISE SPECIFIED:
DIMENSIONS ARE IN INCHES
TOLERANCES:
FRACTIONS ± .005
ANGULAR ± .0315° BEND ± .0315°
THREE PLACE DECIMAL ± .0005
INTERFERENCE GEOMETRIC TOLERANCES PER ASME Y14.5-2009

PROPERTY AND CONFIDENTIAL: THIS DRAWING IS THE PROPERTY OF KALAMAZOO TOOL COMPANY. IT IS TO BE USED ONLY FOR THE PURPOSES SPECIFIED HEREIN. NO PART OF THIS DRAWING IS TO BE REPRODUCED OR TRANSMITTED IN ANY FORM OR BY ANY MEANS, ELECTRONIC OR MECHANICAL, INCLUDING PHOTOCOPYING, RECORDING, OR BY ANY INFORMATION STORAGE AND RETRIEVAL SYSTEM, WITHOUT THE WRITTEN PERMISSION OF KALAMAZOO TOOL COMPANY. TRADE NAMES AND LOGO'S ARE THE PROPERTY OF THEIR RESPECTIVE OWNERS.

APPROVAL: _____ DATE: _____
DRAWN BY: _____ CHECKED BY: _____
ENG APPR: _____
MFG APPR: _____
D.A. COMMENTS: _____

SCALE: 1:2 WEIGHT: _____ SHEET 1 OF 1

KALAMAZOO
2FSM ASSEMBLY