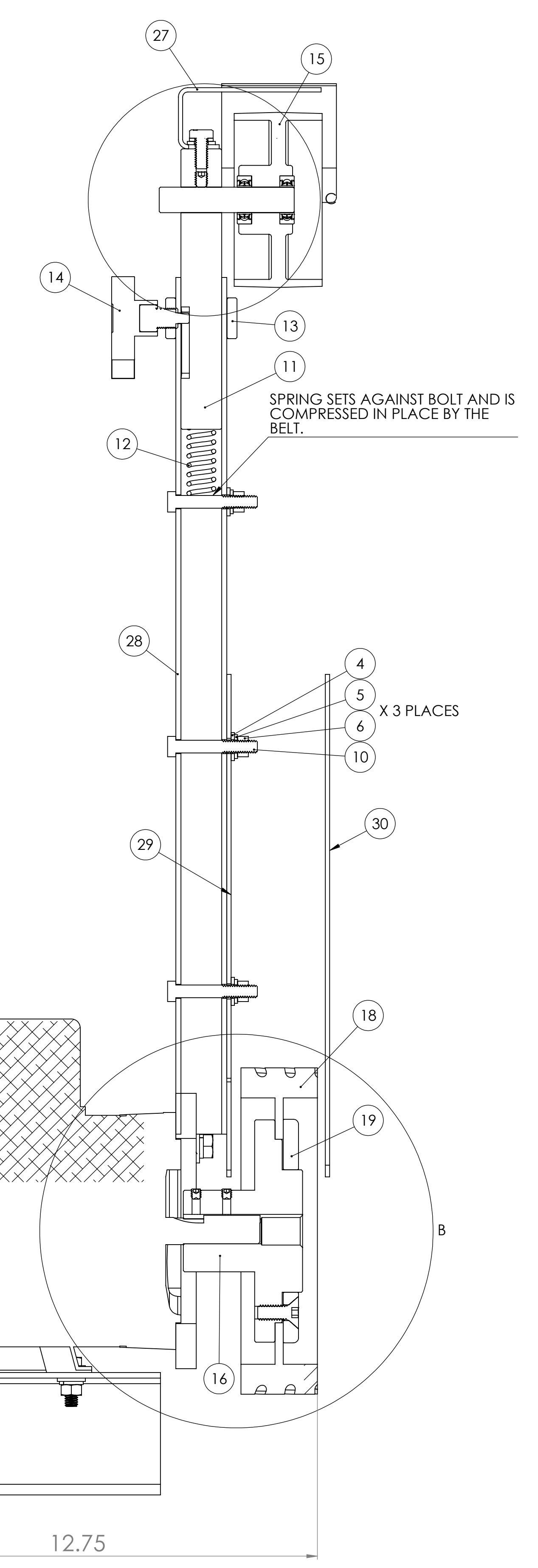


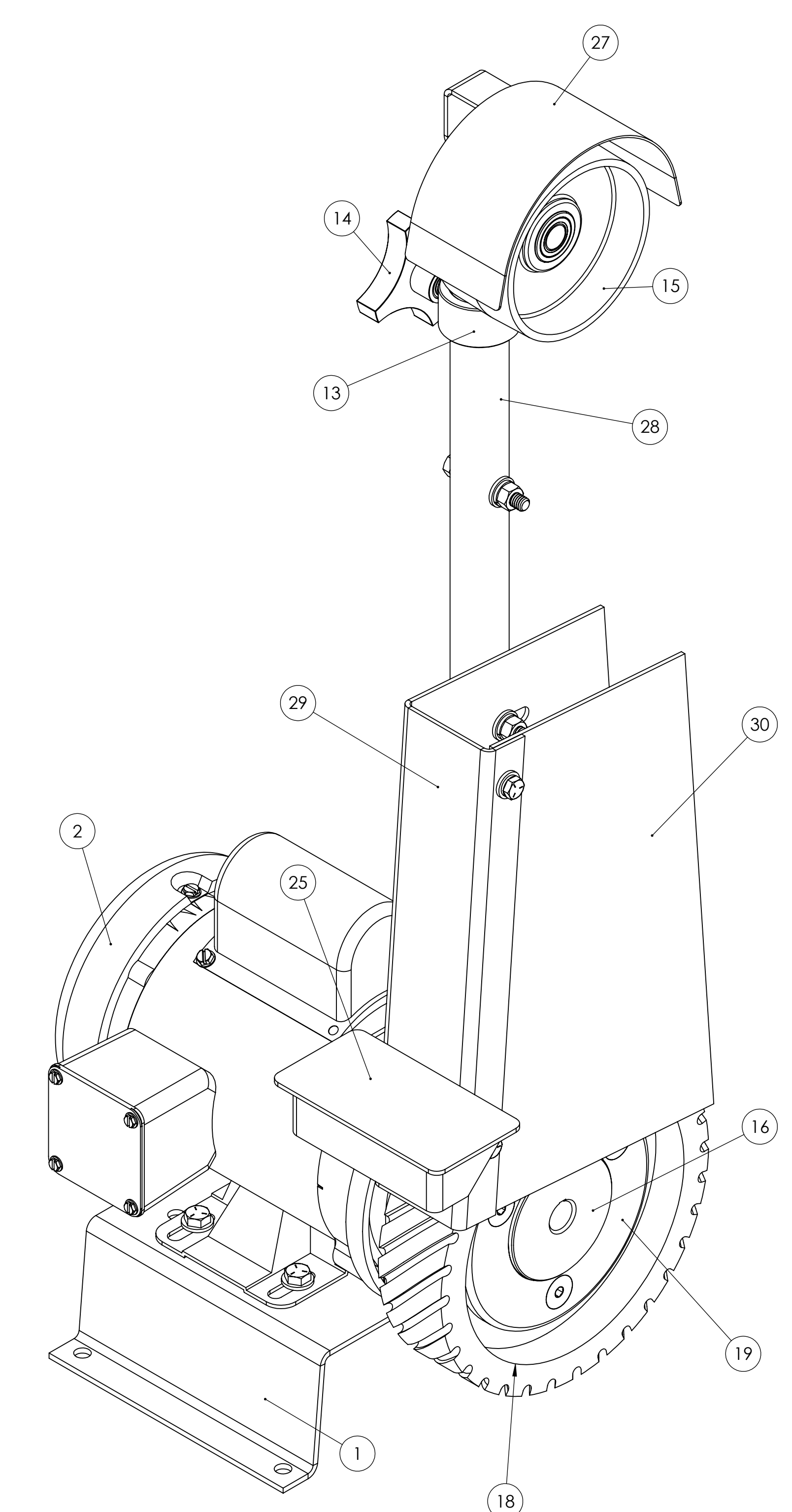
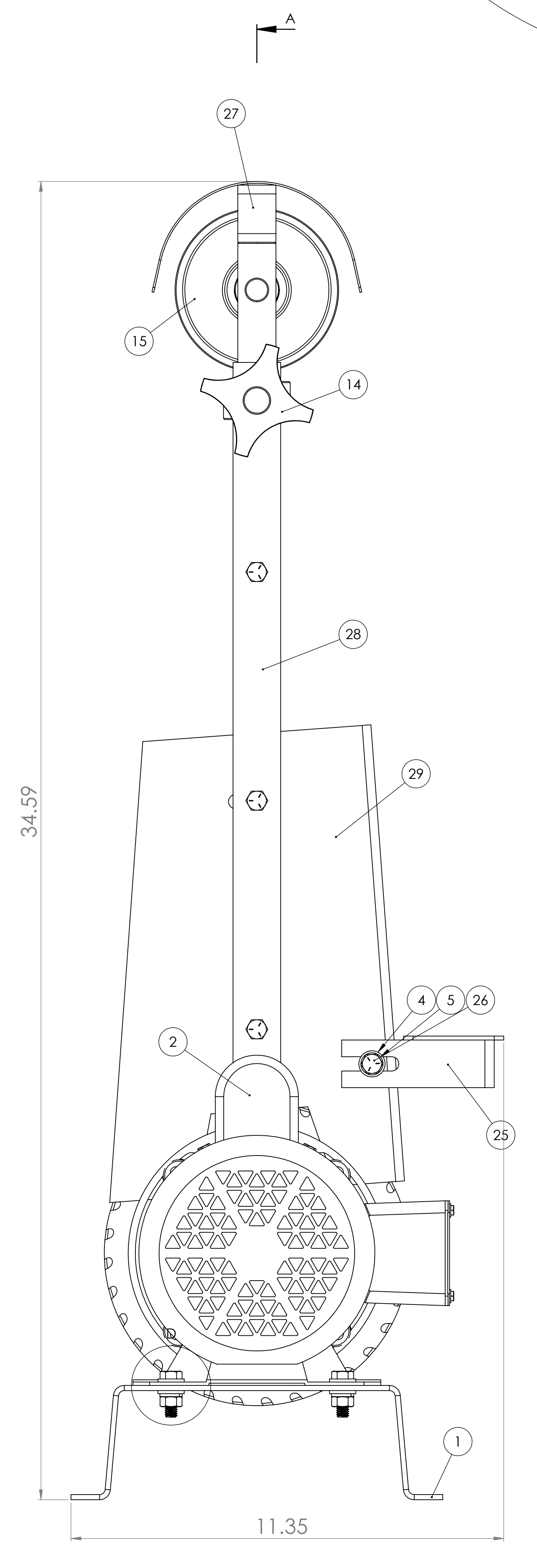
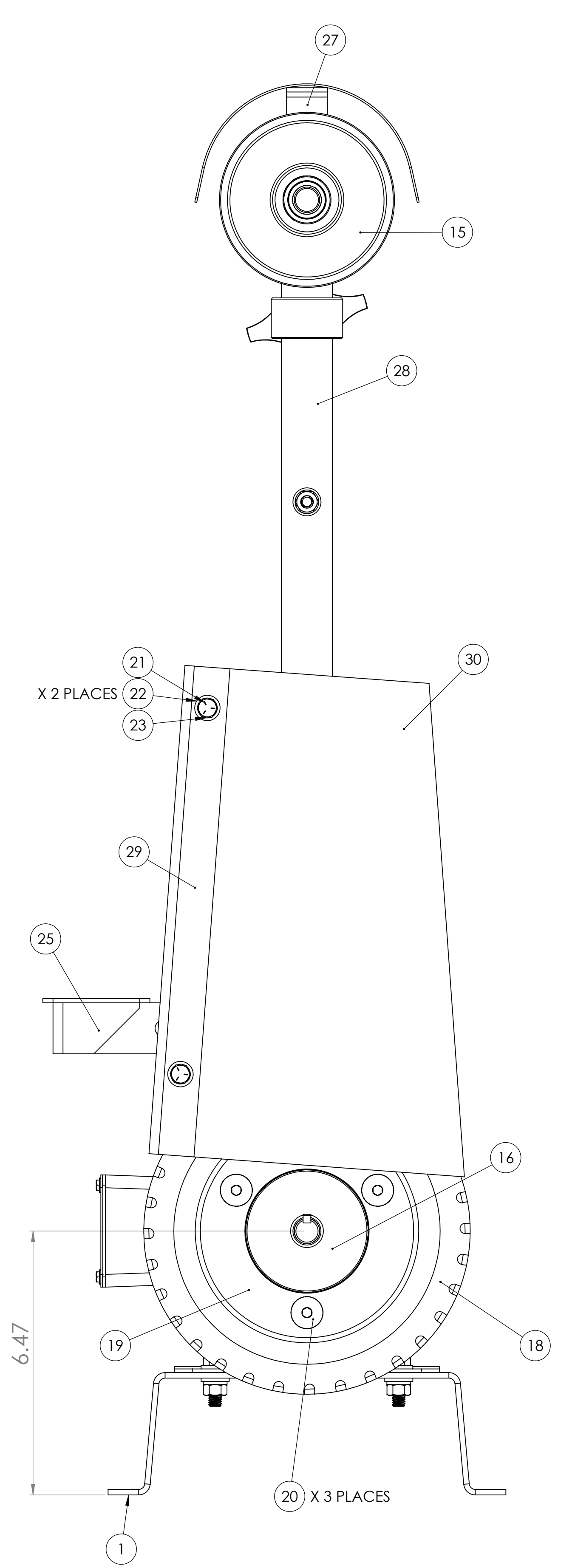
DETAIL C  
SCALE 1 : 1

DETAIL B  
SCALE 1 : 1

SPRING SETS AGAINST BOLT AND IS COMPRESSED IN PLACE BY THE BELT.



SECTION A-A  
SCALE 1 : 2



ITEM NO.	PART NUMBER	DESCRIPTION	QTY.
1	829-055	BASE FOR BG448 TO BENCH MOUNT MACHINE	1
2	486-022	1/2HP MOTOR FOR 2FSM, S4S AND S612V VAC MOTOR	1
3	HHCS031016	5/16-18 X 1 HHCS GR5 Z	4
4	UFW2031	5/16 USS F/W Z	13
5	SLW2031	5/16 SPLIT L/W Z	9
6	FHN5031	5/16-18 FHN GR5 ZINC	7
7	HHCS037020	3/8-16 X 1-1/4 HHCS GR5 Z	2
8	UFW2037	3/8 USS F/W Z	2
9	SLW2037	3/8 SPLIT L/W Z	2
10	HHCS031032	5/16-18 X 2 HHCS GR5 Z	3
11	645-008	TENSION ROD FOR 2FS, 2FSM, 2FS72, 2SK7 SANDERS	1
12	697-013	TENSION SPRING FOR 2FS, 2FS72, 2FSM, BG142, 2FS72M, K12-148	1
13	123-004	TRACKING COLLAR FOR 2FS, 2FS72, 2FSM, 2SK7, BG142	1
14	441-011	TRACKING KNOB FOR 2FS, 2FS72, 2FSM, 2SK7 SANDERS	1
15	936-003	NYLON IDLER PULLEY W/ BEARINGS FOR S272, B5272, 2FS72M, BG248	1
16	272-023	TIGHT FLANGE FOR CONTACT WHEEL 936-018	1
17	SSKA025004	1/4-20 X 1/4 SOC SET KNURL PT.	2
18	936-018	WHEEL DRIVE (BX2) C134T, 8" DIA, 1.875 FACE, 70 DURO, STANDARD SERRATION FOR BG248 AND 2FS72M	1
19	292-027	LOOSE FLANGE FOR WHEEL ADAPTOR FOR 2FS72 AND BG448 [NEW STYLE]	1
20	FSCA037016	3/8-16 X 1 FSHCS	3
21	HHCS025008	1/4-20 X 1/2 HHCS GR5 Z	2
22	UFW2025	1/4 USS F/W Z	2
23	SLW2025	1/4 SPLIT L/W Z	2
24	SSKA031006	5/16-18 X 3/8 SOC SET KNURL PT.	1
25	829-004	WORK TABLE FOR 2', 4', DS10-4 SANDERS	1
26	HHCS031012	5/16-18 X 3/4 HHCS GR5 Z	2
27	342-009	GUARD, UMBRELLA FOR 2FS, 2FS72, 2FS72M, BG248 SANDERS	1
28	832-022	TUBE SUPPORT W/RING FOR 2FS72R (NEW STYLE)	1
29	563-040	PLATEN FOR 2FS72 AND 2FS72M	1
30	563-040SP	SIDE PLATE FOR 2FS72 AND 2FS72M PLATEN	1

UNLESS OTHERWISE SPECIFIED:  
DIMENSIONS ARE IN INCHES  
TOLERANCES:  
FRACTIONS ± .005  
ANGULAR ± .005  
HOLE POSITION ± .005  
THREE PLACE DECIMAL ± .001  
INFERFIT GEOMETRIC TOLERANCES PER ASSEMBLY

PROPRIETARY AND CONFIDENTIAL  
THIS DRAWING IS THE PROPERTY OF INTERFIT CORPORATION  
REPRODUCTION IN PART OR AS A WHOLE WITHOUT THE WRITTEN PERMISSION OF INTERFIT CORPORATION IS PROHIBITED.

DATE: \_\_\_\_\_  
DRAWN BY: \_\_\_\_\_  
CHECKED: \_\_\_\_\_  
ENG APPR: \_\_\_\_\_  
MFG APPR: \_\_\_\_\_  
D.A. COMMENTS: \_\_\_\_\_

TITLE: **2FS72M ASSEMBLY**

SIZE: DWG. NO. **2FS72M** REV \_\_\_\_\_  
SCALE: 1:1 WEIGHT: \_\_\_\_\_ SHEET 1 OF 1

APPICATION: \_\_\_\_\_ USED ON: \_\_\_\_\_ FINISH: \_\_\_\_\_  
DO NOT SCALE DRAWING