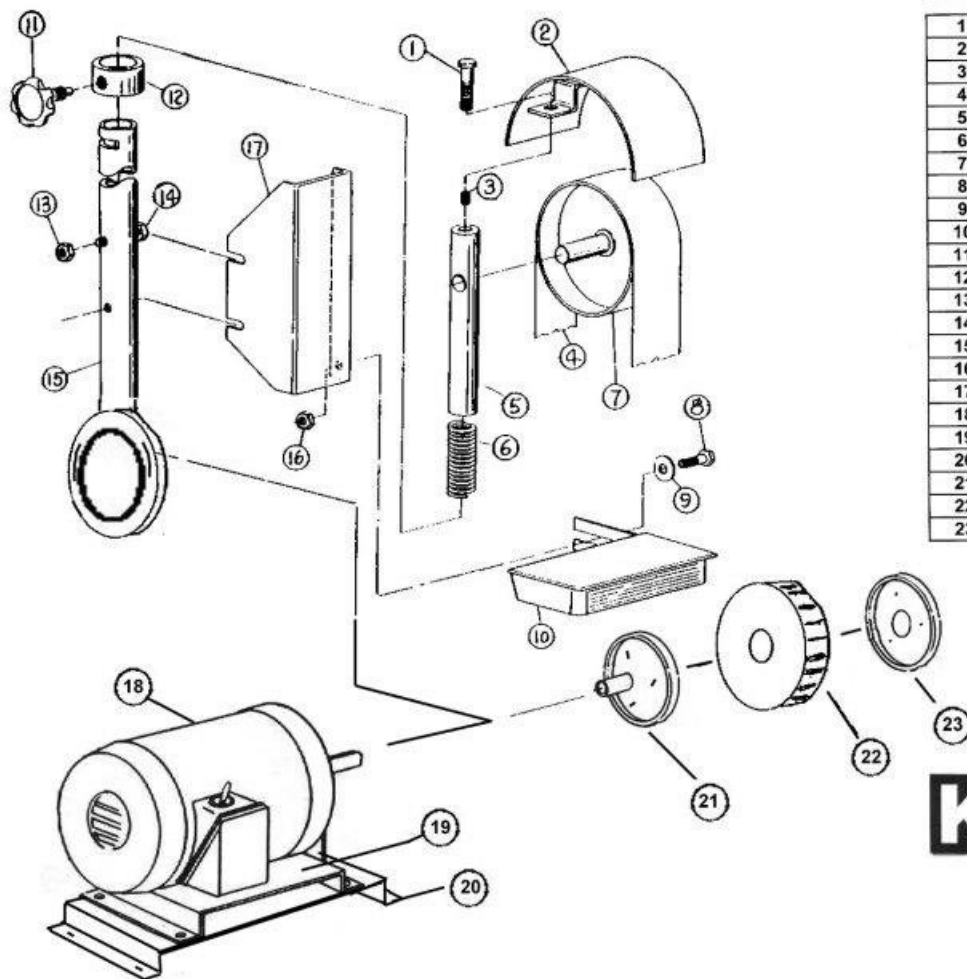


2FS72M 2" x 72" belt

PARTS FOR 2FS72M SANDERS



NO.	PART NO.	DESCRIPTION	QTY
1		5/16-18x1/2 H.H.C.S.	1
2	342-009	BELT GUARD	1
3		5/16-18x3/8 S.S.S.	1
4	KB27280	2" x 72" BELT	1
5	645-008	TENSION ROD	1
6	697-013	TENSION SPRING	1
7	936-003	IDLER PULLEY W/BEARING	1
8		1/4-20x1/2 H.H.C.S.	1
9		1/4" WASHER	1
10	829-004	TILT TABLE	1
11	441-011	TRACKING KNOB	1
12	123-004	TRACKING COLLAR	1
13		5/16-18 H.H. NUT	2
14		5/16-18 H.H.C.S.	2
15	829-0225	TUBE SUPPORT W/ RING	1
16		1/4-20 H.H. NUT	1
17	563-040	PLATEN FOR 2FS72	1
18	486-077	1/2HP, 1PH MOTOR	1
19	829-053A	TOP BASE	1
20	829-053B	LOWER BASE	1
21	292-023B	WHEEL ADAPTOR	1
22	936-018	2" X 8" CONTACT WHEEL	1
23	292-027	OUTER WHEEL ADAPTOR	1

KI **KALAMAZOO
INDUSTRIES, INC.**

6856 East K Avenue
Kalamazoo, MI 49048
269-382-2050 PH
269-382-0790 FAX
www.kalamazooindustries.com