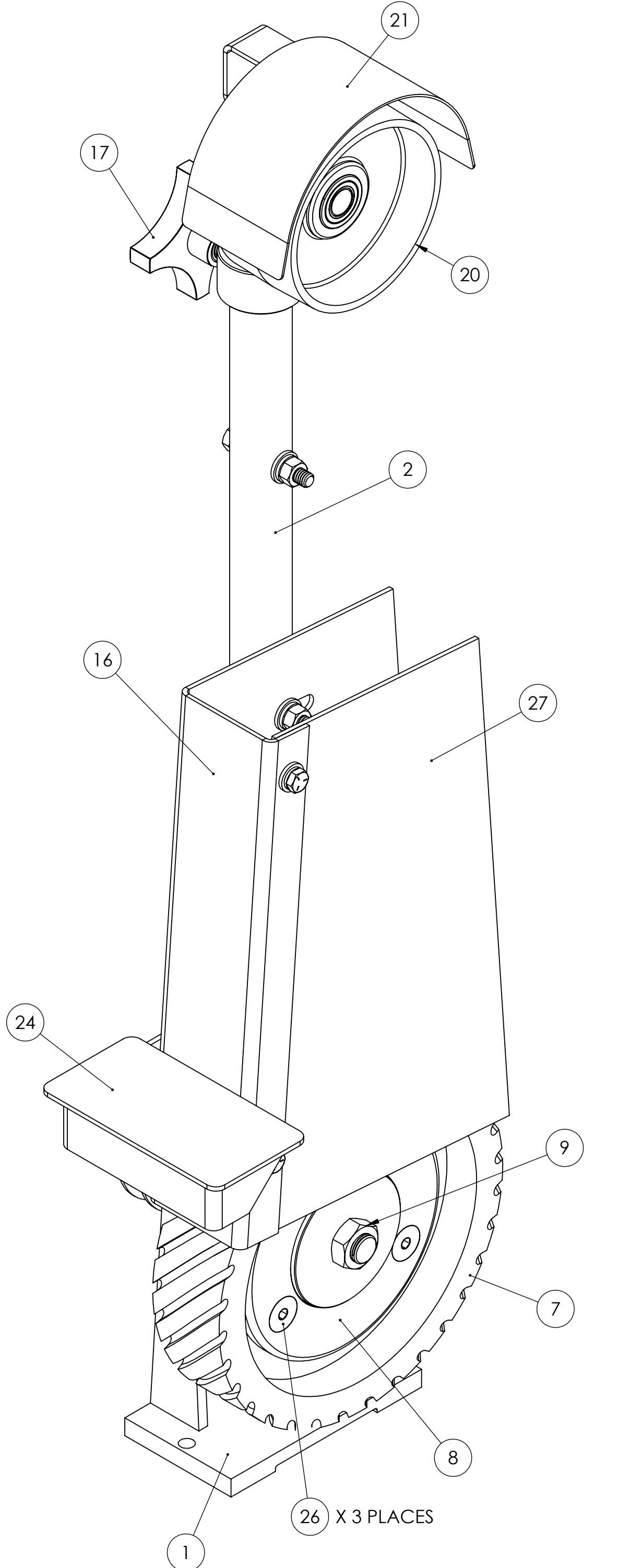
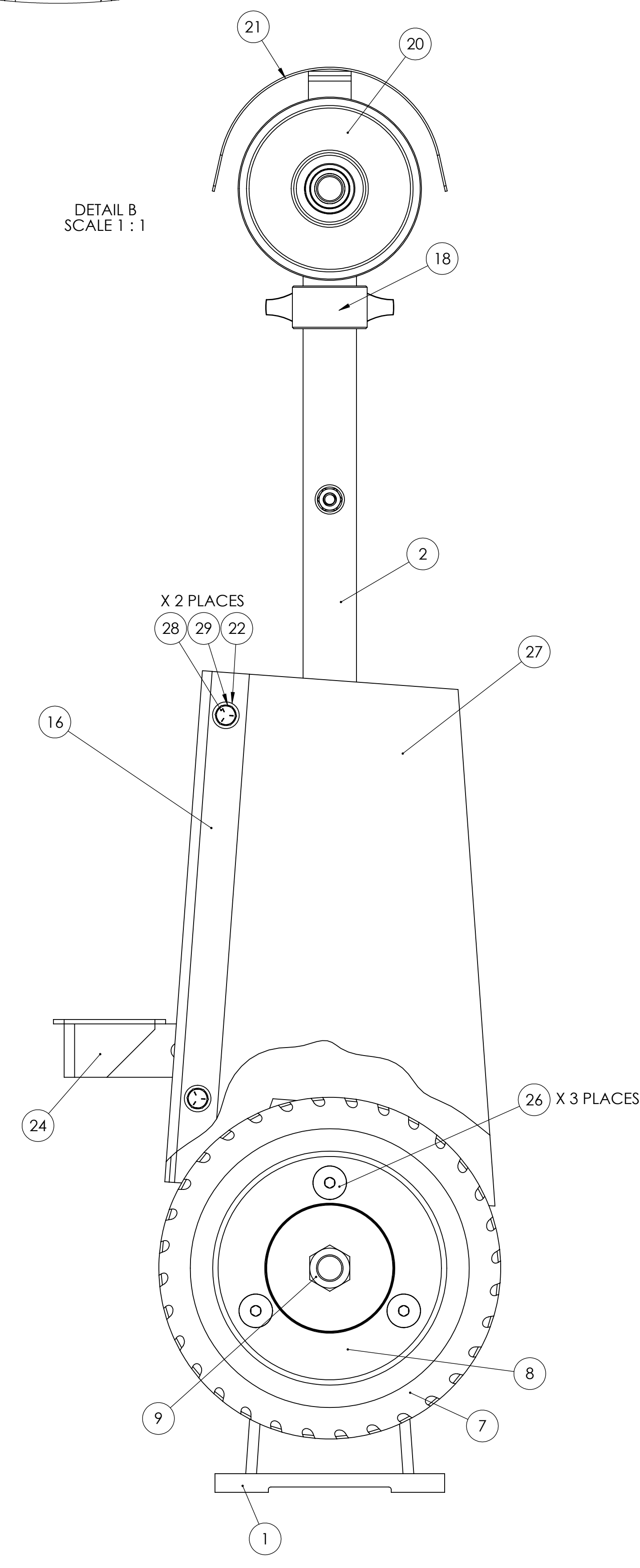
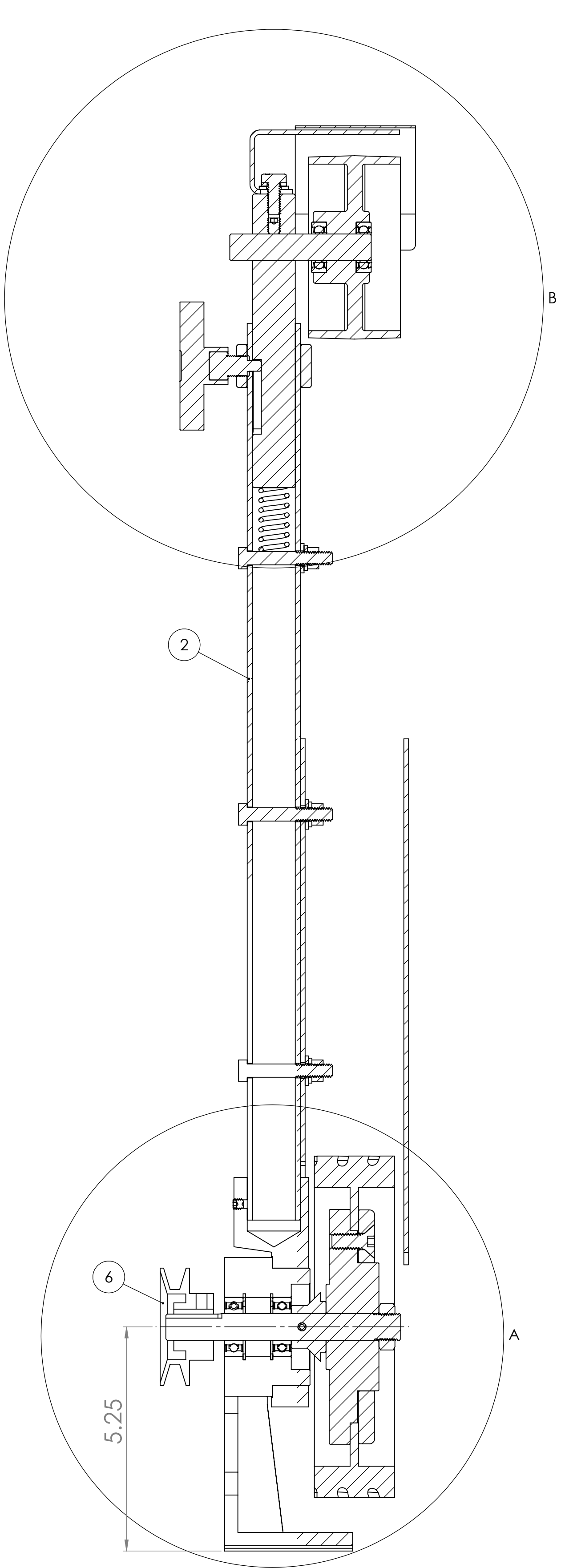
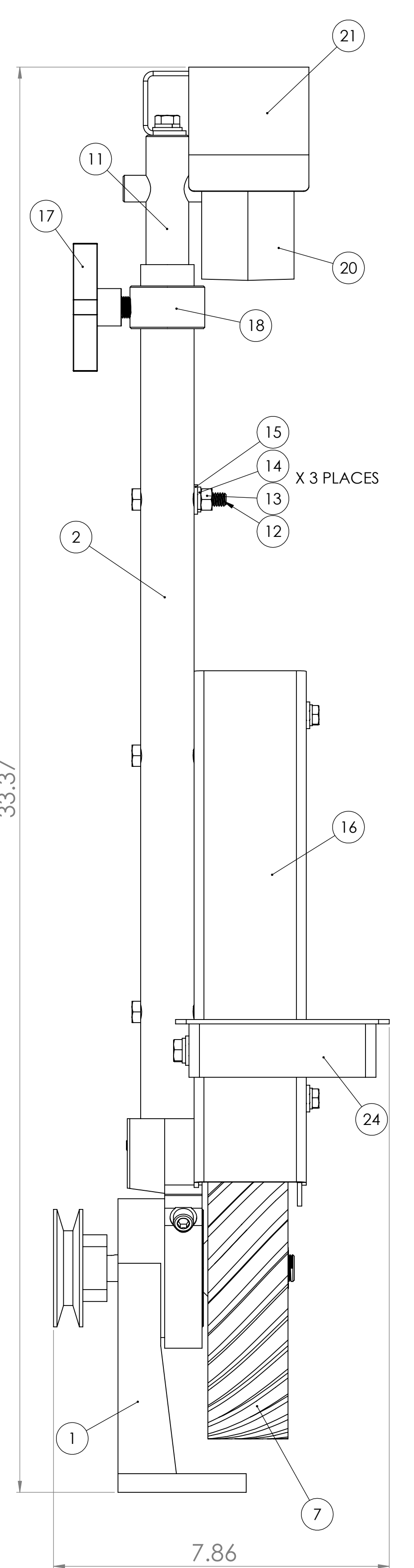
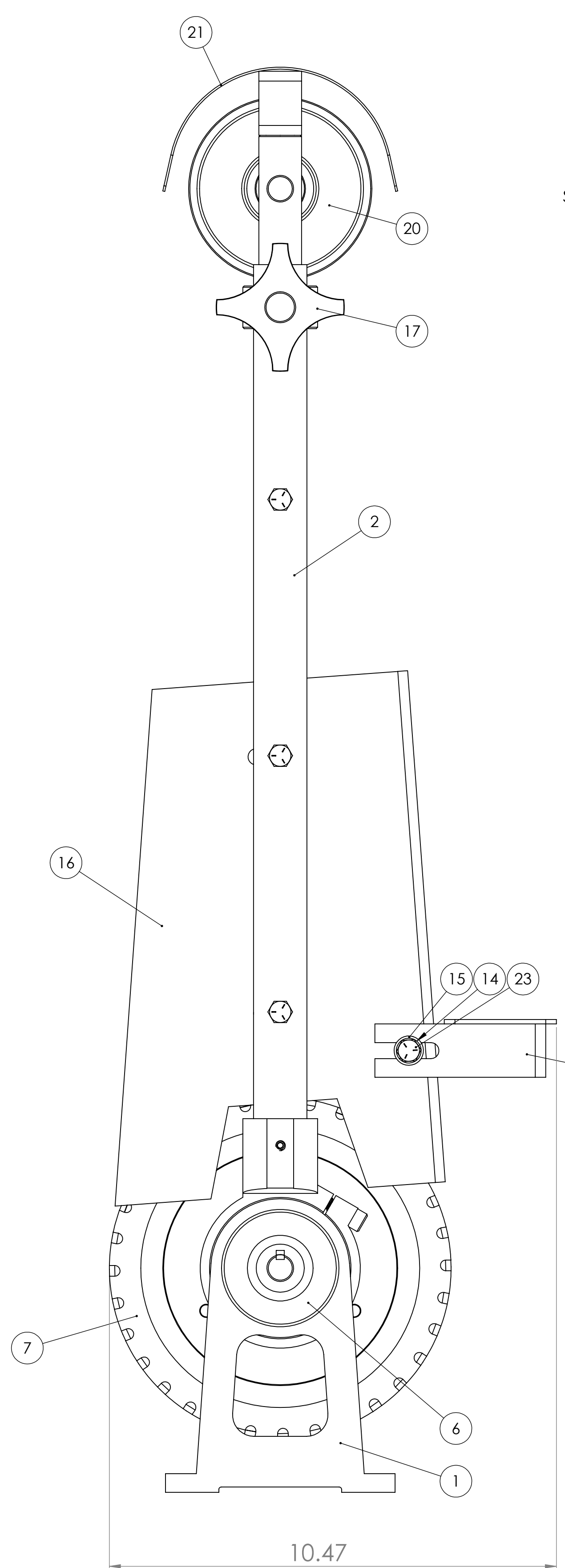
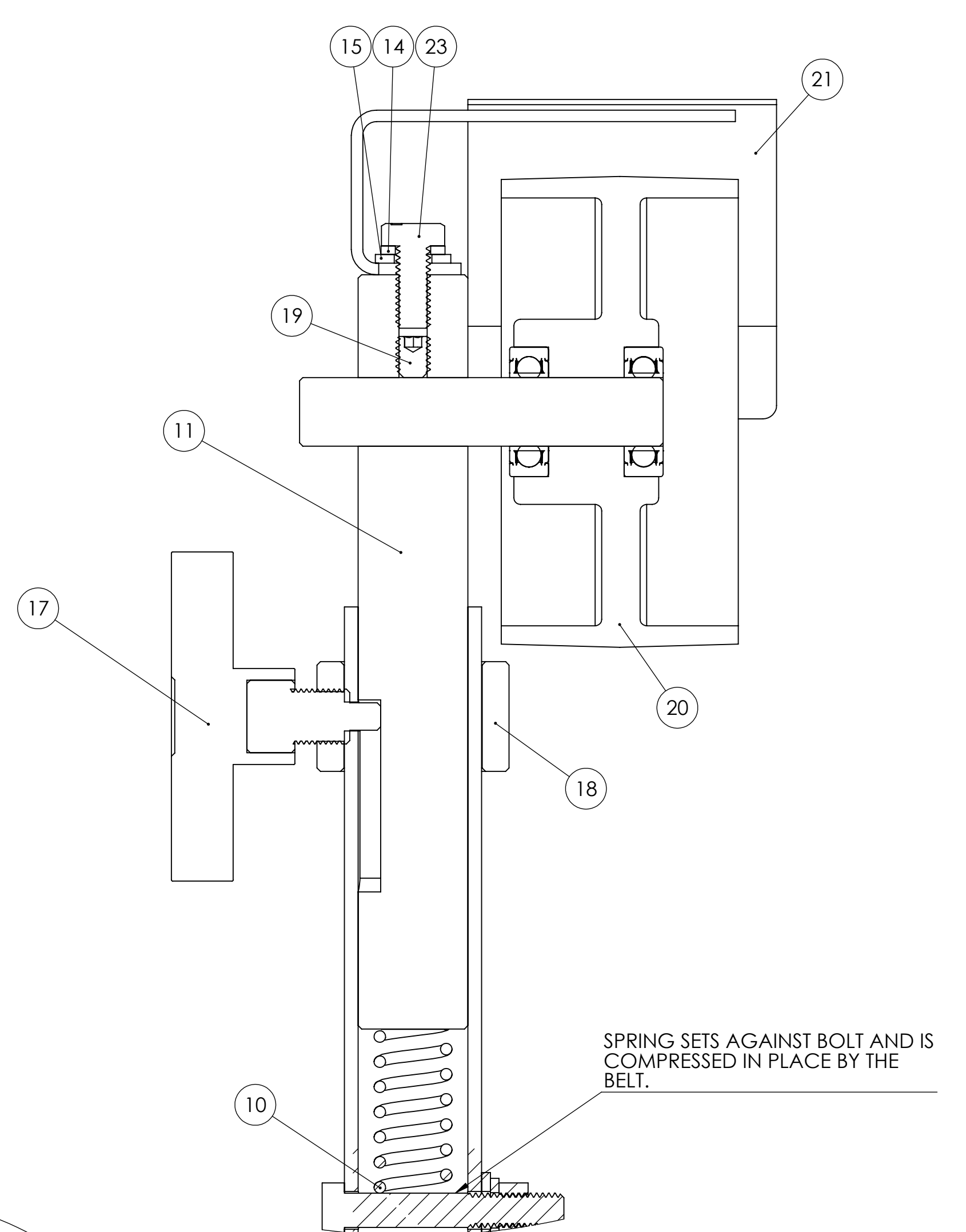
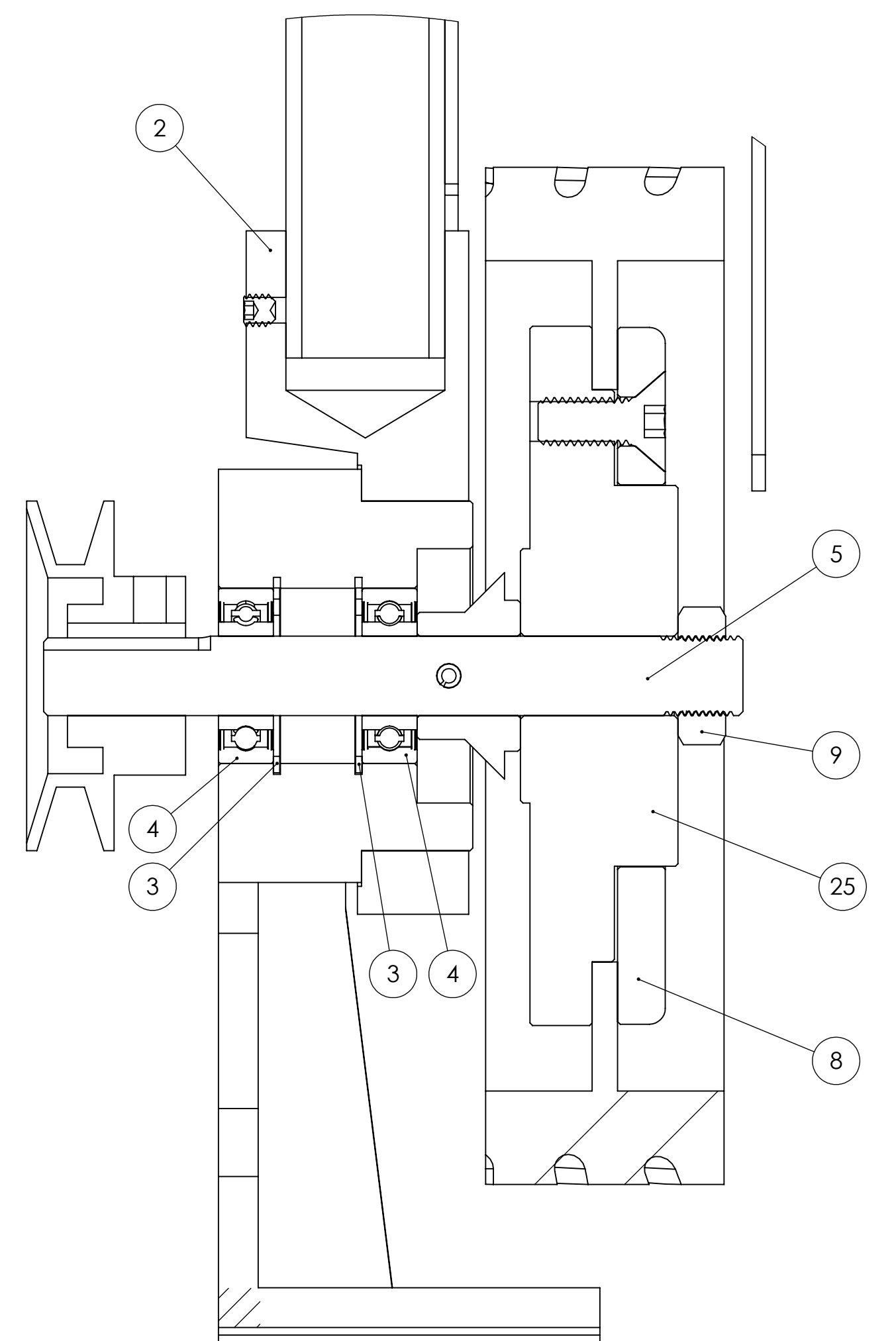


ITEM NO.	PART NUMBER	DESCRIPTION	QTY.
1	041-053	BASE BRACKET FOR 2FS72	1
2	291-011	2FS72 FRAME ASSEMBLY (LESS MOTOR)	1
3	641-015	RETAINING RING N5000-137 BLACK PHOSPHATE FOR 2FS, 2FS72 BASE	2
4	044-007	K10 BEARING	2
5	701-009	SPINDLE W FLANGE FOR 2FS	1
6	560-004	MOTOR PULLEY FOR K7B, K8B, 2FS, 2FS72M	1
7	936-018	WHEEL DRIVE (8X2) C134T, 8" DIA., 1.875" FACE, 70 DURO, STANDARD SERRATION FOR BG248 AND 2FS72M	1
8	292-027	LOOSE FLANGE FOR WHEEL ADAPTOR FOR 2FS72 AND BG448 (NEW STYLE)	1
9	FJNZ063	5/8-18 F.H. JAM NUT Z	1
10	697-013	TENSION SPRING FOR 2FS, 2FS72, 2FSM, BG142, 2FS72M, K12, 148	1
11	645-008	TENSION ROD FOR 2FS, 2FSM, 2FS72, 2SK7 SANDERS	1
12	HHC5031032	5/16-18 X 2 HHCS GR5 Z	3
13	FHN5031	5/16-18 FHN GR5 ZINC	3
14	SLWZ031	5/16 SPLIT L/W Z	5
15	UFWZ031	5/16 USS F/W Z	5
16	563-040	PLATEN FOR 2FS72 AND 2FS72M	1
17	441-011	TRACKING KNOB FOR 2FS, 2FS72, 2FSM, 2SK7 SANDERS	1
18	123-004	TRACKING COLLAR FOR 2FS, 2FS72, 2FSM, 2SK7, BG142	1
19	SSKA031006	5/16-18 X 3/8 SOC SET KNURL PT.	1
20	936-003	NYLON IDLER PULLEY W BEARINGS FOR S272, BG272, 2FS72M, BG248	1
21	342-009	GUARD UMBRELLA FOR 2FS, 2FS72, 2FS72M, BG248 SANDERS	1
22	UFWZ025	1/4 USS F/W Z	2
23	HHC5031012	5/16-18 X 3/4 HHCS GR5 Z	2
24	829-004	WORK TABLE FOR 2", 4", DS10-4 SANDERS	1
25	292-023A	TIGHT FLANGE FOR CONTACT WHEEL FOR 2FS72	1
26	FSCA037016	3/8-16 X 1 FSHCS	3
27	563-040SP	SIDE PLATE FOR 2FS72 AND 2FS72M PLATEN	1
28	HHC5025008	1/4-20 X 1/2 HHCS GR5 Z	2
29	SLWZ025	1/4 SPLIT L/W Z	2



SECTION A-A  
SCALE 1:2

UNLESS OTHERWISE SPECIFIED:		NAME	DATE
DIMENSIONS ARE IN INCHES	TOLERANCES:	DRAWN BY	CHECKED
FRACTIONS ARE	ANGULAR DIMENSIONS	ENG APPR	
THREE PLACE DECIMAL		MFG APPR	
INTERFERENCE GEOMETRIC TOLERANCES PER	ASME Y14.5	D.A.	
		COMMENTS:	
NEED ASSIST	USED ON	FINISH	
APPLICATION	DO NOT SCALE DRAWING		

**2FS72 ASSEMBLY**  
 SIZE DWG. NO. **2FS72** REV  
 SCALE: 1:5 WEIGHT: SHEET 1 OF 1