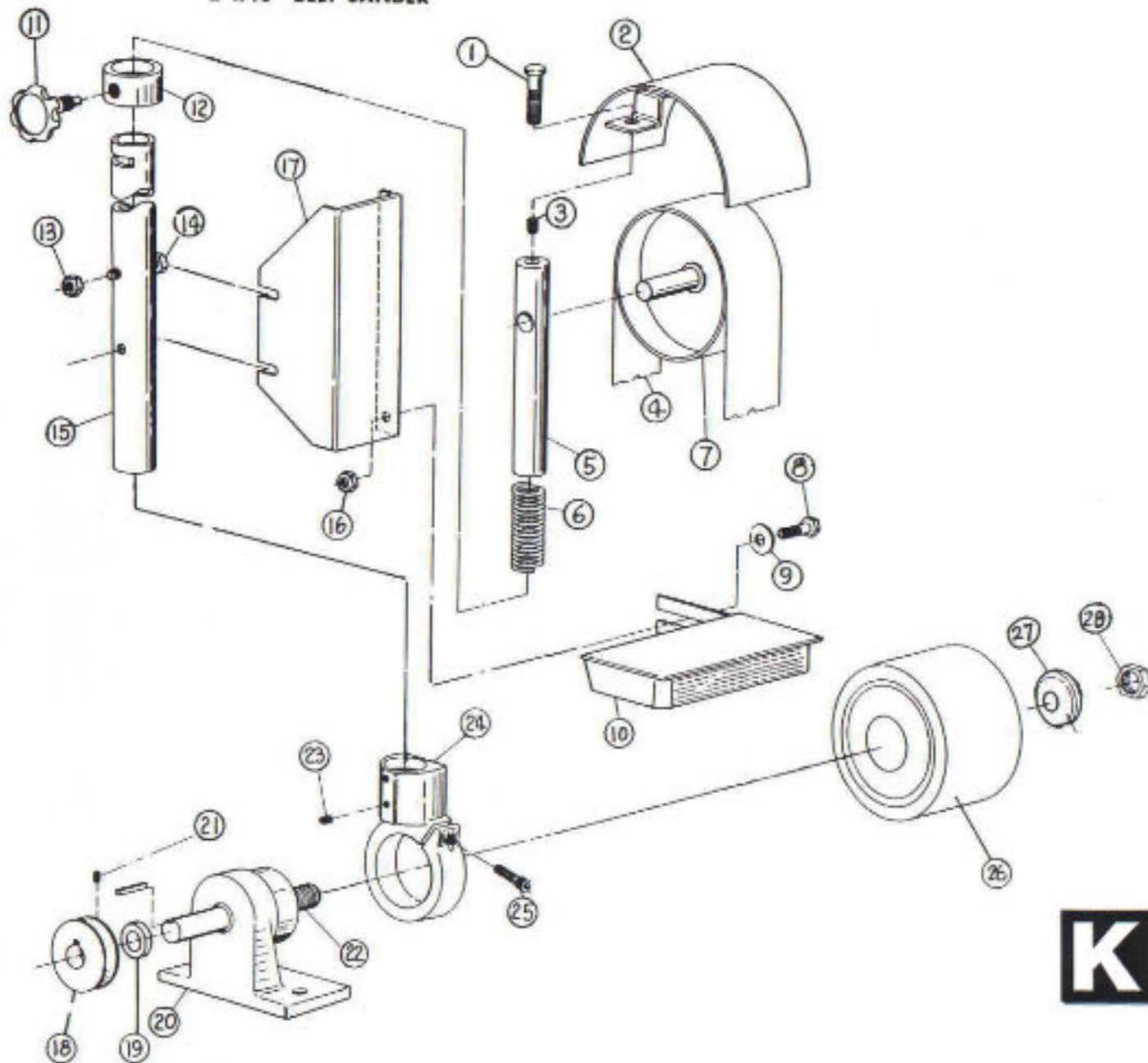


2"x48" BELT SANDER



PARTS SHEET FOR MODEL 2FS

ITEM	PART #	DESCRIPTION	QTY
1.		5/16-18x1/2 H.H.C.S.	1
2.	342-009	Belt Guard	1
3.		5/16-18x3/8 S.S.S.	1
4.		2 x 48 Belt	1
5.	645-008	Tension Rod	1
6.	697-013	Tension Spring	1
7.	936-003	Idler Wheel w/brgs	1
8.		1/4-20x1/2 H.H.C.S.	1
9.		1/4 Washer	1
10.	829-004	Tilt Table	1
11.	441-011	Tracking Knob	1
12.	123-004	Tracking Collar	1
13.		5/16-18 H.H. Nut	2
14.		5/16-18 H.H.C.S.	2
15.	829-003	Tube Support	1
16.		1/4-20 H.H. Nut	1
17.	550-006	Platen	1
18.	560-004	Pulley	1
19.	044-007	K10 Bearing	2
20.	041-011	Bracket Base	1
21.		5/16-18x1/4 S.S.S.	1
22.	701-009	Spindle w/flange	1
23.		1/4-20x1/4 S.S.S.	2
24.	041-010	Bracket	1
25.		5/16-18x1 S.H.C.S.	1
26.	936-004	Drive Wheel	1
27.		Loose Flange	1
28.		5/8-18 Hex Nut	1

KI KALAMAZOO INDUSTRIES, INC.

6856 East K Avenue
 Kalamazoo, MI 49048
 269-382-2050 PH
 269-382-0790 FAX
www.kalamazooindustries.com