

KI **KALAMAZOO**
INDUSTRIES, INC.
KALAMAZOO, MI

PH: (269) 382-2050

www.kalamazooind.com

2FS BELT SANDER MANUAL



MADE IN USA

KI **KALAMAZOO** INDUSTRIES, INC. KALAMAZOO, MI

PH: (269) 382-2050

www.kalamazooind.com

WARNING!

TO REDUCE THE RISK OF FIRE OR SHOCK HAZARD,
DO NOT EXPOSE THIS EQUIPMENT TO RAIN, ANY LIQUID OR MOISTURE.

INSPECTION

If these goods are damaged in transit, the **DELIVERING TRANSPORTATION COMPANY** is required by law to make notation of damages on the freight bill. If in your opinion, there may be concealed damage, they are required to make an inspection after goods are unpacked. Transportation rates are made in proportion to damage. Therefore, the carrier and **NOT** the shipper should be charged with any loss or damage. Any claim should be filled with the delivering **TRANSPORTATION COMPANY. PLEASE DO NOT RETURN GOODS TO US WITHOUT OUR RGA NUMBER AND SHIPPING INSTRUCTIONS.**

NOTE: SEE NEXT PAGE FOR RETURN POLICY AND WARRANTY.

IMPORTANT

Read Operating Instructions before using equipment.

OPERATING INSTRUCTION

1. **Disconnect power** before making any adjustments.
2. Abrasive belt rotation is counter-clockwise. If the abrasive belt is lap spliced be sure of the correct belt rotation. Butt spliced belts bi-directional.
3. Belt tension is pre-set with internal spring **(10)**. No belt tension adjustment is required.
4. To change belt **disconnect power**, loose tracking knob **(17)**, open belt guard **(24)**, compress spring belt tension by pushing down on tension shaft **(11)**, remove belt and replace with new belt of your choice.
5. Belt tracking- with power disconnected rotate belt by hand to center or "track" sanding belt. Rotate tracking knob **(17)** and tracking collar **(18)**, left and or right turns the tension shaft **(11)** to "track" the belt. Re-lock the tracking knob **(17)** to lock in belt tracking. Close belt guard **(24)** and reconnect connect power.

KI **KALAMAZOO** INDUSTRIES, INC. KALAMAZOO, MI



PH: (269) 382-2050

www.kalamazooind.com

WARRANTY

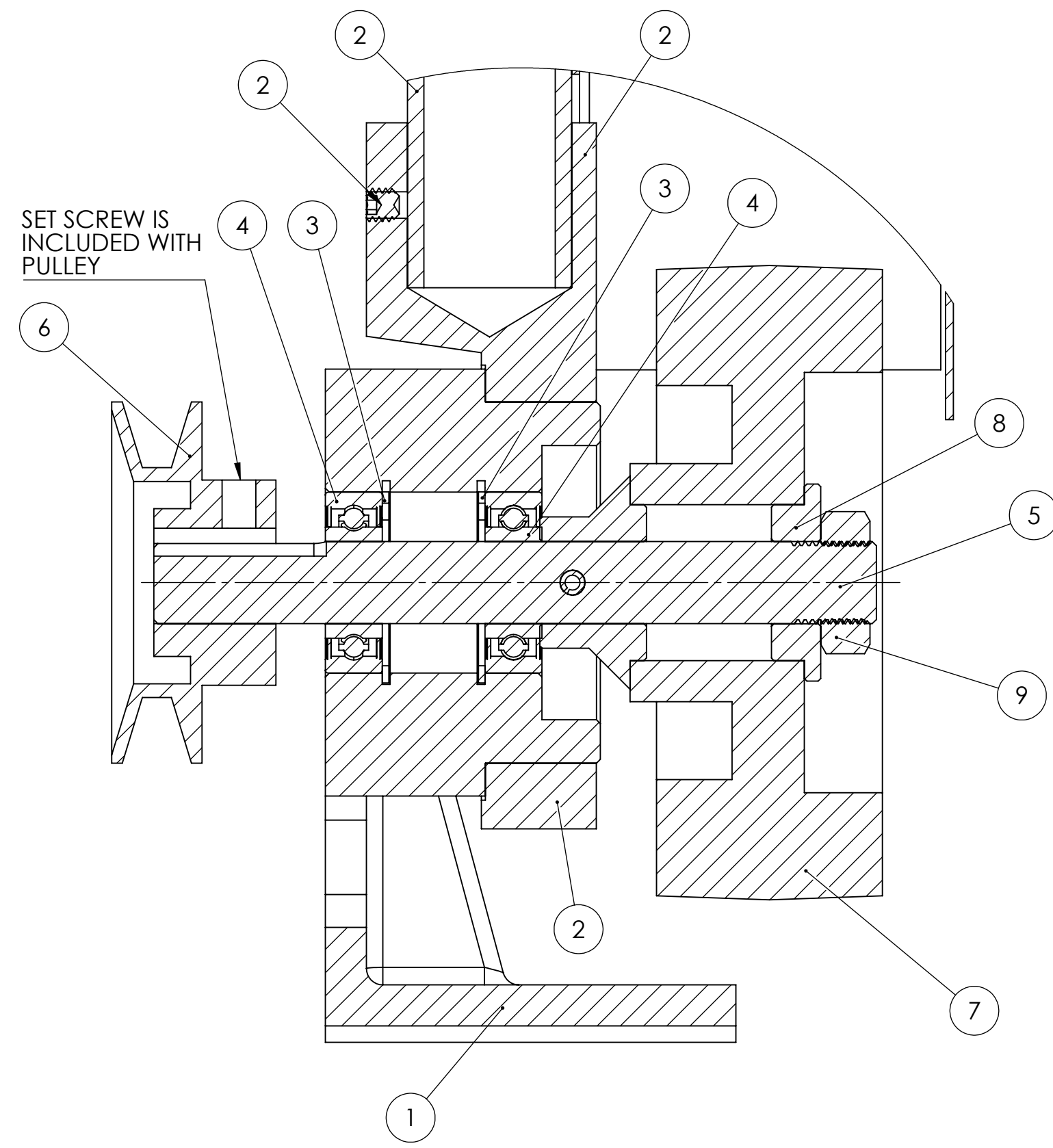
All products are guaranteed for a period of one year from receipt of order to the original purchaser, against defects in material workmanship under normal use. Electric motors are warranted by the motor manufacturer for a period of one year and will be repaired by the nearest motor repair station. If non-repairable, they will be replaced by Kalamazoo Industries. Please call for instructions (269) 382-2050.

RETURN POLICY

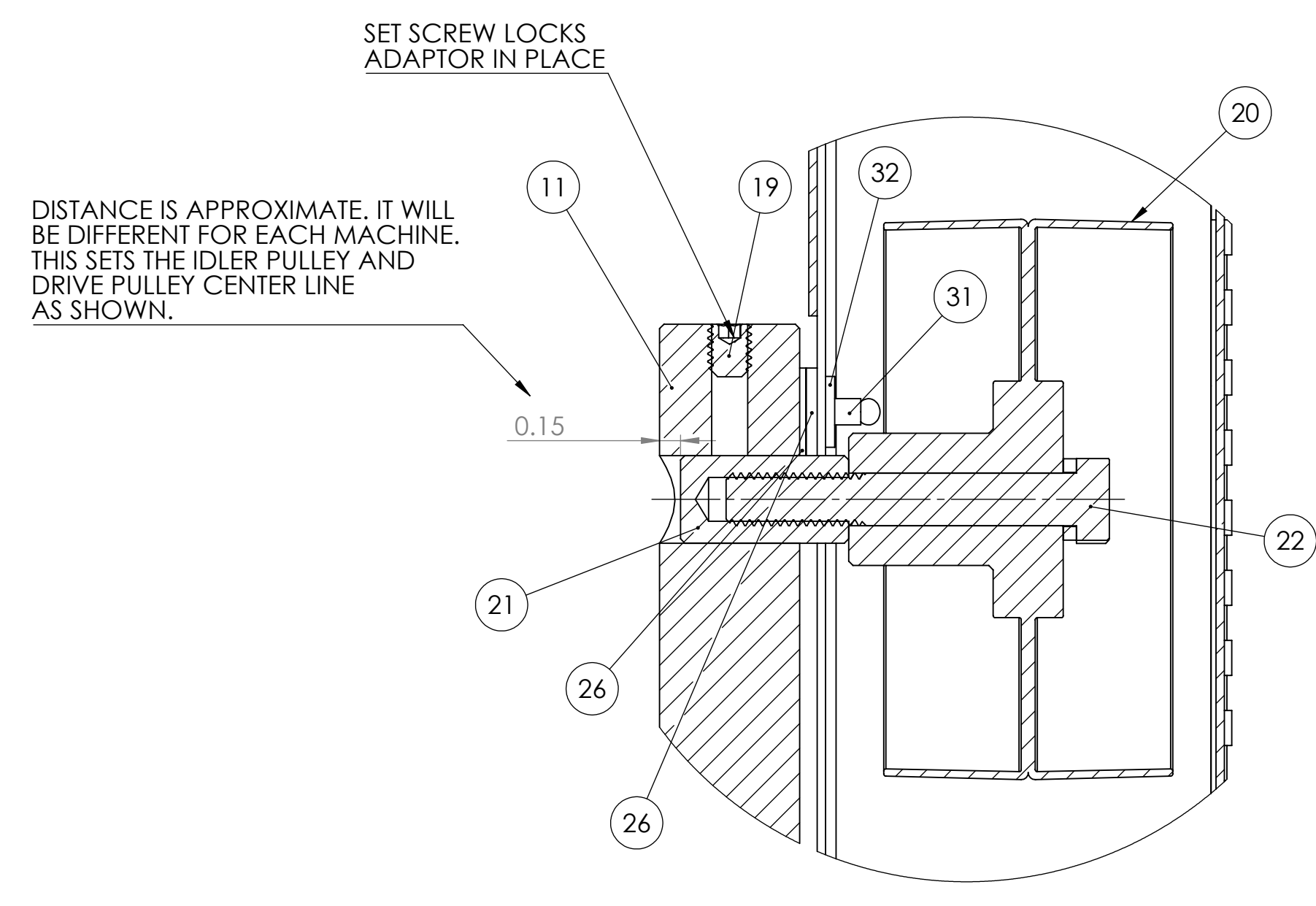
Authorization must be obtained before returning merchandise. Please call our customer service department for a return authorization number (269) 382-2050. Please include with your return a copy of your invoice of packing slip. All material must be new and unused in the original packaging. Material must be sent back prepaid (unless otherwise indicated) by Kalamazoo Industries. Credit upon inspection at Kalamazoo Industries. All returns will be subject to a 10% restock charge. Used merchandise is non-returnable. No returns will be accepted after one year of invoice date.

BELT SANDER SAFETY

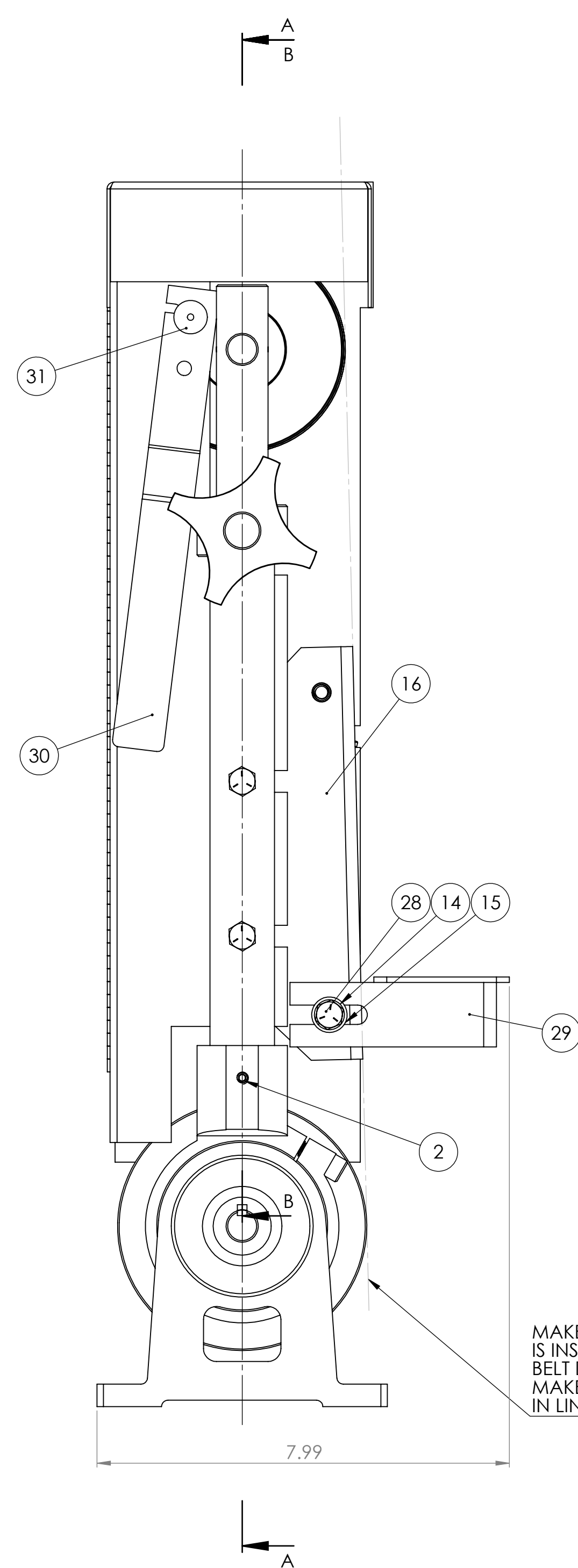
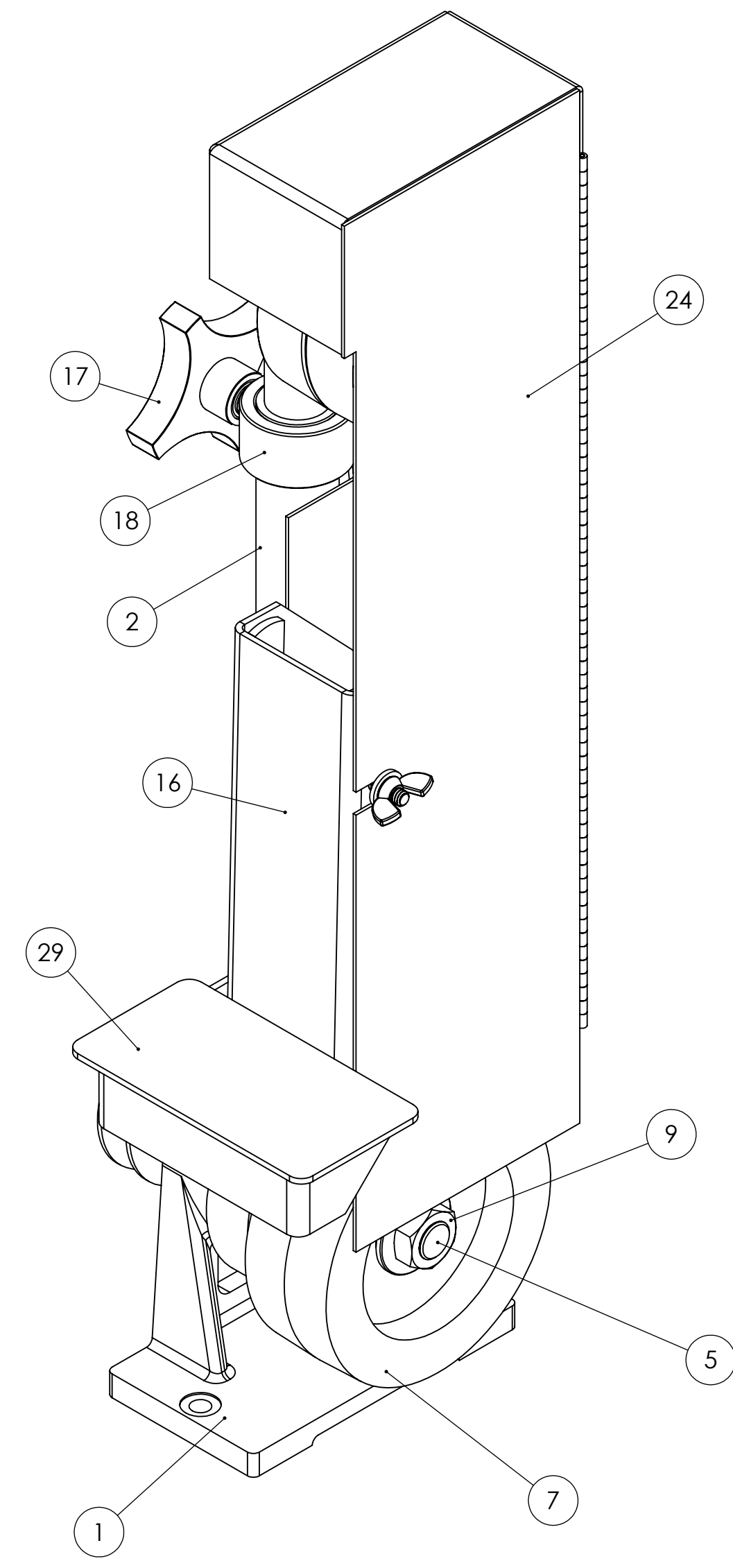
- READ THE OPERATING INSTRUCTIONS BEFORE RUNNING MACHINE.
- ALWAYS WEAR SAFETY GLASSES OR A FULL FACE SHIELD FOR PROTECTION.
- KEEP HANDS CLEAR OF THE SANDING AREA.
- NEAR WEAR GLOVES OR LOOSE FITTING CLOTHES WHEN OPERATING THIS MACHINE.
- ALWAYS KEEP HAIR TIED BACK OR COVERED.
- LET MACHINE ROTATION COME TO A FULL STOP BEFORE CHANGING BELT.
- KEEP SAFETY GUARDS IN PLACE. DO NOT ALTER GUARD OR MACHINE IN ANYWAY. ANY ALTERATIONS TO GUARDS OR MACHINE COULD CAUSE SERIOUS INJURY.
- ALL BELT SANDERS SHOULD BE OPERATED IN A WELL-VENTILATED AREA. THE DUST CREATED WHEN SOME MATERIALS ARE SANDED CAN BE HARMFUL. DUST MASKS ARE RECOMMEND AS A PRACTICAL MEAN OF MINIMIZING DUST INHALATION. FUMES FROM OTHER OTHER SOURCES CAN ALSO CAUSES FIRES WHEN INTACT WITH SANDING SPARK.
- SPARKS CREATED BY SANDING SHOULD BE DIRECTED DOWNWARD AND AWAY FROM THE FACE AND BODY. DON NOT GRIND NEAR FLAMMABLE MATERIAL.
- ELECTRIC SANDING MACHINES ARE NOT INTENDED FOR USE IN OR NEAR WATER. THIS INCLUDES AN OPERATOR STANDING ON A WET FLOOR OR WORKING AROUND CONTAINERS OF WATER OR OTHER CONDUCTIVE LIQUIDS.



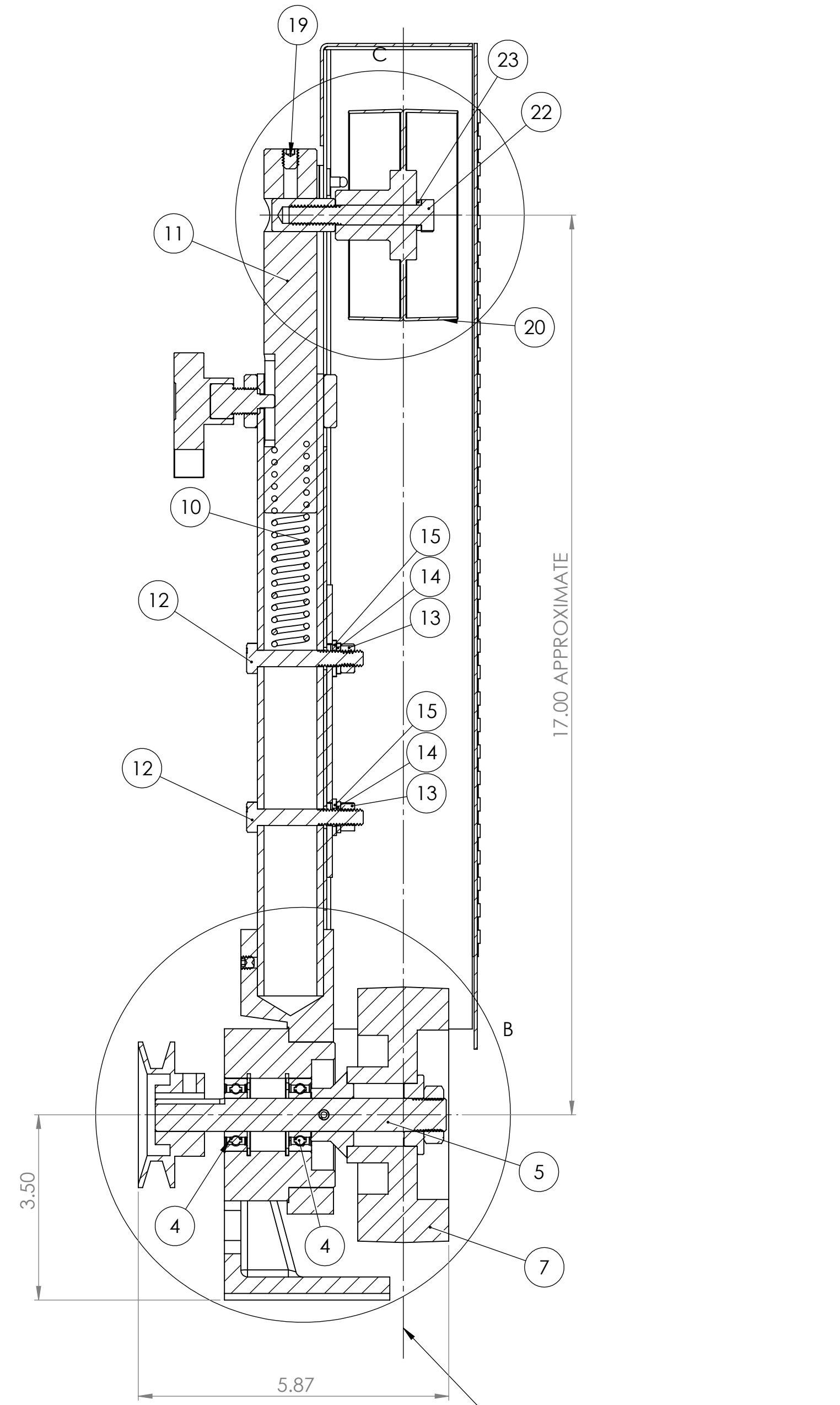
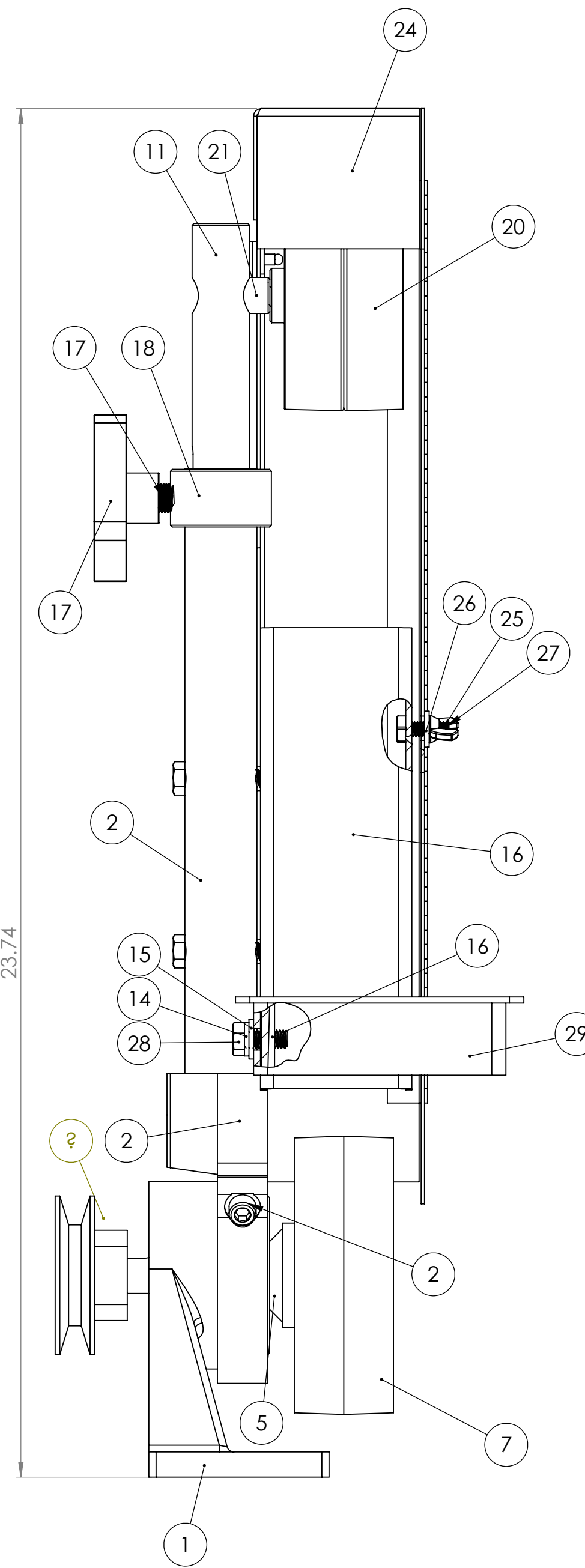
DETAIL B
SCALE 1 : 1
DRIVE SPINDLE, PULLEY
AND DRIVE WHEEL DETAIL



DETAIL C
SCALE 1 : 1



MAKE SURE THAT THE PLATEN
IS INSTALLED IN LINE WITH THE
BELT DURING THE ASSEMBLY PROCESS.
MAKE SURE THAT THE OSHA GUARD IS
IN LINE WITH THE PLATEN.



SECTION A-A

ITEM NO.	PART NUMBER	DESCRIPTION	QTY.
1	041-011	BASE BRACKET FOR 2FS AND DS10-2M	1
2	291-009	2FS, 2SK7 FRAME ASSEMBLY BRACKET AND TUBE (FOR OLD STYLE DS10-2M)	1
3	641-015	RETAINING RING N5000-137 BLACK PHOSPHATE FOR 2FS, 2FS72 BASE	2
4	044-007	K10 BEARING	2
5	701-009	SPINDLE W FLANGE FOR 2FS	1
6	560-004/M	MOTOR PULLEY FOR K7B, K8B, 2FS, 2FS72M	1
7	936-004	2FS DRIVE WHEEL	1
8	292-017	LOOSE FLANGE FOR 2FS	1
9	FJNZ063	5/8-18 F H JAM NUT Z	1
10	697-013	TENSION SPRING FOR 2FS, 2FS72, 2FSM, BG142, 2FS72M, K12-14B	1
11	645-008	TENSION ROD FOR 2FS, 2FSM, 2FS72, 2SK7 SANDERS	1
12	HHCS031032	5/16-18 X 2 HHCS GR5 Z	2
13	FHN5031	5/16-18 FHN GR5 ZINC	2
14	SLWZ031	5/16 SPLIT L/W Z	3
15	UPFWZ031	5/16 USS F/W Z	3
16	550-007	STANDARD PLATEN FOR 2 X 48 SANDERS	1
17	441-011	TRACKING KNOB FOR 2FS, 2FS72, 2FSM, 2SK7 SANDERS	1
18	123-004	TRACKING COLLAR FOR 2FS, 2FS72, 2FSM, 2SK7, BG142	1
19	SSKA031006	5/16-18 X 3/8 SOC SET KNURL PT.	1
20	936-030	STEEL IDLER PULLEY, NEW STYLE FOR 2FS, 2FSM, 2SK7	1
21	004-006	ADAPTER FOR 936-003 IDLER PULLEY	1
22	HHCS037040	3/8-16 X 2-1/2 HHCS GR5 Z	1
23	SLWZ037	3/8 SPLIT L/W Z	1
24	342-018	GUARD, HINGED OSHA FOR 2FS, 2FSM, 2SK7 SANDERS	1
25	WGNZ025	1/4-20 FORGED WING NUT Z	1
26	UPFWZ025	1/4 USS F/W Z	3
27	HHCS025012	1/4-20 X 3/4 HHCS GR5 Z	1
28	HHCS031012	5/16-18 X 3/4 HHCS GR5 Z	1
29	829-004	WORK TABLE FOR 7", 4", DS10-4 SANDERS	1
30	455-012	LEVER FOR 2FSM	1
31	PR-AD66ABSLF	3/16 X 1/4-3/8 POP RIVET LARGE FLANGE ALUM/ALUM FOP	1
32	MSWZ010	#10 M.S. F/W Z	1

PROPRIETARY/CONFIDENTIAL
THE INFORMATION CONTAINED IN THIS
DRAWING IS THE SOLE PROPERTY OF
KALAMAZOO. IT IS TO BE KEPT
UNREPRODUCED IN ANY FORM OR BY ANY
MEANS WITHOUT THE WRITTEN PERMISSION OF
KALAMAZOO. ANY REPRODUCTION OF THIS
DRAWING WITHOUT THE WRITTEN PERMISSION OF
KALAMAZOO IS PROHIBITED.

UNLESS OTHERWISE SPECIFIED:	NAME	DATE
DIMENSIONS ARE IN INCHES TOLERANCES:	DRAWN:	
FRACTIONS: 1/16	CHECKED:	
DECIMALS: .0005	ENG APPR:	
THREE PLACE DECIMAL: .001	WFO APPR:	
INTERFERENCE GEOMETRIC TOLERANCES PER:	D.A.	
MATERIAL:	COMMENTS:	
NEATNESS	USED ON	FINISH
APPLICATION	DO NOT SCALE DRAWING	

KALAMAZOO

TITLE: 2FS ASSEMBLY/NO MOTOR

SIZE: DWG. NO. E 2FS ASSEMBLY

SCALE: 1:2 WEIGHT: SHEET 1 OF 1